

PARTS LIST

[RX-DP10VBK]

[RX-DP10VSL]

* All printed circuit boards and its assemblies are not available as service parts.

RX-DP10VBK
Area suffix
J ----- U.S.A.
RX-DP10VSL
Area suffix
C ----- Canada

- Contents -

Exploded view of general assembly and parts list (Block No.M1)	3- 3
Electrical parts list (Block No.01~06)	3- 8
Packing materials and accessories parts list (Block No.M3,M5)	3-36

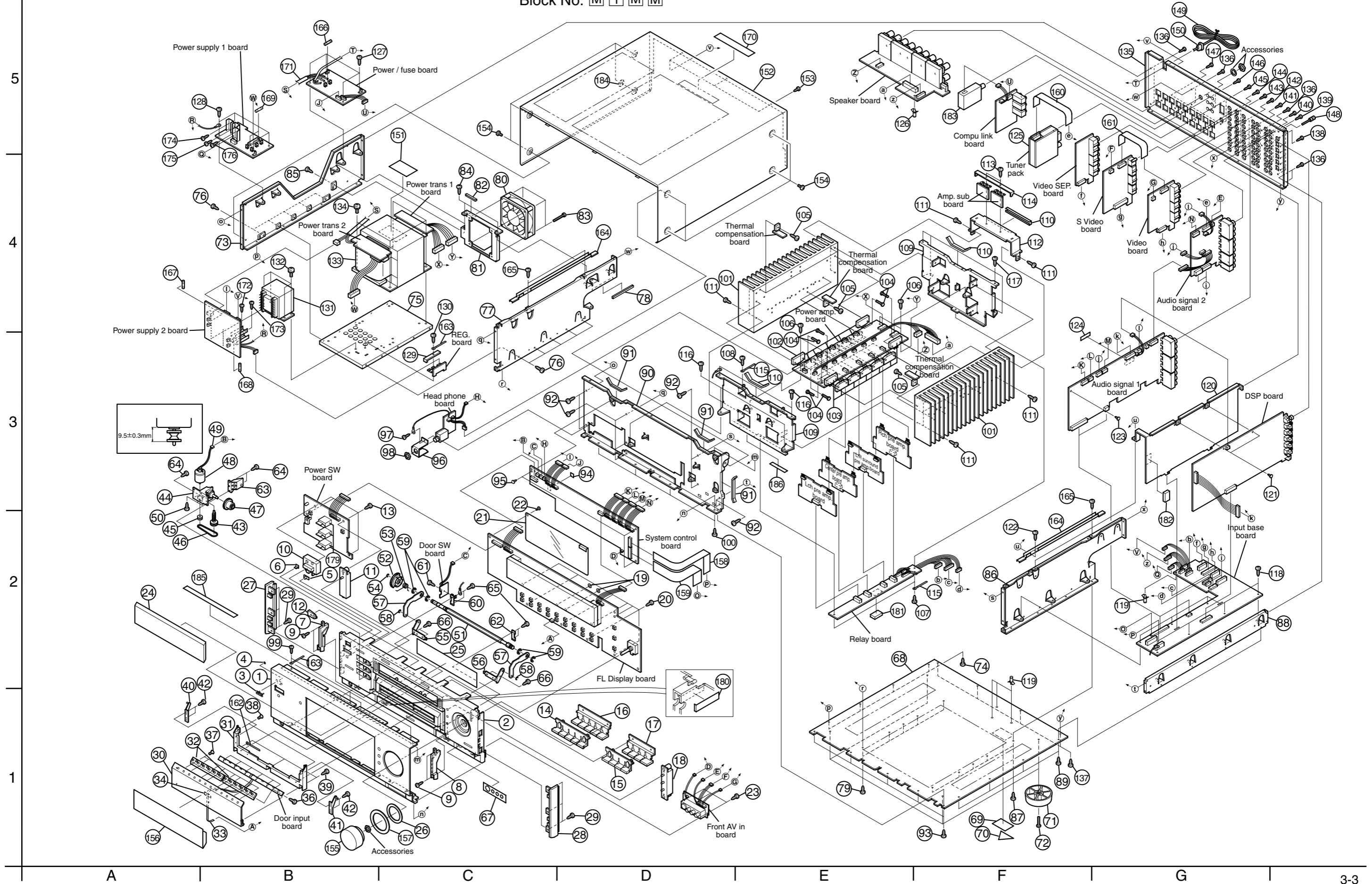
RX-DP10VBK/RX-DP10VSL

RX-DP10RSL

< M E M O >

Exploded view of general assembly and parts list

Block No. **M 1 M M**



RX-DP10VBK/RX-DP10VSL
RX-DP10RSL

RX-DP10VBK/RX-DP10VSL
RX-DP10RSL

■ Parts list (General assembly)

Block No. M1MM

■ Parts list (General assembly)

Block No. M1MM

△	Item	Parts number	Parts name	Q'ty	Description	Area
	1	LV10535-011A	FRONT PANEL	1		C
		LV10535-015A	FRONT PANEL	1		J
	2	LV10536-018A	FRONT BASE	1		C
		LV10536-020A	FRONT BASE	1		J
	3	VJD5429-002SS	JVC MARK	1		C
		VJD5429-001SS	JVC MARK	1		J
	4	E60912-003	SPEED NUT	1		
	5	E408131-001	REMOTE LENS	1		C
		E408131-002	REMOTE LENS	1		J
	6	LV42395-001A	INDICATOR	1		
	7	LV32831-002A	GUIDE(L)	1		
	8	LV32832-002A	GUIDE(R)	1		
	9	QYSDSF2608M	TAP SCREW	4	GUIDE	
	10	LV32812-001A	PUSH BUTTON	1		C
		LV32812-002A	PUSH BUTTON	1		J
	11	LV32813-003A	PUSH BUTTON	1		J
		LV32813-001A	PUSH BUTTON	1		C
	12	LV32826-003A	INDICATOR	3		
	13	QYSDSF2608Z	SCREW	4	P.C.B	
	14	LV32815-004A	PUSH BUTTON	1		C
		LV32815-005A	PUSH BUTTON	1		J
	15	LV32816-003A	PUSH BUTTON	1		J
		LV32816-001A	PUSH BUTTON	1		C
	16	LV32817-002A	PUSH BUTTON	1		C
		LV32817-005A	PUSH BUTTON	1		J
	17	LV32818-001A	PUSH BUTTON	1		C
		LV32818-003A	PUSH BUTTON	1		J
	18	LV32814-002A	PUSH BUTTON	1		J
		LV32814-001A	PUSH BUTTON	1		C
	19	FSYS4004-004	WASHER	2		
	20	QYSDSF2608Z	SCREW	9	P.C.B	
	21	LV42684-001A	BARRIER	1		
	22	E310243-002	PLASTIC RIVET	1		
	23	QYSDSF2608Z	SCREW	3	F.VIDEO P.C.B	
	24	LV32811-001A	LENS	1		
	25	LV42095-003A	FL SCREEN	1		
	26	LV42726-001A	VOL.SPACER	1		
	27	LV21063-001A	SIDE FITTING(L)	1		C
		LV21063-002A	SIDE FITTING(L)	1		J
	28	LV21064-001A	SIDE FITTING(R)	1		C
		LV21064-002A	SIDE FITTING(R)	1		J
	29	QYSBSF3008Z	SCREW	6	S.FITTING	
	30	LV21061-006A	DOOR	1		J
		LV21061-005A	DOOR	1		C
	31	LV21062-003A	DOOR BASE	1		C
		LV21062-004A	DOOR BASE	1		J
	32	LV21065-001A	PUSH BUTTON	2		C
		LV21065-002A	PUSH BUTTON	2		J

△	Item	Parts number	Parts name	Q'ty	Description	Area
	33	WJT0073-001A	E-CARD WIRE	1		
	34	LV30225-074A	SPACER	1		
	36	QYSDSF2004Z	SCREW	6	P.C.B	
	37	QYSSSG2004Z	SCREW	8	DOOR-BUTTON	
	38	QYSSSG2004Z	SCREW	2	DOOR UPPER	
	39	QYSDSF2606Z	SCREW	3	DOOR LOWER	
	40	LV32835-002A	G.P. BKT(L)ASSY	1		
	41	LV32836-002A	G.P.BKT(R)ASSY	1		
	42	QYSDSF2606Z	SCREW	4	D.BASE-BKT	
	43	LV42478-001A	WORM GEAR	1		
	44	LV32837-002A	MOTOR BASE	1		
	45	LV41536-201A	PULLEY	1		
	46	LV41598-001A	BELT	1		
	47	LV32838-001A	WORM WHEEL	1		
	48	QAR0100-001	DC MOTOR	1		
	49	WJM0233-001A	E-SI C WIRE C-F	1		
	50	QYSPSP3004Z	SCREW	2	M.BASE-DC MOTOR	
	51	LV32830-001A	MAIN SHAFT	1		
	52	LV42400-001A	MAIN GEAR	1		
	53	LV42729-001A	SPRING	1		
	54	QYREE3000X	E RING	1		
	55	LV32833-002A	H.BKT(L) ASS'Y	1		
	56	LV32834-002A	H.BKT(R) ASS'Y	1		
	57	LV42396-001A	ARM	2		
	58	QYREE3000X	E RING	2		
	59	QYREE6000X	E RING	4		
	60	LV42397-001A	S.STOPPER(L)	1		
	61	QYSDSG2606Z	SCREW	1	P.C.B	
	62	LV42398-001A	S.STOPPER(R)	1		
	63	LV32839-001A	WHEEL STOPPER	1		
	64	QYSBSF3008Z	SCREW	3	W.STOPPER & M.ASSY	
	65	QYSDSF2608Z	SCREW	4	S.STOPPER	
	66	QYSDSF2606M	SCREW	4	D.BASE-H.BKT	
	67	LV42426-005A	SHEET	1		J
		LV42426-004A	SHEET	1		C
	68	LV10537-001A	BOTTOM PLATE	1		
	69	E70115-002	CAUTION LABEL	1		C
	70	VND4113-001	G CAUTION	1		J
	71	QZF6018-001	FOOT	4		J
		QZF6018-003	FOOT	4		C
	72	QYSBST3010Z	T.SCREW	4	FOOT	
	73	LV10541-002A	SIDE BKT(L)	1		
	74	QYSBSGG3008E	T.SCREW	4		
	75	LV10542-003A	TRANS BASE	1		
	76	QYSDSG3008E	T.SCREW	10	C.BKT & S.BKT	
	77	LV10543-002A	CENTER BKT(L)	1		
	78	LV30225-071A	SPACER	1		
	79	QYSBSGG3008E	T.SCREW	5	BOTTOM	

■ Parts list (General assembly)

Block No. M1MM

△	Item	Parts number	Parts name	Q'ty	Description	Area
	80	QAR0198-001	FAN MOTOR	1		
	81	LV33162-001A	FAN BKT	1		
	82	LV30225-074A	SPACER	1		
	83	QYSBSG3030Z	T.SCREW	4		
	84	QYSDSG3008E	T.SCREW	2		
	85	QYSDSG3008E	T.SCREW	1		
	86	LV10544-001A	CENTER BKT(R)	1		
	87	QYSBSGG3008E	T.SCREW	5	BOTTOM	
	88	LV21066-001A	SIDE BKT(R)	1		
	89	QYSBSGG3008E	T.SCREW	4	BOTTOM	
	90	LV10539-001A	FRONT BKT	1		
	91	LV30225-071A	SPACER	3		
	92	QYSBSGG3008E	T.SCREW	9	C.BKT & S.BKT	
	93	QYSBSGG3008E	T.SCREW	5	BOTTOM	
	94	LV30225-0C8A	SPACER	1		
	95	E310243-002	PLASTIC RIVET	3		
	96	LV42094-003A	H.P BKT	1		
	97	QYSBSGG3008E	T.SCREW	1	H.P BKT	
	98	VKZ4150-001	SPECIAL NUT	1		
	99	QYSBSGG3008E	T.SCREW	3	F.PANEL UPPER	
	100	QYSBSGG3008E	T.SCREW	4	F.PANEL LOWER	
	101	LV32828-004A	HEAT SINK	2		
△	102	2SA1494/PG/-F1	TRANSISTOR	2	Q1715,Q1765	
△		2SA1494/PG/-F1	TRANSISTOR	3	Q715,Q765,Q815	
△		2SA1494/PG/-F1	TRANSISTOR	2	Q1615,Q1665	
△	103	2SC3858/PG/-F1	TRANSISTOR	3	Q714,Q764,Q814	
△		2SC3858/PG/-F1	TRANSISTOR	2	Q1614,Q1664	
△		2SC3858/PG/-F1	TRANSISTOR	2	Q1714,Q1764	
	104	E73525-003SS	SCREW	28	TRANSISTOR	
	105	QYSBSGG3010E	T.SCREW	7		
	106	QYSBSGG3010E	T.SCREW	4	P.C.B	
	107	QYSBSGG3010E	T.SCREW	2	P.C.B	
	108	QYSBSGG3010E	T.SCREW	1		
	109	LV21067-001A	H.SINK BKT	2		
	110	LV30225-071A	SPACER	3		
	111	QYSBSGG3010E	T.SCREW	8	H.SINK	
	112	LV32829-002A	H.SINK HOLDER	1		
	113	QYSDSG3008E	T.SCREW	2	H.SINK	
	114	LV42704-001A	HOLDER	1		
	115	VKZ4001-111	WIRE HOLDER	2		
	116	QYSBSGG3008E	T.SCREW	4	H.S ASSY FRONT	
	117	QYSBSGG3008E	T.SCREW	4	H.S ASSY REAR	
	118	QYSBSGG3008E	T.SCREW	7	P.C.B	
	119	E310244-003	FASTNER	4		
	120	LV21068-001A	SHIELD COVER	1		
	121	E310243-002	PLASTIC RIVET	2		
	122	QYSBSGG3008E	T.SCREW	1	C.BKT	
	123	E310243-002	PLASTIC RIVET	1		

■ Parts list (General assembly)

Block No. M1MM

△	Item	Parts number	Parts name	Q'ty	Description	Area
	124	LV30225-0C7A	SPACER	1		
	125	QAU0233-001	TUNER	1		
	126	E310244-003	FASTNER	1		
	127	QYSBSGG3008E	T.SCREW	4	PRIMARY	
	128	QYSBSGG3008E	T.SCREW	4	ANALOG P.SUPPLY	
	129	LV41603-001A	LEAF SPRING	1		
	130	QYSDSG3008E	T.SCREW	1	LEAF SPRING	
△	131	QQT0336-001	POWER TRANSF	1	T41	
	132	QYSDSTL4008E	SPECIAL SCREW	4	TRANS.	
△	133	QQT0338-002	POWER TRANSF	1	T1	
	134	QYSDSTL4008E	SPECIAL SCREW	4	TRANS.	
	135	LV10540-008A	REAR PANEL	1		C
		LV10540-014A	REAR PANEL	1		J
	136	QYSBSGY3008E	SPECIAL SCREW	8	S.BKT/C.BKT	
	137	QYSBSGY3008E	SPECIAL SCREW	4	BOTTOM	
	138	QYSBSGY3008E	SPECIAL SCREW	7	DSP	
	139	QYSBSGY3008E	SPECIAL SCREW	1	SHIELD	
	140	QYSBSGY3008E	SPECIAL SCREW	3	AUDIO	
	141	QYSBSGY3008E	SPECIAL SCREW	4	V-AUDIO	
	142	QYSBSGY3008E	SPECIAL SCREW	5	C-V	
	143	QYSBSGY3008E	SPECIAL SCREW	6	S-V	
	144	QYSBSGY3008E	SPECIAL SCREW	3	COMP-V	
	145	QYSBSGY3008E	SPECIAL SCREW	2	TUNER	
	146	QYSBSGY3008E	SPECIAL SCREW	3	DCS	
	147	QYSBSGY3008E	SPECIAL SCREW	5	SPK	
	148	E409257-001	GND TERMINAL	1		
△	149	QMPD220-200-JD	POWER CORD	1		
△	150	QZW0033-001	STRAIN RELIEF	1		
	151	LV40911-001A	LABEL	1		
	152	LV10538-004A/S/	TOP COVER	1		J
		LV10538-003A/S/	TOP COVER	1		C
	153	QYSBSGY3008E	SPECIAL SCREW	3	TOP COVER	
	154	E406308-004	SPECIAL SCREW	8	TOP SL-MODEL	C
		E406308-003	SPECIAL SCREW	8	TOP SL-MODEL	J
	155	LV32819-001A	VOL KNOB	1		C
		LV32819-002A	VOL KNOB	1		J
	156	LV33243-001A	PROTECT SHEET	1		
	157	LV42405-001A	VOL RING	1		C
		LV42405-002A	VOL RING	1		J
	158	QUQ412-1619DJ	FFC WIRE	1	FRONT1-MOTHER	
	159	QUQ412-2019DJ	FFC WIRE	1	FRONT1-MOTHER	
	160	QUQ412-1513DJ	FFC WIRE	1	TUNER-AUDIO2	
	161	QUQ412-1605DJ	FFC WIRE	1	VIDEO1-VIDEO2	
	162	VKZ4001-018	WIRE HOLDER	1		
	163	VKZ4001-111S	WIRE CLAMP	2		
	164	LV33163-001A	BARRIER	2		
	165	QYSBSGG3008E	T.SCREW	3		
△	166	QMF51U1-8R0-J8	FUSE	1	F21	

■ Parts list (General assembly)

Block No. M1MM

△	Item	Parts number	Parts name	Q'ty	Description	Area
△	167	QMF51U1-1R0-J8	FUSE	1	F41	
△	168	QMF51U1-2R0-J8	FUSE	1	F42	
△	169	QMF51U1-2R0-J8	FUSE	2	F61,F62	
	170	E409396-002	CAUTION LABEL	1		C
		E409396-001	CAUTION LABEL	1		J
	171	QWTJ809-240	GLASS TUBE	1		
	172	QYSBSG3008E	T.SCREW	1	HS41	
	173	QYSBSG3008E	T.SCREW	1	HS42	
	174	QYSBSG3008E	T.SCREW	1	HS61	
	175	QYSBSG3008E	T.SCREW	1	HS62	
	176	QYSBSG3008E	T.SCREW	1	HS63	
	179	LV32827-002A	LED HOLDER	3	D1032-D1034	
	180	LV42783-001A	EARTH PLATE	1		
	181	LV30225-0D3A	SPACERW	1		
	182	LV30225-0D4A	SPACER	1		
	183	QAU0237-002	RF MODULE UNIT	1		
	184	LV30226-029A	SPACER	1		
	185	EXO150010H09S11	FELT SPACER	1		
	186	LV30225-074A	SPACER	1		

■ Electrical parts list (Amp. board)

Block No. 01

△	Item	Parts number	Parts name	Remarks	Area	△	Item	Parts number	Parts name	Remarks	Area
	C 701	QEZO538-106Z	E CAPACITOR	10MF			C 896	QEZO544-338	E CAPACITOR	3300MF	
	C 702	QCS32HJ-101Z	C CAPACITOR	100PF 5% 500V			CN711	QGB2510K2-07	CONNECTOR		
	C 703	QCS32HJ-101Z	C CAPACITOR	100PF 5% 500V			CN712	QGB2012K1-06	CONNECTOR		
	C 704	QFN31HJ-152Z	M CAPACITOR	1500PF 5% 50V			CN713	QGB2012K1-06	CONNECTOR		
	C 705	QCS32HJ-220Z	C CAPACITOR	22PF 5% 500V			CN721	QGB2510J1-07	CONNECTOR		
	C 707	QCS32HJ-221Z	C CAPACITOR	220PF 5% 500V			CN722	QGB2012J1-06	CONNECTOR		
	C 708	QFN31HJ-472Z	M CAPACITOR	4700PF 5% 50V			CN723	QGB2012J1-06	CONNECTOR		
	C 709	QCS32HJ-470Z	C CAPACITOR	47PF 5% 500V			CN738	QGA2501C1-03	3P CONNECTOR		
	C 710	QCS32HJ-470Z	C CAPACITOR	47PF 5% 500V			CN741	QGA3901C1-10	10P CONNECTOR		
	C 711	QEZO539-476Z	E CAPACITOR	47MF			CN742	QGA3901C1-04	4P CONNECTOR		
	C 712	QEZO539-476Z	E CAPACITOR	47MF			CN743	QGA2001C1-10	10P PLUG ASSY		
	C 715	QCS32HJ-330Z	C CAPACITOR	33PF 5% 500V			CN751	QGB2510K2-06	CONNECTOR		
	C 721	NCF21EZ-224X	E CAPACITOR				CN752	QGB2012K1-06	CONNECTOR		
	C 731	QEZO539-476Z	E CAPACITOR	47MF			CN753	QGB2012K1-06	CONNECTOR		
	C 735	QFLC1HJ-473Z	M CAPACITOR	0.047MF 5% 50V			CN761	QGB2510J1-06	CONNECTOR		
	C 736	QFLC1HJ-473Z	M CAPACITOR	0.047MF 5% 50V			CN762	QGB2012J1-06	CONNECTOR		
	C 741	QCS32HJ-100Z	C CAPACITOR	10PF 5% 500V			CN763	QGB2012J1-06	CONNECTOR		
	C 742	QEZO538-226Z	E CAPACITOR	22MF			CN771	QGB2510K2-05	CONNECTOR		
	C 745	QEZO544-338	E CAPACITOR	3300MF			CN772	QGB2012K1-06	CONNECTOR		
	C 746	QEZO544-338	E CAPACITOR	3300MF			CN773	QGB2012K1-06	CONNECTOR		
	C 751	QEZO538-106Z	E CAPACITOR	10MF			CN781	QGB2510J1-05	CONNECTOR		
	C 752	QCS32HJ-101Z	C CAPACITOR	100PF 5% 500V			CN782	QGB2012J1-06	CONNECTOR		
	C 753	QCS32HJ-101Z	C CAPACITOR	100PF 5% 500V			CN783	QGB2012J1-06	CONNECTOR		
	C 754	QFN31HJ-152Z	M CAPACITOR	1500PF 5% 50V			CN811	QGB2510K2-06	CONNECTOR		
	C 755	QCS32HJ-220Z	C CAPACITOR	22PF 5% 500V			CN812	QGB2012K1-06	CONNECTOR		
	C 757	QCS32HJ-221Z	C CAPACITOR	220PF 5% 500V			CN813	QGB2012K1-06	CONNECTOR		
	C 758	QFN31HJ-472Z	M CAPACITOR	4700PF 5% 50V			CN821	QGB2510J1-06	CONNECTOR		
	C 759	QCS32HJ-470Z	C CAPACITOR	47PF 5% 500V			CN822	QGB2012J1-06	CONNECTOR		
	C 760	QCS32HJ-470Z	C CAPACITOR	47PF 5% 500V			CN823	QGB2012J1-06	CONNECTOR		
	C 761	QEZO539-476Z	E CAPACITOR	47MF			C1601	QEZO538-106Z	E CAPACITOR	10MF	
	C 762	QEZO539-476Z	E CAPACITOR	47MF			C1602	QCS32HJ-101Z	C CAPACITOR	100PF 5% 500V	
	C 765	QCS32HJ-330Z	C CAPACITOR	33PF 5% 500V			C1603	QCS32HJ-101Z	C CAPACITOR	100PF 5% 500V	
	C 771	NCF21EZ-224X	E CAPACITOR				C1604	QFN31HJ-152Z	M CAPACITOR	1500PF 5% 50V	
	C 773	QFV72AJ-104Z	MF CAPACITOR	0.1MF 5% 100V			C1605	QCS32HJ-220Z	C CAPACITOR	22PF 5% 500V	
	C 774	QFV72AJ-104Z	MF CAPACITOR	0.1MF 5% 100V			C1607	QCS32HJ-221Z	C CAPACITOR	220PF 5% 500V	
	C 775	QFV72AJ-104Z	MF CAPACITOR	0.1MF 5% 100V			C1608	QFN31HJ-472Z	M CAPACITOR	4700PF 5% 50V	
	C 776	QFV72AJ-104Z	MF CAPACITOR	0.1MF 5% 100V			C1609	QCS32HJ-470Z	C CAPACITOR	47PF 5% 500V	
	C 781	QEZO539-476Z	E CAPACITOR	47MF			C1610	QCS32HJ-470Z	C CAPACITOR	47PF 5% 500V	
	C 785	QFLC1HJ-473Z	M CAPACITOR	0.047MF 5% 50V			C1611	QEZO539-476Z	E CAPACITOR	47MF	
	C 786	QFLC1HJ-473Z	M CAPACITOR	0.047MF 5% 50V			C1612	QEZO539-476Z	E CAPACITOR	47MF	
	C 791	QCS32HJ-100Z	C CAPACITOR	10PF 5% 500V			C1615	QCS32HJ-330Z	C CAPACITOR	33PF 5% 500V	
	C 792	QEZO538-226Z	E CAPACITOR	22MF			C1621	NCF21EZ-224X	E CAPACITOR		
	C 795	QEZO544-338	E CAPACITOR	3300MF			C1631	QEZO539-476Z	E CAPACITOR	47MF	
	C 796	QEZO544-338	E CAPACITOR	3300MF			C1635	QFLC1HJ-473Z	M CAPACITOR	0.047MF 5% 50V	
	C 801	QEZO538-106Z	E CAPACITOR	10MF			C1636	QFLC1HJ-473Z	M CAPACITOR	0.047MF 5% 50V	
	C 802	QCS32HJ-101Z	C CAPACITOR	100PF 5% 500V			C1641	QCS32HJ-100Z	C CAPACITOR	10PF 5% 500V	
	C 803	QCS32HJ-101Z	C CAPACITOR	100PF 5% 500V			C1642	QEZO538-226Z	E CAPACITOR	22MF	
	C 804	QFN31HJ-152Z	M CAPACITOR	1500PF 5% 50V			C1645	QEZO544-338	E CAPACITOR	3300MF	
	C 805	QCS32HJ-220Z	C CAPACITOR	22PF 5% 500V			C1646	QEZO544-338	E CAPACITOR	3300MF	
	C 807	QCS32HJ-221Z	C CAPACITOR	220PF 5% 500V			C1651	QEZO538-106Z	E CAPACITOR	10MF	
	C 808	QFN31HJ-472Z	M CAPACITOR	4700PF 5% 50V			C1652	QCS32HJ-101Z	C CAPACITOR	100PF 5% 500V	
	C 809	QCS32HJ-470Z	C CAPACITOR	47PF 5% 500V			C1653	QCS32HJ-101Z	C CAPACITOR	100PF 5% 500V	
	C 810	QCS32HJ-470Z	C CAPACITOR	47PF 5% 500V			C1654	QFN31HJ-152Z	M CAPACITOR	1500PF 5% 50V	
	C 811	QEZO539-476Z	E CAPACITOR	47MF			C1655	QCS32HJ-220Z	C CAPACITOR	22PF 5% 500V	
	C 812	QEZO539-476Z	E CAPACITOR	47MF			C1657	QCS32HJ-221Z	C CAPACITOR	220PF 5% 500V	
	C 815	QCS32HJ-330Z	C CAPACITOR	33PF 5% 500V			C1658	QFN31HJ-472Z	M CAPACITOR	4700PF 5% 50V	
	C 821	NCF21EZ-224X	E CAPACITOR				C1659	QCS32HJ-470Z	C CAPACITOR	47PF 5% 500V	
	C 831	QEZO539-476Z	E CAPACITOR	47MF			C1660	QCS32HJ-470Z	C CAPACITOR	47PF 5% 500V	
	C 835	QFLC1HJ-473Z	M CAPACITOR	0.047MF 5% 50V			C1661	QEZO539-476Z	E CAPACITOR	47MF	
	C 836	QFLC1HJ-473Z	M CAPACITOR	0.047MF 5% 50V			C1662	QEZO539-476Z	E CAPACITOR	47MF	
	C 841	QCS32HJ-100Z	C CAPACITOR	10PF 5% 500V			C1665	QCS32HJ-330Z	C CAPACITOR	33PF 5% 500V	
	C 842	QEZO538-226Z	E CAPACITOR	22MF			C1671	NCF21EZ-224X	E CAPACITOR		
	C 895	QEZO544-338	E CAPACITOR	3300MF			C1685	QFLC1HJ-473Z	M CAPACITOR	0.047MF 5% 50V	

■ Electrical parts list (Amp. board)

Block No. 01

△	Item	Parts number	Parts name	Remarks	Area	△	Item	Parts number	Parts name	Remarks	Area
	C1686	QFLC1HJ-473Z	M CAPACITOR	0.047MF 5% 50V			D 754	1SS133-T2	SI DIODE		
	C1691	QCS32HJ-100Z	C CAPACITOR	10PF 5% 500V			D 755	MTZJ3.9B-T2	ZENER DIODE		
	C1692	QEZ0538-226Z	E CAPACITOR	22MF			D 756	MTZJ3.9B-T2	ZENER DIODE		
	C1695	QEZ0544-338	E CAPACITOR	3300MF			D 757	1SS133-T2	SI DIODE		
	C1696	QEZ0544-338	E CAPACITOR	3300MF			D 758	UDZS24B-X	ZENER DIODE		
	C1701	QEZ0538-106Z	E CAPACITOR	10MF			D 759	UDZS24B-X	ZENER DIODE		
	C1702	QCS32HJ-101Z	C CAPACITOR	100PF 5% 500V			D 760	1SS355-X	DIODE		
	C1703	QCS32HJ-101Z	C CAPACITOR	100PF 5% 500V			D 761	1SS355-X	DIODE		
	C1704	QFN31HJ-152Z	M CAPACITOR	1500PF 5% 50V			D 762	1SS355-X	DIODE		
	C1705	QCS32HJ-220Z	C CAPACITOR	22PF 5% 500V			D 763	1SS355-X	DIODE		
	C1707	QCS32HJ-221Z	C CAPACITOR	220PF 5% 500V			D 765	HZ3.0BP	ZENER DIODE		
	C1708	QFN31HJ-472Z	M CAPACITOR	4700PF 5% 50V			D 771	1SS133-T2	SI DIODE		
	C1709	QCS32HJ-470Z	C CAPACITOR	47PF 5% 500V			D 772	1SS133-T2	SI DIODE		
	C1710	QCS32HJ-470Z	C CAPACITOR	47PF 5% 500V			D 773	1SS133-T2	SI DIODE		
	C1711	QEZ0539-476Z	E CAPACITOR	47MF			D 774	1SS133-T2	SI DIODE		
	C1712	QEZ0539-476Z	E CAPACITOR	47MF			D 802	1SS133-T2	SI DIODE		
	C1715	QCS32HJ-330Z	C CAPACITOR	33PF 5% 500V			D 803	1SS133-T2	SI DIODE		
	C1721	NCF21EZ-224X	E CAPACITOR				D 804	1SS133-T2	SI DIODE		
	C1735	QFLC1HJ-473Z	M CAPACITOR	0.047MF 5% 50V			D 805	MTZJ3.9B-T2	ZENER DIODE		
	C1736	QFLC1HJ-473Z	M CAPACITOR	0.047MF 5% 50V			D 806	MTZJ3.9B-T2	ZENER DIODE		
	C1741	QCS32HJ-100Z	C CAPACITOR	10PF 5% 500V			D 807	1SS133-T2	SI DIODE		
	C1742	QEZ0538-226Z	E CAPACITOR	22MF			D 808	UDZS24B-X	ZENER DIODE		
	C1745	QEZ0544-338	E CAPACITOR	3300MF			D 809	UDZS24B-X	ZENER DIODE		
	C1746	QEZ0544-338	E CAPACITOR	3300MF			D 810	1SS355-X	DIODE		
	C1751	QEZ0538-106Z	E CAPACITOR	10MF			D 811	1SS355-X	DIODE		
	C1752	QCS32HJ-101Z	C CAPACITOR	100PF 5% 500V			D 812	1SS355-X	DIODE		
	C1753	QCS32HJ-101Z	C CAPACITOR	100PF 5% 500V			D 813	1SS355-X	DIODE		
	C1754	QFN31HJ-152Z	M CAPACITOR	1500PF 5% 50V			D 815	HZ3.0BP	ZENER DIODE		
	C1755	QCS32HJ-220Z	C CAPACITOR	22PF 5% 500V			D1602	1SS133-T2	SI DIODE		
	C1757	QCS32HJ-221Z	C CAPACITOR	220PF 5% 500V			D1603	1SS133-T2	SI DIODE		
	C1758	QFN31HJ-472Z	M CAPACITOR	4700PF 5% 50V			D1604	1SS133-T2	SI DIODE		
	C1759	QCS32HJ-470Z	C CAPACITOR	47PF 5% 500V			D1605	MTZJ3.9B-T2	ZENER DIODE		
	C1760	QCS32HJ-470Z	C CAPACITOR	47PF 5% 500V			D1606	MTZJ3.9B-T2	ZENER DIODE		
	C1761	QEZ0539-476Z	E CAPACITOR	47MF			D1607	1SS133-T2	SI DIODE		
	C1762	QEZ0539-476Z	E CAPACITOR	47MF			D1608	UDZS24B-X	ZENER DIODE		
	C1765	QCS32HJ-330Z	C CAPACITOR	33PF 5% 500V			D1609	UDZS24B-X	ZENER DIODE		
	C1771	NCF21EZ-224X	E CAPACITOR				D1610	1SS355-X	DIODE		
	C1785	QFLC1HJ-473Z	M CAPACITOR	0.047MF 5% 50V			D1611	1SS355-X	DIODE		
	C1786	QFLC1HJ-473Z	M CAPACITOR	0.047MF 5% 50V			D1612	1SS355-X	DIODE		
	C1791	QCS32HJ-100Z	C CAPACITOR	10PF 5% 500V			D1613	1SS355-X	DIODE		
	C1792	QEZ0538-226Z	E CAPACITOR	22MF			D1615	HZ3.0BP	ZENER DIODE		
	C1795	QEZ0544-338	E CAPACITOR	3300MF			D1652	1SS133-T2	SI DIODE		
	C1796	QEZ0544-338	E CAPACITOR	3300MF			D1653	1SS133-T2	SI DIODE		
	C1971	QETN1HM-226Z	E CAPACITOR	22MF 20% 50V			D1654	1SS133-T2	SI DIODE		
	C1972	QETN1EM-476Z	E CAPACITOR	47MF 20% 25V			D1655	MTZJ3.9B-T2	ZENER DIODE		
	C1973	NCS21HJ-102X	C CAPACITOR				D1656	MTZJ3.9B-T2	ZENER DIODE		
	C1974	NCF21HZ-103X	C CAPACITOR				D1657	1SS133-T2	SI DIODE		
	C1975	QETN1HM-226Z	E CAPACITOR	22MF 20% 50V			D1658	UDZS24B-X	ZENER DIODE		
	D 702	1SS133-T2	SI DIODE				D1659	UDZS24B-X	ZENER DIODE		
	D 703	1SS133-T2	SI DIODE				D1660	1SS355-X	DIODE		
	D 704	1SS133-T2	SI DIODE				D1661	1SS355-X	DIODE		
	D 705	MTZJ3.9B-T2	ZENER DIODE				D1662	1SS355-X	DIODE		
	D 706	MTZJ3.9B-T2	ZENER DIODE				D1663	1SS355-X	DIODE		
	D 707	1SS133-T2	SI DIODE				D1665	HZ3.0BP	ZENER DIODE		
	D 708	UDZS24B-X	ZENER DIODE				D1702	1SS133-T2	SI DIODE		
	D 709	UDZS24B-X	ZENER DIODE				D1703	1SS133-T2	SI DIODE		
	D 710	1SS355-X	DIODE				D1704	1SS133-T2	SI DIODE		
	D 711	1SS355-X	DIODE				D1705	MTZJ3.9B-T2	ZENER DIODE		
	D 712	1SS355-X	DIODE				D1706	MTZJ3.9B-T2	ZENER DIODE		
	D 713	1SS355-X	DIODE				D1707	1SS133-T2	SI DIODE		
	D 715	HZ3.0BP	ZENER DIODE				D1708	UDZS24B-X	ZENER DIODE		
	D 752	1SS133-T2	SI DIODE				D1709	UDZS24B-X	ZENER DIODE		
	D 753	1SS133-T2	SI DIODE				D1710	1SS355-X	DIODE		

■ Electrical parts list (Amp. board)

Block No. 01

△	Item	Parts number	Parts name	Remarks	Area	△	Item	Parts number	Parts name	Remarks	Area
	D1711	1SS355-X	DIODE				Q 712	2SD669A/BC/	TRANSISTOR		
	D1712	1SS355-X	DIODE				Q 713	2SB649A/BC/	TRANSISTOR		
	D1713	1SS355-X	DIODE				Q 731	2SC2412K/RS/-X	CHIP TRANSISTOR		
	D1715	HZ3.0BP	ZENER DIODE				Q 732	DTA124EKA-X	DIGI TRANSISTOR		
	D1752	1SS133-T2	SI DIODE				Q 751	2SC1775A/E/-T	TRANSISTOR		
	D1753	1SS133-T2	SI DIODE				Q 752	2SC1775A/E/-T	TRANSISTOR		
	D1754	1SS133-T2	SI DIODE				Q 753	KTC3200/GL/-T	TRANSISTOR		
	D1755	MTZJ3.9B-T2	ZENER DIODE				Q 754	KTC3199/GL/-T	TRANSISTOR		
	D1756	MTZJ3.9B-T2	ZENER DIODE				Q 755	KTA1268/GL/-T	TRANSISTOR		
	D1757	1SS133-T2	SI DIODE				Q 756	KTA1267/YG/-T	TRANSISTOR		
	D1758	UDZS24B-X	ZENER DIODE				Q 757	KTA1268/GL/-T	TRANSISTOR		
	D1759	UDZS24B-X	ZENER DIODE				Q 758	KTC3200/GL/-T	TRANSISTOR		
	D1760	1SS355-X	DIODE				Q 759	KTC3199/GL/-T	TRANSISTOR		C
	D1761	1SS355-X	DIODE				Q 760	KTC3200/GL/-T	TRANSISTOR		
	D1762	1SS355-X	DIODE				Q 761	KTA1268/GL/-T	TRANSISTOR		
	D1763	1SS355-X	DIODE				Q 762	2SD669A/BC/	TRANSISTOR		
	D1765	HZ3.0BP	ZENER DIODE				Q 763	2SB649A/BC/	TRANSISTOR		
	D1901	1SS133-T2	SI DIODE				Q 771	DTD123TK-X	CHIP D TRANSISTOR		
	D1911	1SS133-T2	SI DIODE				Q 772	DTD123TK-X	CHIP D TRANSISTOR		
	D1921	1SS133-T2	SI DIODE				Q 773	DTD123TK-X	CHIP D TRANSISTOR		
	D1931	1SS133-T2	SI DIODE				Q 781	2SC2412K/RS/-X	CHIP TRANSISTOR		
	D1941	1SS133-T2	SI DIODE				Q 782	DTA124EKA-X	DIGI TRANSISTOR		
	D1951	1SS133-T2	SI DIODE				Q 801	2SC1775A/E/-T	TRANSISTOR		
	D1961	1SS133-T2	SI DIODE				Q 802	2SC1775A/E/-T	TRANSISTOR		
	D1981	1SS133-T2	SI DIODE				Q 803	KTC3200/GL/-T	TRANSISTOR		
	D1982	1SS133-T2	SI DIODE				Q 804	KTC3199/GL/-T	TRANSISTOR		
	D1983	1SS133-T2	SI DIODE				Q 805	KTA1268/GL/-T	TRANSISTOR		
	D1984	1SS133-T2	SI DIODE				Q 806	KTA1267/YG/-T	TRANSISTOR		
	D1985	1SS133-T2	SI DIODE				Q 807	KTA1267/YG/-T	TRANSISTOR		
	D1986	1SS133-T2	SI DIODE				Q 808	KTC3200/GL/-T	TRANSISTOR		
	D1991	1SS133-T2	SI DIODE				Q 809	KTC3199/GL/-T	TRANSISTOR		C
	D1992	1SS133-T2	SI DIODE				Q 810	KTC3200/GL/-T	TRANSISTOR		
	D1993	1SS133-T2	SI DIODE				Q 811	KTA1268/GL/-T	TRANSISTOR		
	D1994	1SS133-T2	SI DIODE				Q 812	2SD669A/BC/	TRANSISTOR		
	D1995	1SS133-T2	SI DIODE				Q 813	2SB649A/BC/	TRANSISTOR		
	D1996	1SS133-T2	SI DIODE				Q 831	2SC2412K/RS/-X	CHIP TRANSISTOR		
	EP701	QNZ0136-001Z	EARTH PLATE				Q 832	DTA124EKA-X	DIGI TRANSISTOR		
	IC601	VC5022-2	IC				Q1601	2SC1775A/E/-T	TRANSISTOR		
	IC602	VC5022-2	IC				Q1602	2SC1775A/E/-T	TRANSISTOR		
	IC603	VC5022-2	IC				Q1603	KTC3200/GL/-T	TRANSISTOR		
	IC604	VC5022-2	IC				Q1604	KTC3199/GL/-T	TRANSISTOR		
	IC605	VC5022-2	IC				Q1605	KTA1268/GL/-T	TRANSISTOR		
	IC606	VC5022-2	IC				Q1606	KTA1267/YG/-T	TRANSISTOR		
	IC607	VC5022-2	IC				Q1607	KTA1268/GL/-T	TRANSISTOR		
	IC951	TA7317P	IC				Q1608	KTC3200/GL/-T	TRANSISTOR		
	L 701	QQLZ003-1R0	INDUCTOR				Q1609	KTC3199/GL/-T	TRANSISTOR		C
	L 751	QQLZ003-1R0	INDUCTOR				Q1610	KTC3200/GL/-T	TRANSISTOR		
	L 801	QQLZ003-1R0	INDUCTOR				Q1611	KTA1268/GL/-T	TRANSISTOR		
	L1601	QQLZ003-1R0	INDUCTOR				Q1612	2SD669A/BC/	TRANSISTOR		
	L1651	QQLZ003-1R0	INDUCTOR				Q1613	2SB649A/BC/	TRANSISTOR		
	L1701	QQLZ003-1R0	INDUCTOR				Q1631	2SC2412K/RS/-X	CHIP TRANSISTOR		
	L1751	QQLZ003-1R0	INDUCTOR				Q1632	DTA124EKA-X	DIGI TRANSISTOR		
	Q 701	2SC1775A/E/-T	TRANSISTOR				Q1651	2SC1775A/E/-T	TRANSISTOR		
	Q 702	2SC1775A/E/-T	TRANSISTOR				Q1652	2SC1775A/E/-T	TRANSISTOR		
	Q 703	KTC3200/GL/-T	TRANSISTOR				Q1653	KTC3200/GL/-T	TRANSISTOR		
	Q 704	KTC3199/GL/-T	TRANSISTOR				Q1654	KTC3199/GL/-T	TRANSISTOR		
	Q 705	KTA1268/GL/-T	TRANSISTOR				Q1655	KTA1268/GL/-T	TRANSISTOR		
	Q 706	KTA1267/YG/-T	TRANSISTOR				Q1656	KTA1267/YG/-T	TRANSISTOR		
	Q 707	KTA1268/GL/-T	TRANSISTOR				Q1657	KTA1268/GL/-T	TRANSISTOR		
	Q 708	KTC3200/GL/-T	TRANSISTOR				Q1658	KTC3200/GL/-T	TRANSISTOR		
	Q 709	KTC3199/GL/-T	TRANSISTOR		C		Q1659	KTC3199/GL/-T	TRANSISTOR		C
	Q 710	KTC3200/GL/-T	TRANSISTOR				Q1660	KTC3200/GL/-T	TRANSISTOR		
	Q 711	KTA1268/GL/-T	TRANSISTOR				Q1661	KTA1268/GL/-T	TRANSISTOR		

■ Electrical parts list (Amp. board)

Block No. 01

△	Item	Parts number	Parts name	Remarks	Area	△	Item	Parts number	Parts name	Remarks	Area
	Q1662	2SD669A/BC/	TRANSISTOR				R 716	QRE141J-680Y	C RESISTOR	68 5% 1/4W	
	Q1663	2SB649A/BC/	TRANSISTOR				R 717	QRE141J-331Y	C RESISTOR	330 5% 1/4W	
	Q1681	2SC2412K/RS/-X	CHIP TRANSISTOR				R 718	QRE141J-471Y	C RESISTOR	470 5% 1/4W	
	Q1682	DTA124EKA-X	DIGI TRANSISTOR				R 719	QRE141J-391Y	C RESISTOR	390 5% 1/4W	
	Q1701	2SC1775A/E/-T	TRANSISTOR				R 720	QRJ146J-121X	UNF C RESISTOR	120 5% 1/4W	
	Q1702	2SC1775A/E/-T	TRANSISTOR				R 721	QRJ146J-121X	UNF C RESISTOR	120 5% 1/4W	
	Q1703	KTC3200/GL/-T	TRANSISTOR				R 722	QRJ146J-272X	UNF C RESISTOR	2.7K 5% 1/4W	
	Q1704	KTC3199/GL/-T	TRANSISTOR				R 723	QRJ146J-120X	UNF C RESISTOR	12 5% 1/4W	
	Q1705	KTA1268/GL/-T	TRANSISTOR				R 724	QRJ146J-120X	UNF C RESISTOR	12 5% 1/4W	
	Q1706	KTA1267/YG/-T	TRANSISTOR				R 725	QRJ146J-271X	UNF C RESISTOR	270 5% 1/4W	
	Q1707	KTA1268/GL/-T	TRANSISTOR				R 726	QRJ146J-1R0X	UNF C RESISTOR	1.0 5% 1/4W	
	Q1708	KTC3200/GL/-T	TRANSISTOR				R 727	QRJ146J-1R0X	UNF C RESISTOR	1.0 5% 1/4W	
	Q1709	KTC3199/GL/-T	TRANSISTOR		C		R 728	QRZ0182-R10	EMIT RESISTOR	1/1W	
	Q1710	KTC3200/GL/-T	TRANSISTOR				R 729	QRZ0182-R10	EMIT RESISTOR	1/1W	
	Q1711	KTA1268/GL/-T	TRANSISTOR				R 731	QRL027J-472	UNF OMF RESISTOR	4.7K 5% 1/2W	
	Q1712	2SD669A/BC/	TRANSISTOR				R 732	NRSA02J-331X	MG RESISTOR		
	Q1713	2SB649A/BC/	TRANSISTOR				R 733	NRSA02J-103X	MG RESISTOR		
	Q1731	2SC2412K/RS/-X	CHIP TRANSISTOR				R 735	QRJ125J-330	UNF C RESISTOR	33 5% 1/2W	
	Q1732	DTA124EKA-X	DIGI TRANSISTOR				R 736	QRL027J-100	UNF OMF RESISTOR	10 5% 1/2W	
	Q1751	2SC1775A/E/-T	TRANSISTOR				R 741	QRA14CF-1003Y	MF RESISTOR	10 1/4W	
	Q1752	2SC1775A/E/-T	TRANSISTOR				R 742	QRA14CF-3601Y	MF RESISTOR	36 1/4W	
	Q1753	KTC3200/GL/-T	TRANSISTOR				R 751	QRA14CF-1001Y	MF RESISTOR	10 1/4W	
	Q1754	KTC3199/GL/-T	TRANSISTOR				R 752	QRA14CF-1003Y	MF RESISTOR	10 1/4W	
	Q1755	KTA1268/GL/-T	TRANSISTOR				R 753	QRE141J-102Y	C RESISTOR	1.0K 5% 1/4W	
	Q1756	KTA1267/YG/-T	TRANSISTOR				R 754	QRE141J-331Y	C RESISTOR	330 5% 1/4W	
	Q1757	KTA1268/GL/-T	TRANSISTOR				R 755	QRE141J-104Y	C RESISTOR	100K 5% 1/4W	
	Q1758	KTC3200/GL/-T	TRANSISTOR				R 756	QRE141J-202Y	C RESISTOR	2.0K 5% 1/4W	
	Q1759	KTC3199/GL/-T	TRANSISTOR		C		R 757	QRE141J-202Y	C RESISTOR	2.0K 5% 1/4W	
	Q1760	KTC3200/GL/-T	TRANSISTOR				R 758	QRE141J-101Y	C RESISTOR	100 5% 1/4W	
	Q1761	KTA1268/GL/-T	TRANSISTOR				R 759	QRJ146J-151X	UNF C RESISTOR	150 5% 1/4W	
	Q1762	2SD669A/BC/	TRANSISTOR				R 760	QRJ146J-562X	UNF C RESISTOR	5.6K 5% 1/4W	
	Q1763	2SB649A/BC/	TRANSISTOR				R 761	QRK126J-103X	UNF C RESISTOR	10K 5% 1/2W	
	Q1781	2SC2412K/RS/-X	CHIP TRANSISTOR				R 762	QRE141J-680Y	C RESISTOR	68 5% 1/4W	
	Q1782	DTA124EKA-X	DIGI TRANSISTOR				R 763	QRE141J-152Y	C RESISTOR	1.5K 5% 1/4W	
	Q1901	2SC3906K/RS/-X	HIP TRANSISTOR				R 764	QRE141J-333Y	C RESISTOR	33K 5% 1/4W	
	Q1911	2SC3906K/RS/-X	HIP TRANSISTOR				R 765	QRE141J-151Y	C RESISTOR	150 5% 1/4W	
	Q1921	2SC3906K/RS/-X	HIP TRANSISTOR				R 766	QRE141J-680Y	C RESISTOR	68 5% 1/4W	
	Q1931	2SC3906K/RS/-X	HIP TRANSISTOR				R 767	QRE141J-331Y	C RESISTOR	330 5% 1/4W	
	Q1941	2SC3906K/RS/-X	HIP TRANSISTOR				R 768	QRE141J-471Y	C RESISTOR	470 5% 1/4W	
	Q1951	2SC3906K/RS/-X	HIP TRANSISTOR				R 769	QRE141J-391Y	C RESISTOR	390 5% 1/4W	
	Q1961	2SC3906K/RS/-X	HIP TRANSISTOR				R 770	QRJ146J-121X	UNF C RESISTOR	120 5% 1/4W	
	Q1971	2SA1514K/RS/-X	HIP TRANSISTOR				R 771	QRJ146J-121X	UNF C RESISTOR	120 5% 1/4W	
	Q1991	KRC105M-T	D TRANSISTOR				R 772	QRJ146J-272X	UNF C RESISTOR	2.7K 5% 1/4W	
	Q1992	KRC105M-T	D TRANSISTOR				R 773	QRJ146J-120X	UNF C RESISTOR	12 5% 1/4W	
	Q1993	KRC105M-T	D TRANSISTOR				R 774	QRJ146J-120X	UNF C RESISTOR	12 5% 1/4W	
	Q1994	KRC105M-T	D TRANSISTOR				R 775	QRJ146J-271X	UNF C RESISTOR	270 5% 1/4W	
	Q1995	KRC105M-T	D TRANSISTOR				R 776	QRJ146J-1R0X	UNF C RESISTOR	1.0 5% 1/4W	
	Q1996	KRC105M-T	D TRANSISTOR				R 777	QRJ146J-1R0X	UNF C RESISTOR	1.0 5% 1/4W	
	R 701	QRA14CF-1001Y	MF RESISTOR	10 1/4W			R 778	QRZ0182-R10	EMIT RESISTOR	1/1W	
	R 702	QRA14CF-1003Y	MF RESISTOR	10 1/4W			R 779	QRZ0182-R10	EMIT RESISTOR	1/1W	
	R 703	QRE141J-102Y	C RESISTOR	1.0K 5% 1/4W			R 781	QRL027J-472	UNF OMF RESISTOR	4.7K 5% 1/2W	
	R 704	QRE141J-331Y	C RESISTOR	330 5% 1/4W			R 782	NRSA02J-331X	MG RESISTOR		
	R 705	QRE141J-104Y	C RESISTOR	100K 5% 1/4W			R 783	NRSA02J-103X	MG RESISTOR		
	R 706	QRE141J-202Y	C RESISTOR	2.0K 5% 1/4W			R 785	QRJ125J-330	UNF C RESISTOR	33 5% 1/2W	
	R 707	QRE141J-202Y	C RESISTOR	2.0K 5% 1/4W			R 786	QRL027J-100	UNF OMF RESISTOR	10 5% 1/2W	
	R 708	QRE141J-101Y	C RESISTOR	100 5% 1/4W			R 791	QRA14CF-1003Y	MF RESISTOR	10 1/4W	
	R 709	QRJ146J-151X	UNF C RESISTOR	150 5% 1/4W			R 792	QRA14CF-3601Y	MF RESISTOR	36 1/4W	
	R 710	QRJ146J-562X	UNF C RESISTOR	5.6K 5% 1/4W			R 796	QRJ146J-150X	UNF C RESISTOR	15 5% 1/4W	
	R 711	QRK126J-103X	UNF C RESISTOR	10K 5% 1/2W			R 797	QRJ146J-330X	UNF C RESISTOR	33 5% 1/4W	
	R 712	QRE141J-680Y	C RESISTOR	68 5% 1/4W			R 801	QRA14CF-1001Y	MF RESISTOR	10 1/4W	
	R 713	QRE141J-152Y	C RESISTOR	1.5K 5% 1/4W			R 802	QRA14CF-1003Y	MF RESISTOR	10 1/4W	
	R 714	QRE141J-333Y	C RESISTOR	33K 5% 1/4W			R 803	QRE141J-102Y	C RESISTOR	1.0K 5% 1/4W	
	R 715	QRE141J-151Y	C RESISTOR	150 5% 1/4W			R 804	QRE141J-331Y	C RESISTOR	330 5% 1/4W	

■ Electrical parts list (Amp. board)

Block No. 01

△	Item	Parts number	Parts name	Remarks	Area	△	Item	Parts number	Parts name	Remarks	Area
	R 805	QRE141J-104Y	C RESISTOR	100K 5% 1/4W			R1621	QRJ146J-121X	UNF C RESISTOR	120 5% 1/4W	
	R 806	QRE141J-202Y	C RESISTOR	2.0K 5% 1/4W			R1622	QRJ146J-272X	UNF C RESISTOR	2.7K 5% 1/4W	
	R 807	QRE141J-202Y	C RESISTOR	2.0K 5% 1/4W			R1623	QRJ146J-120X	UNF C RESISTOR	12 5% 1/4W	
	R 808	QRE141J-101Y	C RESISTOR	100 5% 1/4W			R1624	QRJ146J-120X	UNF C RESISTOR	12 5% 1/4W	
	R 809	QRJ146J-151X	UNF C RESISTOR	150 5% 1/4W			R1625	QRJ146J-271X	UNF C RESISTOR	270 5% 1/4W	
	R 810	QRJ146J-562X	UNF C RESISTOR	5.6K 5% 1/4W			R1626	QRJ146J-1R0X	UNF C RESISTOR	1.0 5% 1/4W	
	R 811	QRK126J-103X	UNF C RESISTOR	10K 5% 1/2W			R1627	QRJ146J-1R0X	UNF C RESISTOR	1.0 5% 1/4W	
	R 812	QRE141J-680Y	C RESISTOR	68 5% 1/4W			R1628	QRZ0182-R10	EMIT RESISTOR	1/1W	
	R 813	QRE141J-152Y	C RESISTOR	1.5K 5% 1/4W			R1629	QRZ0182-R10	EMIT RESISTOR	1/1W	
	R 814	QRE141J-333Y	C RESISTOR	33K 5% 1/4W			R1631	QRL027J-472	UNF OMF RESISTOR	4.7K 5% 1/2W	
	R 815	QRE141J-151Y	C RESISTOR	150 5% 1/4W			R1632	NRSA02J-331X	MG RESISTOR		
	R 816	QRE141J-680Y	C RESISTOR	68 5% 1/4W			R1633	NRSA02J-103X	MG RESISTOR		
	R 817	QRE141J-331Y	C RESISTOR	330 5% 1/4W			R1635	QRJ125J-330	UNF C RESISTOR	33 5% 1/2W	
	R 818	QRE141J-471Y	C RESISTOR	470 5% 1/4W			R1636	QRL027J-100	UNF OMF RESISTOR	10 5% 1/2W	
	R 819	QRE141J-391Y	C RESISTOR	390 5% 1/4W			R1641	QRA14CF-1003Y	MF RESISTOR	10 1/4W	
	R 820	QRJ146J-121X	UNF C RESISTOR	120 5% 1/4W			R1642	QRA14CF-3601Y	MF RESISTOR	36 1/4W	
	R 821	QRJ146J-121X	UNF C RESISTOR	120 5% 1/4W			R1651	QRA14CF-1001Y	MF RESISTOR	10 1/4W	
	R 822	QRJ146J-272X	UNF C RESISTOR	2.7K 5% 1/4W			R1652	QRA14CF-1003Y	MF RESISTOR	10 1/4W	
	R 823	QRJ146J-120X	UNF C RESISTOR	12 5% 1/4W			R1653	QRE141J-102Y	C RESISTOR	1.0K 5% 1/4W	
	R 824	QRJ146J-120X	UNF C RESISTOR	12 5% 1/4W			R1654	QRE141J-331Y	C RESISTOR	330 5% 1/4W	
	R 825	QRJ146J-271X	UNF C RESISTOR	270 5% 1/4W			R1655	QRE141J-104Y	C RESISTOR	100K 5% 1/4W	
	R 826	QRJ146J-1R0X	UNF C RESISTOR	1.0 5% 1/4W			R1656	QRE141J-202Y	C RESISTOR	2.0K 5% 1/4W	
	R 827	QRJ146J-1R0X	UNF C RESISTOR	1.0 5% 1/4W			R1657	QRE141J-202Y	C RESISTOR	2.0K 5% 1/4W	
	R 828	QRZ0182-R10	EMIT RESISTOR	1/1W			R1658	QRE141J-101Y	C RESISTOR	100 5% 1/4W	
	R 829	QRZ0182-R10	EMIT RESISTOR	1/1W			R1659	QRJ146J-151X	UNF C RESISTOR	150 5% 1/4W	
	R 831	QRL027J-472	UNF OMF RESISTOR	4.7K 5% 1/2W			R1660	QRJ146J-562X	UNF C RESISTOR	5.6K 5% 1/4W	
	R 832	NRSA02J-331X	MG RESISTOR				R1661	QRK126J-103X	UNF C RESISTOR	10K 5% 1/2W	
	R 833	NRSA02J-103X	MG RESISTOR				R1662	QRE141J-680Y	C RESISTOR	68 5% 1/4W	
	R 835	QRJ125J-330	UNF C RESISTOR	33 5% 1/2W			R1663	QRE141J-152Y	C RESISTOR	1.5K 5% 1/4W	
	R 836	QRL027J-100	UNF OMF RESISTOR	10 5% 1/2W			R1664	QRE141J-333Y	C RESISTOR	33K 5% 1/4W	
	R 841	QRA14CF-1003Y	MF RESISTOR	10 1/4W			R1665	QRE141J-151Y	C RESISTOR	150 5% 1/4W	
	R 842	QRA14CF-3601Y	MF RESISTOR	36 1/4W			R1666	QRE141J-680Y	C RESISTOR	68 5% 1/4W	
	RY751	QSK0112-001	RELAY				R1667	QRE141J-331Y	C RESISTOR	330 5% 1/4W	
△	RY771	QSK0131-001	RELAY				R1668	QRE141J-471Y	C RESISTOR	470 5% 1/4W	
△	RY772	QSK0131-001	RELAY				R1669	QRE141J-391Y	C RESISTOR	390 5% 1/4W	
△	RY773	QSK0131-001	RELAY				R1670	QRJ146J-121X	UNF C RESISTOR	120 5% 1/4W	
△	RY774	QSK0131-001	RELAY				R1671	QRJ146J-121X	UNF C RESISTOR	120 5% 1/4W	
	RY901	QSK0109-001	RELAY				R1672	QRJ146J-272X	UNF C RESISTOR	2.7K 5% 1/4W	
	RY902	QSK0109-001	RELAY				R1673	QRJ146J-120X	UNF C RESISTOR	12 5% 1/4W	
	RY903	QSK0109-001	RELAY				R1674	QRJ146J-120X	UNF C RESISTOR	12 5% 1/4W	
	RY904	QSK0109-001	RELAY				R1675	QRJ146J-271X	UNF C RESISTOR	270 5% 1/4W	
	RY905	QSK0109-001	RELAY				R1676	QRJ146J-1R0X	UNF C RESISTOR	1.0 5% 1/4W	
	RY906	QSK0109-001	RELAY				R1677	QRJ146J-1R0X	UNF C RESISTOR	1.0 5% 1/4W	
	R1601	QRA14CF-1001Y	MF RESISTOR	10 1/4W			R1678	QRZ0182-R10	EMIT RESISTOR	1/1W	
	R1602	QRA14CF-1003Y	MF RESISTOR	10 1/4W			R1679	QRZ0182-R10	EMIT RESISTOR	1/1W	
	R1603	QRE141J-102Y	C RESISTOR	1.0K 5% 1/4W			R1682	NRSA02J-331X	MG RESISTOR		
	R1604	QRE141J-331Y	C RESISTOR	330 5% 1/4W			R1683	NRSA02J-103X	MG RESISTOR		
	R1605	QRE141J-104Y	C RESISTOR	100K 5% 1/4W			R1685	QRJ125J-330	UNF C RESISTOR	33 5% 1/2W	
	R1606	QRE141J-202Y	C RESISTOR	2.0K 5% 1/4W			R1686	QRL027J-100	UNF OMF RESISTOR	10 5% 1/2W	
	R1607	QRE141J-202Y	C RESISTOR	2.0K 5% 1/4W			R1691	QRA14CF-1003Y	MF RESISTOR	10 1/4W	
	R1608	QRE141J-101Y	C RESISTOR	100 5% 1/4W			R1692	QRA14CF-3601Y	MF RESISTOR	36 1/4W	
	R1609	QRJ146J-151X	UNF C RESISTOR	150 5% 1/4W			R1701	QRA14CF-1001Y	MF RESISTOR	10 1/4W	
	R1610	QRJ146J-562X	UNF C RESISTOR	5.6K 5% 1/4W			R1702	QRA14CF-1003Y	MF RESISTOR	10 1/4W	
	R1611	QRK126J-103X	UNF C RESISTOR	10K 5% 1/2W			R1703	QRE141J-102Y	C RESISTOR	1.0K 5% 1/4W	
	R1612	QRE141J-680Y	C RESISTOR	68 5% 1/4W			R1704	QRE141J-331Y	C RESISTOR	330 5% 1/4W	
	R1613	QRE141J-152Y	C RESISTOR	1.5K 5% 1/4W			R1705	QRE141J-104Y	C RESISTOR	100K 5% 1/4W	
	R1614	QRE141J-333Y	C RESISTOR	33K 5% 1/4W			R1706	QRE141J-202Y	C RESISTOR	2.0K 5% 1/4W	
	R1615	QRE141J-151Y	C RESISTOR	150 5% 1/4W			R1707	QRE141J-202Y	C RESISTOR	2.0K 5% 1/4W	
	R1616	QRE141J-680Y	C RESISTOR	68 5% 1/4W			R1708	QRE141J-101Y	C RESISTOR	100 5% 1/4W	
	R1617	QRE141J-331Y	C RESISTOR	330 5% 1/4W			R1709	QRJ146J-151X	UNF C RESISTOR	150 5% 1/4W	
	R1618	QRE141J-471Y	C RESISTOR	470 5% 1/4W			R1710	QRJ146J-562X	UNF C RESISTOR	5.6K 5% 1/4W	
	R1619	QRE141J-391Y	C RESISTOR	390 5% 1/4W			R1711	QRK126J-103X	UNF C RESISTOR	10K 5% 1/2W	
	R1620	QRJ146J-121X	UNF C RESISTOR	120 5% 1/4W			R1712	QRE141J-680Y	C RESISTOR	68 5% 1/4W	

■ Electrical parts list (Amp. board)

Block No. 01

△	Item	Parts number	Parts name	Remarks	Area	△	Item	Parts number	Parts name	Remarks	Area
	R1713	QRE141J-152Y	C RESISTOR	1.5K 5% 1/4W			R1912	NRSA02J-153X	MG RESISTOR		
	R1714	QRE141J-333Y	C RESISTOR	33K 5% 1/4W			R1913	NRSA02J-123X	MG RESISTOR		
	R1715	QRE141J-151Y	C RESISTOR	150 5% 1/4W			R1914	NRSA02J-104X	MG RESISTOR		
	R1716	QRE141J-680Y	C RESISTOR	68 5% 1/4W			R1921	NRSA02J-122X	MG RESISTOR		
	R1717	QRE141J-331Y	C RESISTOR	330 5% 1/4W			R1922	NRSA02J-153X	MG RESISTOR		
	R1718	QRE141J-471Y	C RESISTOR	470 5% 1/4W			R1923	NRSA02J-123X	MG RESISTOR		
	R1719	QRE141J-391Y	C RESISTOR	390 5% 1/4W			R1924	NRSA02J-104X	MG RESISTOR		
	R1720	QRJ146J-121X	UNF C RESISTOR	120 5% 1/4W			R1931	NRSA02J-122X	MG RESISTOR		
	R1721	QRJ146J-121X	UNF C RESISTOR	120 5% 1/4W			R1932	NRSA02J-153X	MG RESISTOR		
	R1722	QRJ146J-272X	UNF C RESISTOR	2.7K 5% 1/4W			R1933	NRSA02J-123X	MG RESISTOR		
	R1723	QRJ146J-120X	UNF C RESISTOR	12 5% 1/4W			R1934	NRSA02J-104X	MG RESISTOR		
	R1724	QRJ146J-120X	UNF C RESISTOR	12 5% 1/4W			R1941	NRSA02J-122X	MG RESISTOR		
	R1725	QRJ146J-271X	UNF C RESISTOR	270 5% 1/4W			R1942	NRSA02J-153X	MG RESISTOR		
	R1726	QRJ146J-1R0X	UNF C RESISTOR	1.0 5% 1/4W			R1943	NRSA02J-123X	MG RESISTOR		
	R1727	QRJ146J-1R0X	UNF C RESISTOR	1.0 5% 1/4W			R1944	NRSA02J-104X	MG RESISTOR		
	R1728	QRZ0182-R10	EMIT RESISTOR	1/1W			R1951	NRSA02J-122X	MG RESISTOR		
	R1729	QRZ0182-R10	EMIT RESISTOR	1/1W			R1952	NRSA02J-153X	MG RESISTOR		
	R1732	NRSA02J-331X	MG RESISTOR				R1953	NRSA02J-123X	MG RESISTOR		
	R1733	NRSA02J-103X	MG RESISTOR				R1954	NRSA02J-104X	MG RESISTOR		
	R1735	QRJ125J-330	UNF C RESISTOR	33 5% 1/2W			R1961	NRSA02J-122X	MG RESISTOR		
	R1736	QRL027J-100	UNF OMF RESISTOR	10 5% 1/2W			R1962	NRSA02J-153X	MG RESISTOR		
	R1741	QRA14CF-1003Y	MF RESISTOR	10 1/4W			R1963	NRSA02J-123X	MG RESISTOR		
	R1742	QRA14CF-3601Y	MF RESISTOR	36 1/4W			R1964	NRSA02J-104X	MG RESISTOR		
	R1751	QRA14CF-1001Y	MF RESISTOR	10 1/4W			R1971	NRSA02J-103X	MG RESISTOR		
	R1752	QRA14CF-1003Y	MF RESISTOR	10 1/4W			R1972	NRSA02J-332X	MG RESISTOR		
	R1753	QRE141J-102Y	C RESISTOR	1.0K 5% 1/4W			R1973	NRSA02J-473X	MG RESISTOR		
	R1754	QRE141J-331Y	C RESISTOR	330 5% 1/4W			R1974	NRSA02J-563X	MG RESISTOR		
	R1755	QRE141J-104Y	C RESISTOR	100K 5% 1/4W			R1975	NRSA02J-683X	MG RESISTOR		
	R1756	QRE141J-202Y	C RESISTOR	2.0K 5% 1/4W			R1976	QRE141J-273Y	C RESISTOR	27K 5% 1/4W	
	R1757	QRE141J-202Y	C RESISTOR	2.0K 5% 1/4W			R1977	NRSA02J-224X	MG RESISTOR		
	R1758	QRE141J-101Y	C RESISTOR	100 5% 1/4W			R1978	QRE141J-223Y	C RESISTOR	22K 5% 1/4W	
	R1759	QRJ146J-151X	UNF C RESISTOR	150 5% 1/4W			R1979	NRSA02J-224X	MG RESISTOR		
	R1760	QRJ146J-562X	UNF C RESISTOR	5.6K 5% 1/4W			R1981	QRJ146J-330X	UNF C RESISTOR	33 5% 1/4W	
	R1761	QRK126J-103X	UNF C RESISTOR	10K 5% 1/2W			R1982	QRJ146J-330X	UNF C RESISTOR	33 5% 1/4W	
	R1762	QRE141J-680Y	C RESISTOR	68 5% 1/4W			R1983	QRJ146J-330X	UNF C RESISTOR	33 5% 1/4W	
	R1763	QRE141J-152Y	C RESISTOR	1.5K 5% 1/4W			R1984	QRJ146J-330X	UNF C RESISTOR	33 5% 1/4W	
	R1764	QRE141J-333Y	C RESISTOR	33K 5% 1/4W			R1985	QRJ146J-330X	UNF C RESISTOR	33 5% 1/4W	
	R1765	QRE141J-151Y	C RESISTOR	150 5% 1/4W			R1986	QRJ146J-330X	UNF C RESISTOR	33 5% 1/4W	
	R1766	QRE141J-680Y	C RESISTOR	68 5% 1/4W			S 901	QSW0509-001	SLIDE SWITCH		
	R1767	QRE141J-331Y	C RESISTOR	330 5% 1/4W			ST901	QNB0110-001	SPK TERMINAL		
	R1768	QRE141J-471Y	C RESISTOR	470 5% 1/4W			ST902	QNB0109-001	SPK TERMINAL		
	R1769	QRE141J-391Y	C RESISTOR	390 5% 1/4W			ST903	QNB0108-001	SPK TERMINAL		
	R1770	QRJ146J-121X	UNF C RESISTOR	120 5% 1/4W			TH701	QAD0010-351	THERMISTOR		
	R1771	QRJ146J-121X	UNF C RESISTOR	120 5% 1/4W			TH702	QAD0010-351	THERMISTOR		
	R1772	QRJ146J-272X	UNF C RESISTOR	2.7K 5% 1/4W			TH751	QAD0010-351	THERMISTOR		
	R1773	QRJ146J-120X	UNF C RESISTOR	12 5% 1/4W			TH752	QAD0010-351	THERMISTOR		
	R1774	QRJ146J-120X	UNF C RESISTOR	12 5% 1/4W			TH771	QAD0010-351	THERMISTOR		
	R1775	QRJ146J-271X	UNF C RESISTOR	270 5% 1/4W			TH772	QAD0010-351	THERMISTOR		
	R1776	QRJ146J-1R0X	UNF C RESISTOR	1.0 5% 1/4W			TH801	QAD0010-351	THERMISTOR		
	R1777	QRJ146J-1R0X	UNF C RESISTOR	1.0 5% 1/4W			VR701	QVP0008-501Z	SEMI V RESISTOR		
	R1778	QRZ0182-R10	EMIT RESISTOR	1/1W			VR702	QVP0008-501Z	SEMI V RESISTOR		
	R1779	QRZ0182-R10	EMIT RESISTOR	1/1W			VR751	QVP0008-501Z	SEMI V RESISTOR		
	R1782	NRSA02J-331X	MG RESISTOR				VR752	QVP0008-501Z	SEMI V RESISTOR		
	R1783	NRSA02J-103X	MG RESISTOR				VR771	QVP0008-501Z	SEMI V RESISTOR		
	R1785	QRJ125J-330	UNF C RESISTOR	33 5% 1/2W			VR772	QVP0008-501Z	SEMI V RESISTOR		
	R1786	QRL027J-100	UNF OMF RESISTOR	10 5% 1/2W			VR801	QVP0008-501Z	SEMI V RESISTOR		
	R1791	QRA14CF-1003Y	MF RESISTOR	10 1/4W			WR 83	QJK015-053200	SIN CR C-B WIRE		
	R1792	QRA14CF-3601Y	MF RESISTOR	36 1/4W			WR 84	QJK015-053402	SIN CR C-B WIRE		
	R1901	NRSA02J-122X	MG RESISTOR				WR701	QJK016-113801	SIN CR C-B WIRE		
	R1902	NRSA02J-153X	MG RESISTOR				WR702	QJK016-053800	SIN CR C-B WIRE		
	R1903	NRSA02J-123X	MG RESISTOR				WR703	QJK016-083603	SIN CR C-B WIRE		
	R1904	NRSA02J-104X	MG RESISTOR				WR711	WJK0139-001A	E-SI C WIRE C-B		
	R1911	NRSA02J-122X	MG RESISTOR				WR712	WJK0139-001A	E-SI C WIRE C-B		

RX-DP10VBK/RX-DP10VSL

RX-DP10RSL

■ Electrical parts list (Amp. board)

Block No. 01

△	Item	Parts number	Parts name	Remarks	Area
	WR713	WJK0139-002A	E-SI C WIRE C-B		
	WR714	WJK0139-003A	E-SI C WIRE C-B		
	WR715	WJK0139-002A	E-SI C WIRE C-B		
	WR716	WJK0140-001A	E-SI C WIRE C-B		
	WR717	WJK0140-001A	E-SI C WIRE C-B		
	WR731	WJK0128-001A	E-SI C WIRE C-B		
	WR736	WJK0129-001A	E-SI C WIRE C-B		
	WR741	QJL005-051003	SIN CR B-B WIRE		
	WR742	QJL005-051001	SIN CR B-B WIRE		

■ Electrical parts list

(Audio/video input & output board)

Block No. 02

△	Item	Parts number	Parts name	Remarks	Area	△	Item	Parts number	Parts name	Remarks	Area
	C 201	NCB31HK-331X	C CAPACITOR				C 343	NCB31HK-223X	C CAPACITOR		
	C 202	NCB31HK-331X	C CAPACITOR				C 344	NCB31HK-223X	C CAPACITOR		
	C 203	QETN1HM-475Z	E CAPACITOR	4.7MF 20% 50V			C 345	NCB31HK-561X	C CAPACITOR		
	C 204	QETN1HM-475Z	E CAPACITOR	4.7MF 20% 50V			C 363	QETN1HM-226Z	E CAPACITOR	22MF 20% 50V	
	C 205	NCS31HJ-101X	C CAPACITOR				C 365	QETN1HM-226Z	E CAPACITOR	22MF 20% 50V	
	C 206	NCS31HJ-101X	C CAPACITOR				C 369	QETN1HM-226Z	E CAPACITOR	22MF 20% 50V	
	C 207	QFN31HJ-472Z	M CAPACITOR	4700PF 5% 50V			C 401	QETN1HM-475Z	E CAPACITOR	4.7MF 20% 50V	
	C 208	QFN31HJ-472Z	M CAPACITOR	4700PF 5% 50V			C 402	QETN0JM-477Z	E CAPACITOR	470MF 20% 6.3V	
	C 209	QFN31HJ-153Z	M CAPACITOR	0.015MF 5% 50V			C 403	QETN1HM-475Z	E CAPACITOR	4.7MF 20% 50V	
	C 210	QFN31HJ-153Z	M CAPACITOR	0.015MF 5% 50V			C 404	QETN0JM-477Z	E CAPACITOR	470MF 20% 6.3V	
	C 211	QCS31HJ-331Z	C CAPACITOR	330PF 5% 50V			C 405	QETN1HM-475Z	E CAPACITOR	4.7MF 20% 50V	
	C 212	QCS31HJ-331Z	C CAPACITOR	330PF 5% 50V			C 406	QETN1HM-475Z	E CAPACITOR	4.7MF 20% 50V	
	C 213	QFN31HJ-272Z	M CAPACITOR	2700PF 5% 50V			C 407	QETN0JM-477Z	E CAPACITOR	470MF 20% 6.3V	
	C 214	QFN31HJ-272Z	M CAPACITOR	2700PF 5% 50V			C 408	QETN1EM-476Z	E CAPACITOR	47MF 20% 25V	
	C 215	NCS31HJ-101X	C CAPACITOR				C 409	NCB31HK-103X	C CAPACITOR		
	C 216	NCS31HJ-101X	C CAPACITOR				C 410	QETN1HM-475Z	E CAPACITOR	4.7MF 20% 50V	
	C 217	QETN1AM-227Z	E CAPACITOR	220MF 20% 10V			C 411	QETN1HM-107Z	E CAPACITOR	100MF 20% 50V	
	C 218	QETN1AM-227Z	E CAPACITOR	220MF 20% 10V			C 412	NCF21CZ-225X	C CAPACITOR		
	C 219	QETN1HM-475Z	E CAPACITOR	4.7MF 20% 50V			C 413	QETN1HM-475Z	E CAPACITOR	4.7MF 20% 50V	
	C 220	QETN1HM-475Z	E CAPACITOR	4.7MF 20% 50V			C 414	QETN1HM-475Z	E CAPACITOR	4.7MF 20% 50V	
	C 221	QFN31HJ-102Z	M CAPACITOR	1000PF 5% 50V			C 415	QETN1HM-475Z	E CAPACITOR	4.7MF 20% 50V	
	C 222	QFN31HJ-102Z	M CAPACITOR	1000PF 5% 50V			C 416	NCF31HZ-473X	C CAPACITOR		
	C 223	QETN1EM-476Z	E CAPACITOR	47MF 20% 25V			C 417	QETN1AM-477Z	E CAPACITOR	470MF 20% 10V	
	C 224	QETN1EM-476Z	E CAPACITOR	47MF 20% 25V			C 418	NCB31HK-103X	C CAPACITOR		
	C 225	NCB31HK-223X	C CAPACITOR				C 419	NCS31HJ-150X	C CAPACITOR		
	C 226	NCB31HK-223X	C CAPACITOR				C 420	NCS31HJ-100X	C CAPACITOR		
	C 231	QETN1EM-226Z	E CAPACITOR	22MF 20% 25V			C 421	NCS31HJ-470X	C CAPACITOR		
	C 232	QETN1EM-226Z	E CAPACITOR	22MF 20% 25V			C 422	NCS31HJ-270X	C CAPACITOR		
	C 233	NCB31HK-223X	C CAPACITOR				C 423	NCB31HK-102X	C CAPACITOR		
	C 234	NCB31HK-223X	C CAPACITOR				C 424	NCS31HJ-271X	C CAPACITOR		
	C 235	NCB31HK-561X	C CAPACITOR				C 425	NCS31HJ-121X	C CAPACITOR		
	C 241	QTE1H46-106Z	E CAPACITOR				C 426	NCS31HJ-470X	C CAPACITOR		
	C 242	QTE1H46-106Z	E CAPACITOR				C 427	NCS31HJ-470X	C CAPACITOR		
	C 243	QTE1H46-106Z	E CAPACITOR				C 428	NCS31HJ-470X	C CAPACITOR		
	C 244	QTE1H46-106Z	E CAPACITOR				C 431	NCF31HZ-473X	C CAPACITOR		
	C 245	QETN1EM-476Z	E CAPACITOR	47MF 20% 25V			C 432	QETN1HM-475Z	E CAPACITOR	4.7MF 20% 50V	
	C 246	QETN1EM-476Z	E CAPACITOR	47MF 20% 25V			C 433	NCF31HZ-473X	C CAPACITOR		
	C 247	NCB31HK-223X	C CAPACITOR				C 434	QETN0JM-477Z	E CAPACITOR	470MF 20% 6.3V	
	C 248	NCB31HK-223X	C CAPACITOR				C 435	NCF31HZ-473X	C CAPACITOR		
	C 271	QETN1EM-226Z	E CAPACITOR	22MF 20% 25V			C 436	QETN1HM-475Z	E CAPACITOR	4.7MF 20% 50V	
	C 272	QETN1EM-226Z	E CAPACITOR	22MF 20% 25V			C 437	NCF31HZ-473X	C CAPACITOR		
	C 273	NCB31HK-223X	C CAPACITOR				C 438	QETN0JM-477Z	E CAPACITOR	470MF 20% 6.3V	
	C 274	NCB31HK-223X	C CAPACITOR				C 439	NCF31HZ-473X	C CAPACITOR		
	C 275	NCB31HK-561X	C CAPACITOR				C 440	QETN1HM-475Z	E CAPACITOR	4.7MF 20% 50V	
	C 276	QETN1EM-226Z	E CAPACITOR	22MF 20% 25V			C 441	NCF31HZ-473X	C CAPACITOR		
	C 277	QETN1EM-226Z	E CAPACITOR	22MF 20% 25V			C 442	QETN1HM-475Z	E CAPACITOR	4.7MF 20% 50V	
	C 278	NCB31HK-223X	C CAPACITOR				C 443	NCF31HZ-473X	C CAPACITOR		
	C 279	NCB31HK-223X	C CAPACITOR				C 444	QETN0JM-477Z	E CAPACITOR	470MF 20% 6.3V	
	C 280	NCB31HK-561X	C CAPACITOR				C 445	NCF31HZ-473X	C CAPACITOR		
	C 281	QETN1EM-226Z	E CAPACITOR	22MF 20% 25V			C 446	QETN1HM-475Z	E CAPACITOR	4.7MF 20% 50V	
	C 282	QETN1EM-226Z	E CAPACITOR	22MF 20% 25V			C 447	QETN1EM-476Z	E CAPACITOR	47MF 20% 25V	
	C 283	NCB31HK-223X	C CAPACITOR				C 448	QETN1EM-476Z	E CAPACITOR	47MF 20% 25V	
	C 284	NCB31HK-223X	C CAPACITOR				C 449	NCB31HK-103X	C CAPACITOR		
	C 285	NCB31HK-561X	C CAPACITOR				C 450	NCB31HK-103X	C CAPACITOR		
	C 301	QETN1HM-226Z	E CAPACITOR	22MF 20% 50V			C 451	QETN1HM-475Z	E CAPACITOR	4.7MF 20% 50V	
	C 311	NCS31HJ-221X	C CAPACITOR				C 452	NCF31HZ-473X	C CAPACITOR		
	C 312	NCS31HJ-221X	C CAPACITOR				C 453	NCS31HJ-470X	C CAPACITOR		
	C 313	NCS31HJ-221X	C CAPACITOR				C 454	NCS31HJ-470X	C CAPACITOR		
	C 314	NCS31HJ-221X	C CAPACITOR				C 455	NCS31HJ-470X	C CAPACITOR		
	C 315	NCS31HJ-221X	C CAPACITOR				C 456	NCS31HJ-470X	C CAPACITOR		
	C 316	NCS31HJ-221X	C CAPACITOR				C 457	NCS31HJ-101X	C CAPACITOR		
	C 341	QETN1EM-226Z	E CAPACITOR	22MF 20% 25V			C 458	NCS31HJ-101X	C CAPACITOR		
	C 342	QETN1EM-226Z	E CAPACITOR	22MF 20% 25V			C 461	NCF31HZ-473X	C CAPACITOR		

■ Electrical parts list
(Audio/video input & outpat board)

Block No. 02

△	Item	Parts number	Parts name	Remarks	Area	△	Item	Parts number	Parts name	Remarks	Area
	C 462	NCB31HK-103X	C CAPACITOR				C2061	QTE1H46-475Z	E CAPACITOR		
	C 463	NCF31HZ-473X	C CAPACITOR				C2062	QTE1H46-475Z	E CAPACITOR		
	C 464	NCB31HK-103X	C CAPACITOR				C2063	QETN1EM-227Z	E CAPACITOR	220MF 20% 25V	
	C 465	NCF31HZ-473X	C CAPACITOR				C2064	QETN1EM-227Z	E CAPACITOR	220MF 20% 25V	
	C 466	NCB31HK-103X	C CAPACITOR				C2065	NCB31HK-223X	C CAPACITOR		
	C 467	NCF31HZ-473X	C CAPACITOR				C2066	NCB31HK-223X	C CAPACITOR		
	C 468	NCB31HK-103X	C CAPACITOR				C2067	QETN1HM-475Z	E CAPACITOR	4.7MF 20% 50V	
	C 469	NCB31HK-103X	C CAPACITOR				C2068	QETN1HM-475Z	E CAPACITOR	4.7MF 20% 50V	
	C 470	QETN1EM-476Z	E CAPACITOR	47MF 20% 25V			C2069	QETN1HM-475Z	E CAPACITOR	4.7MF 20% 50V	
	C 471	NCB31HK-103X	C CAPACITOR				C2070	QETN1HM-475Z	E CAPACITOR	4.7MF 20% 50V	
	CN203	QGA2001F1-15	15P PLUG ASSY				C2071	QETN1EM-227Z	E CAPACITOR	220MF 20% 25V	
	CN205	QGA2001F1-09	9P SOCKET				C2072	QETN1EM-227Z	E CAPACITOR	220MF 20% 25V	
	CN206	QGB2510K1-04	CONNECTOR				C2073	NCB31HK-223X	C CAPACITOR		
	CN207	QGA2501F1-03	CONNECTOR				C2074	NCB31HK-223X	C CAPACITOR		
	CN208	QGA2001F1-08	CONNECTOR				C2075	QETN1HM-475Z	E CAPACITOR	4.7MF 20% 50V	
	CN218	QGA2001F1-03	CONNECTOR				C2076	QETN1HM-475Z	E CAPACITOR	4.7MF 20% 50V	
	CN221	QGB2510K1-20	B TO B CONNE				C2077	QETN1HM-475Z	E CAPACITOR	4.7MF 20% 50V	
	CN223	QGA2001F1-11	11P CN RIG				C2078	QETN1HM-475Z	E CAPACITOR	4.7MF 20% 50V	
	CN224	QGA2001F1-07	CONNECTOR				C2079	QETN1EM-227Z	E CAPACITOR	220MF 20% 25V	
	CN234	QGA2001F1-06	6P PLUG ASSY				C2080	QETN1EM-227Z	E CAPACITOR	220MF 20% 25V	
	CN321	QGB1214K1-20S	CONNECTOR				C2081	NCB31HK-223X	C CAPACITOR		
	CN323	QGF1205F1-15	CONNECTOR				C2082	NCB31HK-223X	C CAPACITOR		
	CN324	QGA2001F1-09	9P SOCKET				C2101	QETN1EM-226Z	E CAPACITOR	22MF 20% 25V	
	CN325	QGB2510K2-07	CONNECTOR				C2102	QETN1EM-226Z	E CAPACITOR	22MF 20% 25V	
	CN401	QGB1214K1-16S	CONNECTOR				C2103	NCB31HK-223X	C CAPACITOR		
	CN402	QGF1205F1-16	CONNECTOR				C2104	NCB31HK-223X	C CAPACITOR		
	CN431	QGB2510K2-15	CONNECTOR				C2105	NCB31HK-561X	C CAPACITOR		
	CN432	QGF1205F1-16	CONNECTOR				C2111	QETN1EM-106Z	E CAPACITOR	10MF 20% 25V	
	C2001	QETN1EM-226Z	E CAPACITOR	22MF 20% 25V			C2112	QETN1EM-106Z	E CAPACITOR	10MF 20% 25V	
	C2002	QETN1EM-226Z	E CAPACITOR	22MF 20% 25V			C2113	QETN1EM-106Z	E CAPACITOR	10MF 20% 25V	
	C2003	NCB31HK-223X	C CAPACITOR				C2114	QETN1EM-106Z	E CAPACITOR	10MF 20% 25V	
	C2004	NCB31HK-223X	C CAPACITOR				C2115	QETN1EM-106Z	E CAPACITOR	10MF 20% 25V	
	C2005	NCB31HK-561X	C CAPACITOR				C2116	QETN1EM-106Z	E CAPACITOR	10MF 20% 25V	
	C2011	QETN1HM-106Z	E CAPACITOR	10MF 20% 50V			C2203	NCB31HK-223X	C CAPACITOR		
	C2012	QETN1HM-106Z	E CAPACITOR	10MF 20% 50V			C2204	NCB31HK-223X	C CAPACITOR		
	C2013	QETN1HM-106Z	E CAPACITOR	10MF 20% 50V			C2207	QTE1H46-475Z	E CAPACITOR		
	C2014	QETN1HM-106Z	E CAPACITOR	10MF 20% 50V			C2208	QTE1H46-475Z	E CAPACITOR		
	C2015	QETN1EM-476Z	E CAPACITOR	47MF 20% 25V			C2212	NCB31HK-223X	C CAPACITOR		
	C2016	QETN1EM-476Z	E CAPACITOR	47MF 20% 25V			C2213	NCB31HK-223X	C CAPACITOR		
	C2017	NCB31HK-223X	C CAPACITOR				C2221	NCB31HK-223X	C CAPACITOR		
	C2018	NCB31HK-223X	C CAPACITOR				C2222	NCB31HK-223X	C CAPACITOR		
	C2025	NCB31HK-223X	C CAPACITOR				C2230	NCB31HK-223X	C CAPACITOR		
	C2026	NCB31HK-223X	C CAPACITOR				C2231	NCB31HK-223X	C CAPACITOR		
	C2028	QETN1HM-226Z	E CAPACITOR	22MF 20% 50V			C2253	QETN1HM-475Z	E CAPACITOR	4.7MF 20% 50V	
	C2031	QETN1HM-475Z	E CAPACITOR	4.7MF 20% 50V			C2254	QETN1HM-475Z	E CAPACITOR	4.7MF 20% 50V	
	C2032	QETN1HM-475Z	E CAPACITOR	4.7MF 20% 50V			C2255	QETN1HM-475Z	E CAPACITOR	4.7MF 20% 50V	
	C2033	QETN1HM-475Z	E CAPACITOR	4.7MF 20% 50V			C2256	QETN1HM-475Z	E CAPACITOR	4.7MF 20% 50V	
	C2034	QETN1HM-475Z	E CAPACITOR	4.7MF 20% 50V			C2257	QETN1HM-475Z	E CAPACITOR	4.7MF 20% 50V	
	C2035	QETN1EM-227Z	E CAPACITOR	220MF 20% 25V			C2258	QETN1HM-475Z	E CAPACITOR	4.7MF 20% 50V	
	C2036	QETN1EM-227Z	E CAPACITOR	220MF 20% 25V			C2259	NCS31HJ-330X	C CAPACITOR		
	C2037	NCB31HK-223X	C CAPACITOR				C2260	NCS31HJ-330X	C CAPACITOR		
	C2038	NCB31HK-223X	C CAPACITOR				C2265	QETN1HM-475Z	E CAPACITOR	4.7MF 20% 50V	
	C2042	QETN1HM-226Z	E CAPACITOR	22MF 20% 50V			C2266	QETN1HM-475Z	E CAPACITOR	4.7MF 20% 50V	
	C2051	QTE1H46-475Z	E CAPACITOR				C2267	QETN1EM-227Z	E CAPACITOR	220MF 20% 25V	
	C2052	QTE1H46-475Z	E CAPACITOR				C2268	QETN1EM-227Z	E CAPACITOR	220MF 20% 25V	
	C2053	QTE1H46-475Z	E CAPACITOR				C2269	NCB31HK-223X	C CAPACITOR		
	C2054	QTE1H46-475Z	E CAPACITOR				C2270	NCB31HK-223X	C CAPACITOR		
	C2055	QETN1EM-227Z	E CAPACITOR	220MF 20% 25V			C2273	NCB31HK-223X	C CAPACITOR		
	C2056	QETN1EM-227Z	E CAPACITOR	220MF 20% 25V			C2274	NCB31HK-223X	C CAPACITOR		
	C2057	NCB31HK-223X	C CAPACITOR				C2301	NCB31HK-562X	C CAPACITOR		
	C2058	NCB31HK-223X	C CAPACITOR				C2302	NCB31HK-562X	C CAPACITOR		
	C2059	QTE1H46-475Z	E CAPACITOR				C2319	NCS31HJ-101X	C CAPACITOR		
	C2060	QTE1H46-475Z	E CAPACITOR				C2320	NCS31HJ-101X	C CAPACITOR		

■ Electrical parts list

(Audio/video input & output board)

Block No. 02

△	Item	Parts number	Parts name	Remarks	Area	△	Item	Parts number	Parts name	Remarks	Area
	C2401	QTE1H46-106Z	E CAPACITOR				FL301	QQR0590-001	FILTER		
	C2402	QTE1H46-106Z	E CAPACITOR				FL302	QQR0590-001	FILTER		
	C2403	QTE1H46-106Z	E CAPACITOR				IC201	NJM4580E-W	IC		
	C2404	QTE1H46-106Z	E CAPACITOR				IC202	TC9164AF-X	IC		
	C2405	QETN1EM-476Z	E CAPACITOR	47MF 20% 25V			IC203	TC9164AF-X	IC		
	C2406	QETN1EM-476Z	E CAPACITOR	47MF 20% 25V			IC204	NJM4580E-W	IC		
	C2407	NCB31HK-223X	C CAPACITOR				IC211	TC9162AF-X	IC		
	C2408	NCB31HK-223X	C CAPACITOR				IC212	TC9162AF-X	IC		
	C2411	QETN1HM-106Z	E CAPACITOR	10MF 20% 50V			IC213	TC9162AF-X	IC		
	C2412	QETN1HM-106Z	E CAPACITOR	10MF 20% 50V			IC221	TC9459F-X	IC		
	C2413	QETN1HM-106Z	E CAPACITOR	10MF 20% 50V			IC222	TC9459F-X	IC		
	C2414	QETN1HM-106Z	E CAPACITOR	10MF 20% 50V			IC223	TC9459F-X	IC		
	C2415	QETN1EM-476Z	E CAPACITOR	47MF 20% 25V			IC224	TC9459F-X	IC		
	C2416	QETN1EM-476Z	E CAPACITOR	47MF 20% 25V			IC241	NJM4580E-W	IC		
	C2417	NCB31HK-223X	C CAPACITOR				IC242	NJM4580E-W	IC		
	C2418	NCB31HK-223X	C CAPACITOR				IC251	NJM4580E-W	IC		
	C2421	QETN1HM-106Z	E CAPACITOR	10MF 20% 50V			IC252	NJM4580E-W	IC		
	C2422	QETN1HM-106Z	E CAPACITOR	10MF 20% 50V			IC253	NJM4580E-W	IC		
	C2423	QETN1HM-106Z	E CAPACITOR	10MF 20% 50V			IC254	NJM4580E-W	IC		
	C2424	QETN1HM-106Z	E CAPACITOR	10MF 20% 50V			IC261	NJM4580E-W	IC		
	C2425	QETN1EM-476Z	E CAPACITOR	47MF 20% 25V			IC262	TC9459F-X	IC		
	C2426	QETN1EM-476Z	E CAPACITOR	47MF 20% 25V			IC263	NJM4580E-W	IC		
	C2427	NCB31HK-223X	C CAPACITOR				IC271	NJM4580E-W	IC		
	C2428	NCB31HK-223X	C CAPACITOR				IC272	NJM4580E-W	IC		
	C2501	NCF21CZ-225X	C CAPACITOR				IC273	NJM4580E-W	IC		
	C2502	NCF21CZ-225X	C CAPACITOR				IC281	NJM4580E-W	IC		
	C2503	NCF21CZ-105X	C CAPACITOR				IC282	NJM2903M-XE	IC		
	C2504	NCF21CZ-105X	C CAPACITOR				IC283	NJM78L05A-T	IC		
	C4001	QETN0JM-477Z	E CAPACITOR	470MF 20% 6.3V			IC321	TC9163AF-X	IC		
	C4002	QETN1EM-476Z	E CAPACITOR	47MF 20% 25V			IC322	TC9163AF-X	IC		
	C4003	NCB31HK-103X	C CAPACITOR				IC381	BA15218N	IC		
	C4004	QETN1HM-107Z	E CAPACITOR	100MF 20% 50V			IC382	BA15218N	IC		
	C4005	NCF21CZ-225X	C CAPACITOR				IC401	BA7625	IC		
	C4006	NCS31HJ-470X	C CAPACITOR				IC402	NJM2285V-W	IC		
	C4031	NCF31HZ-473X	C CAPACITOR				IC403	MB90088PF-131	IC		
	C4032	QETN0JM-477Z	E CAPACITOR	470MF 20% 6.3V			IC431	BA7625	IC		
	C4033	QETN1EM-476Z	E CAPACITOR	47MF 20% 25V			IC432	BA7626	IC		
	C4034	QETN1EM-476Z	E CAPACITOR	47MF 20% 25V			IC451	BA7625	IC		
	C4035	NCB31HK-103X	C CAPACITOR				IC452	NJM2285V-W	IC		
	C4036	NCB31HK-103X	C CAPACITOR				IC461	BU4051BC	IC		
	C4037	QETN1HM-475Z	E CAPACITOR	4.7MF 20% 50V			IC471	BA7625	IC		
	C4038	NCF31HZ-473X	C CAPACITOR				IC472	BA7626	IC		
	C4039	NCS31HJ-101X	C CAPACITOR				J 201	QNN0392-001	PIN JACK		
	C4040	NCS31HJ-101X	C CAPACITOR				J 202	QNN0392-001	PIN JACK		
	D 240	1SS355-X	DIODE				J 203	QNN0396-001	PIN JACK		
	D 351	1SS355-X	DIODE				J 321	QNN0392-001	PIN JACK		
	D 401	1SS133-T2	SI DIODE				J 322	QNN0393-001	PIN JACK		
	D 402	1SS133-T2	SI DIODE				J 323	QNN0396-001	PIN JACK		
	D2041	1SS133-T2	SI DIODE				J 324	QNN0394-001	PIN JACK		
	D2042	1SS133-T2	SI DIODE				J 401	QNN0402-001	PIN JACK		
	D2111	1SS355-X	DIODE				J 402	QNN0403-001	PIN JACK		
	D2121	1SS355-X	DIODE				J 403	QNN0403-001	PIN JACK		
	D2122	1SS355-X	DIODE				J 431	QND0090-001	S JACK		
	D2123	MTZJ5.1C-T2	ZENER DIODE				J 432	QND0029-001	DIN CONNECTOR		
	D2311	1SS133-T2	SI DIODE				J 433	QND0029-001	DIN CONNECTOR		
	D2501	1SS355-X	DIODE				J 434	QND0089-001	S JACK		
	D2502	1SS355-X	DIODE				J4001	QNN0405-001	PIN JACK		
	D2503	1SS355-X	DIODE				J4002	QNN0407-001	PIN JACK		
	D2504	1SS355-X	DIODE				J4031	QND0027-001	DIN CONNECTOR		
	D2505	1SS355-X	DIODE				J4032	QNN0406-001	PIN JACK		
	D2506	1SS355-X	DIODE				L 321	QQL231K-121Y	INDUCTOR		
	D2507	1SS355-X	DIODE				L 322	QQL231K-121Y	INDUCTOR		
	D2508	1SS355-X	DIODE				L 401	QQL231K-220Y	INDUCTOR		

■ Electrical parts list
(Audio/video input & output board)

Block No. 02

△	Item	Parts number	Parts name	Remarks	Area	△	Item	Parts number	Parts name	Remarks	Area
	Q 201	KRA104M-T	D TRANSISTOR				R 211	NRSA63J-103X	MG RESISTOR		
	Q 211	2SC3576-JVC-T	TRANSISTOR				R 212	NRSA63J-103X	MG RESISTOR		
	Q 212	2SC3576-JVC-T	TRANSISTOR				R 213	NRSA63J-104X	MG RESISTOR		
	Q 213	2SC3576-JVC-T	TRANSISTOR				R 214	NRSA63J-104X	MG RESISTOR		
	Q 214	2SC3576-JVC-T	TRANSISTOR				R 215	NRSA63J-101X	MG RESISTOR		
	Q 215	2SC3576-JVC-T	TRANSISTOR				R 216	NRSA63J-101X	MG RESISTOR		
	Q 216	2SC3576-JVC-T	TRANSISTOR			△	R 217	QRJ146J-331X	UNF C RESISTOR	330 5% 1/4W	
	Q 217	2SC3576-JVC-T	TRANSISTOR			△	R 218	QRJ146J-331X	UNF C RESISTOR	330 5% 1/4W	
	Q 218	2SC3576-JVC-T	TRANSISTOR			△	R 231	QRZ9005-680X	F RESISTOR	68 1/4W	
	Q 219	2SC3576-JVC-T	TRANSISTOR			△	R 232	QRZ9005-680X	F RESISTOR	68 1/4W	
	Q 240	KRC105M-T	D TRANSISTOR			△	R 237	QRZ9005-680X	F RESISTOR	68 1/4W	
	Q 323	2SC3576-JVC-T	TRANSISTOR			△	R 238	QRZ9005-680X	F RESISTOR	68 1/4W	
	Q 324	2SC3576-JVC-T	TRANSISTOR			△	R 240	QRZ9005-331X	F RESISTOR	330 1/4W	
	Q 325	2SC3576-JVC-T	TRANSISTOR				R 241	NRSA63J-104X	MG RESISTOR		
	Q 329	2SC3576-JVC-T	TRANSISTOR				R 242	NRSA63J-104X	MG RESISTOR		
	Q 330	2SC3576-JVC-T	TRANSISTOR				R 243	NRSA63J-104X	MG RESISTOR		
	Q 332	DTC114YKA-X	CHIP D TRANSISTOR				R 244	NRSA63J-104X	MG RESISTOR		
	Q 334	DTC114YKA-X	CHIP D TRANSISTOR				R 245	NRSA63J-104X	MG RESISTOR		
	Q 342	DTA114YKA-X	TRANSISTOR				R 246	NRSA63J-104X	MG RESISTOR		
	Q 343	DTA114YKA-X	TRANSISTOR				R 247	QRA14CF-1001Y	MF RESISTOR	10 1/4W	
	Q 345	DTA114YKA-X	TRANSISTOR				R 248	QRA14CF-1001Y	MF RESISTOR	10 1/4W	
	Q 351	KRC105M-T	D TRANSISTOR				R 249	QRA14CF-1001Y	MF RESISTOR	10 1/4W	
	Q 401	KTA1267/YG/-T	TRANSISTOR				R 250	QRA14CF-1001Y	MF RESISTOR	10 1/4W	
	Q 402	KTA1267/YG/-T	TRANSISTOR				R 251	NRSA63J-471X	MG RESISTOR		
	Q 403	KRC110M-T	TRANSISTOR				R 252	NRSA63J-471X	MG RESISTOR		
	Q 404	KRC107M-T	D TRANSISTOR				R 253	NRSA63J-471X	MG RESISTOR		
	Q 405	KTA1267/YG/-T	TRANSISTOR				R 254	NRSA63J-471X	MG RESISTOR		
	Q 406	KTA1267/YG/-T	TRANSISTOR				R 255	NRSA63J-471X	MG RESISTOR		
	Q 407	KTA1267/YG/-T	TRANSISTOR				R 256	NRSA63J-471X	MG RESISTOR		
	Q 408	KTA1267/YG/-T	TRANSISTOR				R 257	NRSA63J-471X	MG RESISTOR		
	Q 431	KTA1267/YG/-T	TRANSISTOR				R 258	NRSA63J-471X	MG RESISTOR		
	Q 432	KTA1267/YG/-T	TRANSISTOR				R 259	NRSA63J-471X	MG RESISTOR		
	Q 433	KTA1267/YG/-T	TRANSISTOR				R 260	NRSA63J-471X	MG RESISTOR		
	Q 434	KTA1267/YG/-T	TRANSISTOR				R 261	NRSA63J-561X	MG RESISTOR		
	Q 461	DTC114EKA-X	TRANSISTOR				R 262	NRSA63J-561X	MG RESISTOR		
	Q 462	DTC114EKA-X	TRANSISTOR				R 263	NRSA63J-561X	MG RESISTOR		
	Q 463	DTC114EKA-X	TRANSISTOR				R 264	NRSA63J-561X	MG RESISTOR		
	Q 464	KTC3199/GL/-T	TRANSISTOR				R 265	NRSA63J-561X	MG RESISTOR		
	Q 465	KTC3199/GL/-T	TRANSISTOR				R 266	NRSA63J-561X	MG RESISTOR		
	Q 466	KTC3199/GL/-T	TRANSISTOR			△	R 267	QRZ9005-680X	F RESISTOR	68 1/4W	
	Q 467	KTA1267/YG/-T	TRANSISTOR			△	R 268	QRZ9005-680X	F RESISTOR	68 1/4W	
	Q2011	2SC3576-JVC-T	TRANSISTOR			△	R 269	QRZ9005-680X	F RESISTOR	68 1/4W	
	Q2012	2SC3576-JVC-T	TRANSISTOR			△	R 270	QRZ9005-680X	F RESISTOR	68 1/4W	
	Q2013	KRA104M-T	D TRANSISTOR			△	R 281	QRZ9005-680X	F RESISTOR	68 1/4W	
	Q2041	2SC3576-JVC-T	TRANSISTOR			△	R 282	QRZ9005-680X	F RESISTOR	68 1/4W	
	Q2042	2SC3576-JVC-T	TRANSISTOR				R 291	QRA14CF-1001Y	MF RESISTOR	10 1/4W	
	Q2043	KRA104M-T	D TRANSISTOR				R 292	QRA14CF-1001Y	MF RESISTOR	10 1/4W	
	Q2111	KTC3199/GL/-T	TRANSISTOR				R 293	NRSA63J-103X	MG RESISTOR		
	Q2112	DTC144ESA-T	D TRANSISTOR				R 294	NRSA63J-103X	MG RESISTOR		
	Q2501	KTC3199/GL/-T	TRANSISTOR				R 295	QRA14CF-1001Y	MF RESISTOR	10 1/4W	
	Q4001	KTA1267/YG/-T	TRANSISTOR				R 296	QRA14CF-1001Y	MF RESISTOR	10 1/4W	
	Q4002	KTA1267/YG/-T	TRANSISTOR				R 297	NRSA63J-103X	MG RESISTOR		
	Q4003	KTA1267/YG/-T	TRANSISTOR				R 298	NRSA63J-103X	MG RESISTOR		
	R 201	NRSA63J-222X	MG RESISTOR				R 299	QRA14CF-1001Y	MF RESISTOR	10 1/4W	
	R 202	NRSA63J-222X	MG RESISTOR				R 300	QRA14CF-1001Y	MF RESISTOR	10 1/4W	
	R 203	NRSA63J-473X	MG RESISTOR				R 301	NRSA63J-103X	MG RESISTOR		
	R 204	NRSA63J-473X	MG RESISTOR				R 302	NRSA63J-103X	MG RESISTOR		
	R 205	NRSA63J-221X	MG RESISTOR				R 303	QRA14CF-1001Y	MF RESISTOR	10 1/4W	
	R 206	NRSA63J-221X	MG RESISTOR				R 304	QRA14CF-1001Y	MF RESISTOR	10 1/4W	
	R 207	NRSA63J-153X	MG RESISTOR				R 305	NRSA63J-103X	MG RESISTOR		
	R 208	NRSA63J-153X	MG RESISTOR				R 306	NRSA63J-103X	MG RESISTOR		
	R 209	NRSA63J-184X	MG RESISTOR				R 307	NRSA63J-102X	MG RESISTOR		
	R 210	NRSA63J-184X	MG RESISTOR				R 308	NRSA63J-474X	MG RESISTOR		

■ Electrical parts list
(Audio/video input & output board)

Block No. 02

△	Item	Parts number	Parts name	Remarks	Area	△	Item	Parts number	Parts name	Remarks	Area
	R 311	NRSA63J-102X	MG RESISTOR				R 414	NRSA63J-473X	MG RESISTOR		
	R 312	NRSA63J-102X	MG RESISTOR				R 415	NRSA63J-151X	MG RESISTOR		
	R 313	NRSA63J-102X	MG RESISTOR				R 416	NRSA63J-151X	MG RESISTOR		
	R 314	NRSA63J-102X	MG RESISTOR				R 417	NRSA63J-301X	MG RESISTOR		
	R 315	NRSA63J-102X	MG RESISTOR				R 418	NRSA63J-103X	MG RESISTOR		
	R 316	NRSA63J-102X	MG RESISTOR				R 419	NRSA63J-331X	MG RESISTOR		
	R 319	QRA14CF-1001Y	MF RESISTOR	10 1/4W			R 420	NRSA63J-101X	MG RESISTOR		
	R 320	NRSA63J-103X	MG RESISTOR				R 421	NRSA63J-121X	MG RESISTOR		
	R 321	NRSA63J-471X	MG RESISTOR				R 422	NRSA63J-151X	MG RESISTOR		
	R 322	NRSA63J-471X	MG RESISTOR				R 423	NRSA63J-561X	MG RESISTOR		
	R 323	NRSA63J-471X	MG RESISTOR				R 424	NRSA63J-561X	MG RESISTOR		
	R 324	NRSA63J-471X	MG RESISTOR				R 425	NRSA63J-561X	MG RESISTOR		
	R 325	NRSA63J-471X	MG RESISTOR			△	R 426	QRJ146J-1R0X	UNF C RESISTOR	1.0 5% 1/4W	
	R 326	NRSA63J-471X	MG RESISTOR				R 427	NRSA63J-222X	MG RESISTOR		
	R 327	NRSA63J-471X	MG RESISTOR				R 431	NRSA63J-750X	MG RESISTOR		
	R 328	NRSA63J-471X	MG RESISTOR				R 432	NRSA63J-750X	MG RESISTOR		
	R 329	NRSA63J-471X	MG RESISTOR				R 433	NRSA63J-750X	MG RESISTOR		
	R 330	NRSA63J-471X	MG RESISTOR				R 434	NRSA63J-750X	MG RESISTOR		
	R 331	NRSA63J-471X	MG RESISTOR				R 435	NRSA63J-473X	MG RESISTOR		
	R 332	NRSA63J-471X	MG RESISTOR				R 436	NRSA63J-750X	MG RESISTOR		
	R 333	NRSA63J-471X	MG RESISTOR				R 437	NRSA63J-750X	MG RESISTOR		
	R 334	NRSA63J-471X	MG RESISTOR				R 438	NRSA63J-750X	MG RESISTOR		
	R 335	NRSA63J-471X	MG RESISTOR				R 439	NRSA63J-750X	MG RESISTOR		
	R 336	NRSA63J-471X	MG RESISTOR				R 440	NRSA63J-473X	MG RESISTOR		
	R 337	NRSA63J-471X	MG RESISTOR				R 441	NRSA63J-750X	MG RESISTOR		
	R 338	NRSA63J-471X	MG RESISTOR				R 442	NRSA63J-750X	MG RESISTOR		
△	R 339	QRZ9005-680X	F RESISTOR	68 1/4W			R 443	NRSA63J-750X	MG RESISTOR		
△	R 340	QRZ9005-680X	F RESISTOR	68 1/4W			R 444	NRSA63J-750X	MG RESISTOR		
	R 341	NRSA63J-471X	MG RESISTOR				R 445	NRSA63J-750X	MG RESISTOR		
	R 342	NRSA63J-471X	MG RESISTOR				R 446	NRSA63J-750X	MG RESISTOR		
	R 345	NRSA63J-471X	MG RESISTOR				R 447	NRSA63J-473X	MG RESISTOR		
	R 346	NRSA63J-471X	MG RESISTOR				R 448	NRSA63J-121X	MG RESISTOR		
	R 347	NRSA63J-103X	MG RESISTOR				R 449	NRSA63J-121X	MG RESISTOR		
	R 348	NRSA63J-103X	MG RESISTOR				R 450	NRSA63J-151X	MG RESISTOR		
	R 349	NRSA63J-471X	MG RESISTOR				R 451	NRSA63J-151X	MG RESISTOR		
	R 350	NRSA63J-103X	MG RESISTOR			△	R 452	QRJ146J-6R8X	UNF C RESISTOR	6.8 5% 1/4W	
	R 351	NRSA63J-471X	MG RESISTOR			△	R 453	QRJ146J-2R2X	UNF C RESISTOR	2.2 5% 1/4W	
	R 352	NRSA63J-471X	MG RESISTOR				R 461	NRSA63J-562X	MG RESISTOR		
	R 355	NRSA63J-471X	MG RESISTOR				R 462	NRSA63J-562X	MG RESISTOR		
	R 356	NRSA63J-471X	MG RESISTOR				R 463	NRSA63J-562X	MG RESISTOR		
	R 357	NRSA63J-103X	MG RESISTOR				R 464	NRSA63J-562X	MG RESISTOR		
	R 358	NRSA63J-103X	MG RESISTOR				R 465	NRSA63J-562X	MG RESISTOR		
	R 363	NRSA63J-102X	MG RESISTOR				R 466	NRSA63J-223X	MG RESISTOR		
	R 364	NRSA63J-474X	MG RESISTOR				R 467	NRSA63J-223X	MG RESISTOR		
	R 365	NRSA63J-102X	MG RESISTOR				R 468	NRSA63J-223X	MG RESISTOR		
	R 366	NRSA63J-474X	MG RESISTOR				R 469	NRSA63J-104X	MG RESISTOR		
	R 369	NRSA63J-102X	MG RESISTOR				R 470	NRSA63J-334X	MG RESISTOR		
	R 370	NRSA63J-474X	MG RESISTOR				R 471	NRSA63J-472X	MG RESISTOR		
	R 399	NRSA63J-471X	MG RESISTOR				R 472	NRSA63J-472X	MG RESISTOR		
	R 400	NRSA63J-471X	MG RESISTOR				R 473	NRSA63J-472X	MG RESISTOR		
	R 401	NRSA63J-750X	MG RESISTOR				R 474	NRSA63J-103X	MG RESISTOR		
	R 402	NRSA63J-750X	MG RESISTOR				R 475	NRSA63J-103X	MG RESISTOR		
	R 403	NRSA63J-750X	MG RESISTOR				R 476	NRSA63J-103X	MG RESISTOR		
	R 404	NRSA63J-750X	MG RESISTOR				RY240	QSK0125-001	RELAY		
	R 405	NRSA63J-750X	MG RESISTOR				RY351	QSK0125-001	RELAY		
	R 406	NRSA63J-750X	MG RESISTOR			△	R1351	QRZ9005-331X	F RESISTOR	330 1/4W	
	R 407	NRSA63J-750X	MG RESISTOR			△	R2001	QRZ9005-680X	F RESISTOR	68 1/4W	
	R 408	NRSA63J-331X	MG RESISTOR			△	R2002	QRZ9005-680X	F RESISTOR	68 1/4W	
	R 409	NRSA63J-473X	MG RESISTOR				R2011	NRSA63J-104X	MG RESISTOR		
	R 410	NRSA63J-331X	MG RESISTOR				R2012	NRSA63J-104X	MG RESISTOR		
	R 411	NRSA63J-473X	MG RESISTOR				R2013	NRSA63J-104X	MG RESISTOR		
	R 412	NRSA63J-331X	MG RESISTOR				R2014	NRSA63J-104X	MG RESISTOR		
	R 413	NRSA63J-331X	MG RESISTOR				R2015	NRSA63J-104X	MG RESISTOR		

■ Electrical parts list
(Audio/video input & output board)

Block No. 02

△	Item	Parts number	Parts name	Remarks	Area	△	Item	Parts number	Parts name	Remarks	Area
	R2016	NRSA63J-104X	MG RESISTOR				R2111	NRSA63J-473X	MG RESISTOR		
△	R2017	QRZ9005-680X	F RESISTOR	68 1/4W			R2112	NRSA63J-104X	MG RESISTOR		
△	R2018	QRZ9005-680X	F RESISTOR	68 1/4W			R2113	NRSA63J-102X	MG RESISTOR		
	R2021	NRSA63J-334X	MG RESISTOR				R2114	NRSA63J-102X	MG RESISTOR		
	R2022	NRSA63J-334X	MG RESISTOR				R2115	NRSA63J-473X	MG RESISTOR		
	R2023	NRSA63J-102X	MG RESISTOR				R2116	NRSA63J-102X	MG RESISTOR		
	R2024	NRSA63J-102X	MG RESISTOR				R2117	NRSA63J-104X	MG RESISTOR		
	R2025	NRSA63J-103X	MG RESISTOR				R2118	NRSA63J-103X	MG RESISTOR		
	R2026	NRSA63J-103X	MG RESISTOR				R2119	NRSA63J-103X	MG RESISTOR		
	R2027	NRSA63J-102X	MG RESISTOR				R2120	NRSA63J-103X	MG RESISTOR		
	R2028	NRSA63J-474X	MG RESISTOR				R2121	NRSA63J-332X	MG RESISTOR		
	R2031	NRSA63J-104X	MG RESISTOR				R2122	NRSA63J-103X	MG RESISTOR		
	R2032	NRSA63J-104X	MG RESISTOR				R2123	NRSA63J-103X	MG RESISTOR		
	R2033	NRSA63J-102X	MG RESISTOR			△	R2124	QRJ146J-101X	UNF C RESISTOR	100 5% 1/4W	
	R2034	NRSA63J-102X	MG RESISTOR				R2211	NRSA63J-102X	MG RESISTOR		
	R2035	NRSA63J-512X	MG RESISTOR				R2212	NRSA63J-102X	MG RESISTOR		
	R2036	NRSA63J-512X	MG RESISTOR				R2213	NRSA63J-102X	MG RESISTOR		
	R2037	NRSA63J-104X	MG RESISTOR				R2214	NRSA63J-102X	MG RESISTOR		
	R2038	NRSA63J-104X	MG RESISTOR				R2215	NRSA63J-102X	MG RESISTOR		
△	R2039	QRZ9005-680X	F RESISTOR	68 1/4W			R2216	NRSA63J-102X	MG RESISTOR		
△	R2040	QRZ9005-680X	F RESISTOR	68 1/4W			R2259	NRSA63J-333X	MG RESISTOR		
	R2041	NRSA63J-102X	MG RESISTOR				R2260	NRSA63J-333X	MG RESISTOR		
	R2042	NRSA63J-102X	MG RESISTOR				R2261	NRSA63J-333X	MG RESISTOR		
	R2043	NRSA63J-103X	MG RESISTOR				R2262	NRSA63J-333X	MG RESISTOR		
	R2044	NRSA63J-103X	MG RESISTOR				R2263	NRSA63J-333X	MG RESISTOR		
	R2045	NRSA63J-474X	MG RESISTOR				R2264	NRSA63J-333X	MG RESISTOR		
	R2046	NRSA63J-102X	MG RESISTOR				R2265	NRSA63J-333X	MG RESISTOR		
	R2051	NRSA63J-334X	MG RESISTOR				R2266	NRSA63J-333X	MG RESISTOR		
	R2052	NRSA63J-334X	MG RESISTOR				R2267	NRSA63J-333X	MG RESISTOR		
	R2053	NRSA63J-104X	MG RESISTOR				R2268	NRSA63J-333X	MG RESISTOR		
	R2054	NRSA63J-104X	MG RESISTOR				R2269	NRSA63J-102X	MG RESISTOR		
	R2055	NRSA63J-104X	MG RESISTOR				R2270	NRSA63J-102X	MG RESISTOR		
	R2056	NRSA63J-104X	MG RESISTOR				R2273	NRSA63J-102X	MG RESISTOR		
△	R2057	QRZ9005-680X	F RESISTOR	68 1/4W			R2274	NRSA63J-102X	MG RESISTOR		
△	R2058	QRZ9005-680X	F RESISTOR	68 1/4W		△	R2275	QRZ9005-680X	F RESISTOR	68 1/4W	
	R2059	NRSA63J-334X	MG RESISTOR			△	R2276	QRZ9005-680X	F RESISTOR	68 1/4W	
	R2060	NRSA63J-334X	MG RESISTOR				R2301	NRSA63J-682X	MG RESISTOR		
	R2061	NRSA63J-104X	MG RESISTOR				R2302	NRSA63J-682X	MG RESISTOR		
	R2062	NRSA63J-104X	MG RESISTOR				R2303	NRSA63J-102X	MG RESISTOR		
	R2063	NRSA63J-104X	MG RESISTOR				R2304	NRSA63J-102X	MG RESISTOR		
	R2064	NRSA63J-104X	MG RESISTOR				R2316	NRSA63J-103X	MG RESISTOR		
△	R2065	QRZ9005-680X	F RESISTOR	68 1/4W			R2317	NRSA63J-103X	MG RESISTOR		
△	R2066	QRZ9005-680X	F RESISTOR	68 1/4W			R2351	QRA14CF-1001Y	MF RESISTOR	10 1/4W	
	R2067	NRSA63J-334X	MG RESISTOR				R2352	QRA14CF-1001Y	MF RESISTOR	10 1/4W	
	R2068	NRSA63J-334X	MG RESISTOR				R2353	QRA14CF-5101Y	MF RESISTOR	51 1/4W	
	R2069	NRSA63J-104X	MG RESISTOR				R2354	QRA14CF-5101Y	MF RESISTOR	51 1/4W	
	R2070	NRSA63J-104X	MG RESISTOR				R2355	QRA14CF-1001Y	MF RESISTOR	10 1/4W	
	R2071	NRSA63J-104X	MG RESISTOR				R2356	QRA14CF-1001Y	MF RESISTOR	10 1/4W	
	R2072	NRSA63J-104X	MG RESISTOR				R2357	QRA14CF-5101Y	MF RESISTOR	51 1/4W	
△	R2073	QRZ9005-680X	F RESISTOR	68 1/4W			R2358	QRA14CF-1802Y	MF RESISTOR	18 1/4W	
△	R2074	QRZ9005-680X	F RESISTOR	68 1/4W			R2359	QRA14CF-1001Y	MF RESISTOR	10 1/4W	
	R2075	NRSA63J-334X	MG RESISTOR				R2360	QRA14CF-1001Y	MF RESISTOR	10 1/4W	
	R2076	NRSA63J-334X	MG RESISTOR				R2361	QRA14CF-5101Y	MF RESISTOR	51 1/4W	
	R2077	NRSA63J-104X	MG RESISTOR				R2362	QRA14CF-5101Y	MF RESISTOR	51 1/4W	
	R2078	NRSA63J-104X	MG RESISTOR				R2363	QRA14CF-1001Y	MF RESISTOR	10 1/4W	
	R2079	NRSA63J-104X	MG RESISTOR				R2364	QRA14CF-1001Y	MF RESISTOR	10 1/4W	
	R2080	NRSA63J-104X	MG RESISTOR				R2365	QRA14CF-5101Y	MF RESISTOR	51 1/4W	
△	R2081	QRZ9005-680X	F RESISTOR	68 1/4W			R2366	QRA14CF-5101Y	MF RESISTOR	51 1/4W	
△	R2082	QRZ9005-680X	F RESISTOR	68 1/4W			R2401	NRSA63J-104X	MG RESISTOR		
	R2091	NRSA63J-222X	MG RESISTOR				R2402	NRSA63J-104X	MG RESISTOR		
	R2092	NRSA63J-222X	MG RESISTOR				R2403	NRSA63J-104X	MG RESISTOR		
	R2093	NRSA63J-471X	MG RESISTOR				R2404	NRSA63J-104X	MG RESISTOR		
	R2094	NRSA63J-471X	MG RESISTOR				R2405	NRSA63J-104X	MG RESISTOR		

■ Electrical parts list

(Audio/video input & outpat board)

Block No. 02

△	Item	Parts number	Parts name	Remarks	Area
	R2406	NRSA63J-104X	MG RESISTOR		
	R2411	NRSA63J-104X	MG RESISTOR		
	R2412	NRSA63J-104X	MG RESISTOR		
	R2413	NRSA63J-104X	MG RESISTOR		
	R2414	NRSA63J-104X	MG RESISTOR		
	R2415	NRSA63J-104X	MG RESISTOR		
	R2416	NRSA63J-104X	MG RESISTOR		
	R2421	NRSA63J-104X	MG RESISTOR		
	R2422	NRSA63J-104X	MG RESISTOR		
	R2423	NRSA63J-104X	MG RESISTOR		
	R2424	NRSA63J-104X	MG RESISTOR		
	R2425	NRSA63J-104X	MG RESISTOR		
	R2426	NRSA63J-104X	MG RESISTOR		
	R2501	NRSA63J-333X	MG RESISTOR		
	R2502	NRSA63J-333X	MG RESISTOR		
	R2503	NRSA63J-104X	MG RESISTOR		
	R2504	NRSA63J-104X	MG RESISTOR		
	R2505	NRSA63J-223X	MG RESISTOR		
	R2506	NRSA63J-223X	MG RESISTOR		
	R2507	NRSA63J-333X	MG RESISTOR		
	R2508	NRSA63J-333X	MG RESISTOR		
	R2509	NRSA63J-622X	MG RESISTOR		
	R2510	NRSA63J-102X	MG RESISTOR		
	R2511	NRSA63J-103X	MG RESISTOR		
	R4001	NRSA63J-750X	MG RESISTOR		
	R4002	NRSA63J-471X	MG RESISTOR		
	R4003	NRSA63J-473X	MG RESISTOR		
	R4004	NRSA63J-101X	MG RESISTOR		
	R4005	NRSA63J-121X	MG RESISTOR		
	R4006	NRSA63J-151X	MG RESISTOR		
	R4031	NRSA63J-750X	MG RESISTOR		
	R4032	NRSA63J-750X	MG RESISTOR		
	R4033	NRSA63J-473X	MG RESISTOR		
	R4034	NRSA63J-471X	MG RESISTOR		
	SP403	VYH7653-001	IC HOLDER		
	WR204	QJK016-031803	SIN CR C-B WIRE		
	WR307	QJP001-031001	SHI CR C-B WIRE		
	WR318	QJK016-031403	SIN CR C-B WIRE		
	WR322	WJP0032-001A	E-SH C WIRE C-B		
	WR323	QJK016-111401	SIN CR C-B WIRE		
	WR324	WJK0130-001A	E-SI C WIRE C-B		
	X 401	QAX0260-001Z	CRYSTAL		

■ Electrical parts list (Power supply board)

Block No. 03

△	Item	Parts number	Parts name	Remarks	Area	△	Item	Parts number	Parts name	Remarks	Area
	C 1	QER61CM-107Z	E CAPACITOR	100MF 20% 16V			D 1	1SS133-T2	SI DIODE		
△	C 21	QCZ9104-472	C CAPACITOR	4700PF			D 2	1SS133-T2	SI DIODE		
	C 22	QFN32AK-472Z	M CAPACITOR	4700PF 10% 100V			D 3	MTZJ4.7B-T2	ZENER DIODE		
	C 23	QETM1EM-228	E CAPACITOR	2200MF 20% 25V			D 4	1SS133-T2	SI DIODE		
	C 24	QCF31HZ-472Z	C CAPACITOR	4700PF +80:-20%			D 5	1SS133-T2	SI DIODE		
	C 25	QETN1CM-477Z	E CAPACITOR	470MF 20% 16V			D 7	1SS133-T2	SI DIODE		
	C 26	QCF31HZ-472Z	C CAPACITOR	4700PF +80:-20%		△	D 21	1SR35-400A-T5	DIODE		
	C 27	QETN1CM-477Z	E CAPACITOR	470MF 20% 16V		△	D 22	1SR35-400A-T5	DIODE		
	C 41	QFVJ1HJ-104Z	MF CAPACITOR	0.1MF 5% 50V		△	D 23	1SR35-400A-T5	DIODE		
	C 42	QETM1EM-478	E CAPACITOR	4700MF 20% 25V		△	D 24	1SR35-400A-T5	DIODE		
	C 43	QCF31HZ-472Z	C CAPACITOR	4700PF +80:-20%			D 25	1SS133-T2	SI DIODE		
	C 44	QEHR1EM-107Z	E CAPACITOR	100MF 20% 25V			D 26	MTZJ6.2A-T2	ZENER DIODE		
	C 45	QCF31HZ-472Z	C CAPACITOR	4700PF +80:-20%			D 27	MTZJ6.2A-T2	ZENER DIODE		
	C 46	QEHR1EM-107Z	E CAPACITOR	100MF 20% 25V		△	D 41	1GWJ42-T5	DIODE		
	C 47	QCF31HZ-472Z	C CAPACITOR	4700PF +80:-20%		△	D 42	1GWJ42-T5	DIODE		
	C 48	QEHR1EM-107Z	E CAPACITOR	100MF 20% 25V		△	D 43	1GWJ42-T5	DIODE		
	C 49	QEHR1EM-107Z	E CAPACITOR	100MF 20% 25V		△	D 44	1GWJ42-T5	DIODE		
	C 50	QCF31HZ-472Z	C CAPACITOR	4700PF +80:-20%			D 45	1SS133-T2	SI DIODE		
	C 51	QETN1JM-227Z	E CAPACITOR	220MF 20% 63V			D 46	MTZJ6.2C-T2	ZENER DIODE		
	C 52	QETN1HM-226Z	E CAPACITOR	22MF 20% 50V			D 47	1SS133-T2	SI DIODE		
	C 53	QETN1HM-226Z	E CAPACITOR	22MF 20% 50V			D 48	MTZJ6.2C-T2	ZENER DIODE		
	C 54	QETN1HM-105Z	E CAPACITOR	1.0MF 20% 50V			D 49	1SS133-T2	SI DIODE		
	C 55	QFN31HJ-473Z	M CAPACITOR	0.047MF 5% 50V			D 50	MTZJ6.2C-T2	ZENER DIODE		
	C 56	QFN31HJ-473Z	M CAPACITOR	0.047MF 5% 50V			D 51	1SS133-T2	SI DIODE		
	C 60	QEHC1EM-227Z	E CAPACITOR	220MF 20% 25V			D 52	MTZJ6.8C-T2	ZENER DIODE		
	C 61	QFN32AJ-104Z	M CAPACITOR	0.1MF 5% 100V		△	D 53	1SR35-400A-T5	DIODE		
	C 62	QFN32AJ-104Z	M CAPACITOR	0.1MF 5% 100V			D 55	MTZJ36C-T2	ZENER DIODE		
	C 63	QFN32AJ-104Z	M CAPACITOR	0.1MF 5% 100V			D 56	MTZJ8.2C-T2	ZENER DIODE		
	C 64	QFN32AJ-104Z	M CAPACITOR	0.1MF 5% 100V		△	D 61	1SR35-400A-T5	DIODE		
	C 65	QFN32AJ-104Z	M CAPACITOR	0.1MF 5% 100V		△	D 62	1SR35-400A-T5	DIODE		
	C 66	QETM1VM-228	E CAPACITOR	2200MF 20% 35V		△	D 63	1SR35-400A-T5	DIODE		
	C 67	QETM1VM-228	E CAPACITOR	2200MF 20% 35V		△	D 64	1SR35-400A-T5	DIODE		
	C 68	QCF31HZ-472Z	C CAPACITOR	4700PF +80:-20%			D 65	1SS133-T2	SI DIODE		
	C 69	QEHC1EM-227Z	E CAPACITOR	220MF 20% 25V			D 66	MTZJ15C-T2	ZENER DIODE		
	C 70	QCF31HZ-472Z	C CAPACITOR	4700PF +80:-20%			D 67	1SS133-T2	SI DIODE		
	C 71	QEHC1EM-107Z	E CAPACITOR	100MF 20% 25V			D 68	MTZJ13C-T2	ZENER DIODE		
	C 72	QCF31HZ-472Z	C CAPACITOR	4700PF +80:-20%			D 69	1SS133-T2	SI DIODE		
	C 73	QEHC1EM-227Z	E CAPACITOR	220MF 20% 25V			D 70	MTZJ15C-T2	ZENER DIODE		
	C 74	QETN1HM-475Z	E CAPACITOR	4.7MF 20% 50V			D 71	1SS133-T2	SI DIODE		
	C 75	QEHR1VM-107Z	E CAPACITOR	100MF 20% 35V			D 72	1SS133-T2	SI DIODE		
	C 76	QCF31HZ-472Z	C CAPACITOR	4700PF +80:-20%			D 73	MTZJ24C-T2	ZENER DIODE		
	CN 1	QGF1205C1-16	CONNECTOR				EP 21	QNZ0136-001Z	EARTH PLATE		
	CN 2	QGF1205C1-20	CONNECTOR				EP 22	QNZ0136-001Z	EARTH PLATE		
	CN 3	QGB2510J1-11	CONNECTOR				EP 61	QNZ0136-001Z	EARTH PLATE		
	CN 4	QGB2510J1-04	CONNECTOR				FC 21	QNG0020-001Z	FUSE CLIP	F21	
	CN 5	QGB2510J1-20	CONNECTOR				FC 22	QNG0020-001Z	FUSE CLIP	F21	
	CN 6	QGB1214J1-20S	CONNECTOR				FC 41	QNG0020-001Z	FUSE CLIP	F41	
	CN 7	QGB1214J1-16S	CONNECTOR				FC 42	QNG0020-001Z	FUSE CLIP	F41	
	CN 8	QGB2510J1-15	CONNECTOR				FC 43	QNG0020-001Z	FUSE CLIP	F42	
	CN 9	QGB2510J1-08	CONNECTOR				FC 44	QNG0020-001Z	FUSE CLIP	F42	
	CN 11	QGA2001C1-08	8P PLUG ASSY				FC 61	QNG0020-001Z	FUSE CLIP	F61	
	CN 15	QGB2510J1-07	CONNECTOR				FC 62	QNG0020-001Z	FUSE CLIP	F61	
	CN 16	QGA2001C1-11	11P PLUG ASSY				FC 63	QNG0020-001Z	FUSE CLIP	F62	
	CN 17	QGA2001C1-05	5P PLUG ASSY				FC 64	QNG0020-001Z	FUSE CLIP	F62	
	CN 25	QGA2001C1-07	7P PLUG ASSY				HS 41	E70306-005	HEAT SINK		
	CN 41	QGA7901C1-02	CONNECTOR				HS 42	E70306-005	HEAT SINK		
	CN 42	QGA2001F1-05	5P PLUG ASSY				HS 61	E70306-001	HEAT SINK		
	CN 43	QGA2001F1-08	CONNECTOR				HS 62	E70306-001	HEAT SINK		
	CN 45	QGA2001F1-06	6P PLUG ASSY				HS 63	E70306-001	HEAT SINK		
	CN 61	QGA7901C1-04	CONNECTOR				J 81	QNS0061-001	6.3 JACK		
	CN 63	QGA2001C1-08	8P PLUG ASSY				PW 23	WJK0132-001A	E-SI C WIRE C-B		
	CN 64	QGA2001C1-03	3P PLUG ASSY				Q 1	2SC1740S/RS-T	TRANSISTOR		
	CN 65	QGA2501C1-02	2P CONNECTOR				Q 2	KRC102M-T	D TRANSISTOR		

■ Electrical parts list (Power supply board) Block No. 03

△	Item	Parts number	Parts name	Remarks	Area
	Q 21	KRC105M-T	D TRANSISTOR		
	Q 22	2SC2235/OY/-T	TRANSISTOR		
	Q 23	2SC2235/OY/-T	TRANSISTOR		
	Q 41	2SD2394/EF/	TRANSISTOR		
	Q 42	2SD2394/EF/	TRANSISTOR		
	Q 43	2SD2394/EF/	TRANSISTOR		
	Q 44	2SD2394/EF/	TRANSISTOR		
△	Q 45	2SB1357/EF/-T	TRANSISTOR		
	Q 46	KRC102M-T	D TRANSISTOR		
	Q 47	KRA104M-T	D TRANSISTOR		
	Q 48	KTC3200/GL/-T	TRANSISTOR		
	Q 49	KRA104M-T	D TRANSISTOR		
	Q 50	KRC102M-T	D TRANSISTOR		
	Q 51	KRA104M-T	D TRANSISTOR		
	Q 52	KRC102M-T	D TRANSISTOR		
	Q 53	KRA104M-T	D TRANSISTOR		
	Q 54	KRC102M-T	D TRANSISTOR		
	Q 55	KRC102M-T	D TRANSISTOR		
	Q 56	KRC102M-T	D TRANSISTOR		
	Q 61	2SD2394/EF/	TRANSISTOR		
	Q 62	2SD2394/EF/	TRANSISTOR		
	Q 63	KTA1046/Y/	TRANSISTOR		
	Q 64	2SD2394/EF/	TRANSISTOR		
	Q 65	KRC102M-T	D TRANSISTOR		
	Q 66	KRA104M-T	D TRANSISTOR		
	R 2	QRE141J-222Y	C RESISTOR	2.2K 5% 1/4W	
	R 3	QRE141J-473Y	C RESISTOR	47K 5% 1/4W	
	R 4	QRE141J-103Y	C RESISTOR	10K 5% 1/4W	
△	R 21	QRZ9037-335	COMP RESISTOR	3.3M 1/4W	
△	R 22	QRJ146J-3R9X	UNF C RESISTOR	3.9 5% 1/4W	
	R 23	QRE141J-821Y	C RESISTOR	820 5% 1/4W	
	R 24	QRE141J-821Y	C RESISTOR	820 5% 1/4W	
△	R 25	QRJ146J-3R9X	UNF C RESISTOR	3.9 5% 1/4W	
	R 41	QRJ146J-1R0X	UNF C RESISTOR	1.0 5% 1/4W	
	R 42	QRJ146J-122X	UNF C RESISTOR	1.2K 5% 1/4W	
	R 43	QRJ146J-1R0X	UNF C RESISTOR	1.0 5% 1/4W	
	R 44	QRJ146J-122X	UNF C RESISTOR	1.2K 5% 1/4W	
	R 45	QRJ146J-1R0X	UNF C RESISTOR	1.0 5% 1/4W	
	R 46	QRJ146J-122X	UNF C RESISTOR	1.2K 5% 1/4W	
	R 47	QRJ146J-1R0X	UNF C RESISTOR	1.0 5% 1/4W	
	R 48	QRJ146J-122X	UNF C RESISTOR	1.2K 5% 1/4W	
△	R 49	QRT017J-2R2	MF RESISTOR	2.2 5% 1/1W	
△	R 50	QRT017J-2R2	MF RESISTOR	2.2 5% 1/1W	
△	R 51	QRJ146J-332X	UNF C RESISTOR	3.3K 5% 1/4W	
	R 52	QRE141J-223Y	C RESISTOR	22K 5% 1/4W	
	R 53	QRE141J-104Y	C RESISTOR	100K 5% 1/4W	
	R 54	QRE141J-103Y	C RESISTOR	10K 5% 1/4W	
	R 55	QRE141J-103Y	C RESISTOR	10K 5% 1/4W	
△	R 61	QRL027J-180	UNF MF RESISTOR	18 5% 1/2W	
	R 62	QRZ9006-6R8X	F RESISTOR	6.8 1/4W	
	R 63	QRJ146J-222X	UNF C RESISTOR	2.2K 5% 1/4W	
	R 64	QRZ9005-120X	F RESISTOR	12 1/4W	
	R 65	QRJ146J-272X	UNF C RESISTOR	2.7K 5% 1/4W	
△	R 66	QRL027J-270	UNF MF RESISTOR	27 5% 1/2W	
	R 67	QRZ9006-6R8X	F RESISTOR	6.8 1/4W	
	R 68	QRJ146J-222X	UNF C RESISTOR	2.2K 5% 1/4W	
	R 69	QRE141J-562Y	C RESISTOR	5.6K 5% 1/4W	
	R 70	QRE141J-822Y	C RESISTOR	8.2K 5% 1/4W	
	R 71	QRE141J-103Y	C RESISTOR	10K 5% 1/4W	
	R 72	QRZ9006-6R8X	F RESISTOR	6.8 1/4W	
	R 73	QRJ146J-103X	UNF C RESISTOR	10K 5% 1/4W	
	R 74	QRZ9006-6R8X	F RESISTOR	6.8 1/4W	
	R 81	QRL027J-471	UNF OMF RESISTOR	470 5% 1/2W	

△	Item	Parts number	Parts name	Remarks	Area
	R 82	QRL027J-471	UNF OMF RESISTOR	470 5% 1/2W	
△	RY 21	QSK0098-001	RELAY		
△	T 21	QQT0317-001	POWER TRANSF		
	TA 1	QNZ0079-001Z	TAB		
	TA 2	QNZ0079-001Z	TAB		
△	TH 41	QAD0095-4R7Z	POSISTOR		
	WR 12	QJK016-055600	SIN CR C-B WIRE		
	WR 13	QJK016-086003	SIN CR C-B WIRE		
	WR 14	QJK016-100700	SIN CR C-B WIRE		
	WR 26	QJK016-071502	SIN CR C-B WIRE		
	WR 44	QJK016-060901	SIN CR C-B WIRE		
	WR 81	WJK0131-001A	E-SI C WIRE C-B		
	WR 85	QJP001-033801	SHI CR C-B WIRE		
	WR 86	QJK016-022402	SIN CR C-B WIRE		

■ Electrical parts list

(Front & system control board)

Block No. 04

△	Item	Parts number	Parts name	Remarks	Area	△	Item	Parts number	Parts name	Remarks	Area
	BK961	LV42093-001A	FL HOLDER(L)				D1031	SLR-342VC-T	LED		
	BK962	LV42092-001A	FL HOLDER(R)				D1032	SLR-342MC3F	LED		C
	C 471	QCSB1HJ-470Y	C CAPACITOR	47PF 5% 50V			D1032	SLA-370LT3F	LED		J
	C 472	QCSB1HJ-470Y	C CAPACITOR	47PF 5% 50V			D1033	SLA-370LT3F	LED		J
	C 473	QCSB1HJ-470Y	C CAPACITOR	47PF 5% 50V			D1033	SLR-342MC3F	LED		C
	C 475	QCBB1HK-331Y	C CAPACITOR	330PF 10% 50V			D1034	SLA-370LT3F	LED		J
	C 476	QCBB1HK-331Y	C CAPACITOR	330PF 10% 50V			D1034	SELU2E10C	LED		C
	C 478	QDVB1EZ-223Y	C CAPACITOR				D1201	1SS133-T2	SI DIODE		
	C 479	QFN31HJ-473Z	M CAPACITOR	0.047MF 5% 50V			D1202	1SS133-T2	SI DIODE		
	CN301	QGA2001F1-07	CONNECTOR				D1211	MTZJ6.2C-T2	ZENER DIODE		
	CN963	QGF1205F1-16	CONNECTOR				FS961	E3400-444	FELT SPACER		
	CN964	QGF1205F1-20	CONNECTOR				FS962	E3400-444	FELT SPACER		
	CN969	QGA2001C1-09	9P PLUG ASSY				IC301	NJM2406F-X	IC		
	CN971	QGA2001F1-02	2P CONNECTOR				IC657	AK5383VF-X	IC		
	CN973	QGA2501F1-09	CONNECTOR				IC961	MN101C49GJR	IC		
	CN975	QGA2001F1-02	2P CONNECTOR				IC962	MN101C35DHN	IC		
	CN977	QGA2001F1-04	4P PLUG ASSY				IC963	IC-PST9139-T	IC		
	CN981	QGA2001F1-02	2P CONNECTOR				IC964	GP1U271X	RM RECIVER		
	CN982	QGF1005F1-04	4P PLUG ASSY				IC967	TA8409S	IC		
	CN983	QGA2001F1-10	10P PLUG ASSY				J 471	QND0026-001	S JACK		
	CN985	QGA2001F1-06	6P PLUG ASSY				JS961	QSW0867-001	ROTARY ENCODER		
	C1001	QEKCOJM-107Z	E CAPACITOR	100MF 20% 6.3V			J1201	QNS0001-001	3.5 JACK		
	C1002	QCZ0202-155Z	ML C CAPACITOR	1.5MF			J1211	QNS0073-001	JACK		
	C1003	QEZ0361-479	E.D.L.CAPACITOR	47000MF			J1212	QNS0073-001	JACK		
	C1004	QEKCIHM-225Z	E CAPACITOR	2.2MF 20% 50V			J1213	QNS0077-001	3.5 JACK		
	C1005	QDVB1EZ-223Y	C CAPACITOR				K 472	QQR0779-001Z	INDUCTOR		
	C1006	QEKCOJM-107Z	E CAPACITOR	100MF 20% 6.3V			K1035	QQR1183-001Z	F BEADS		
	C1007	QCZ0202-155Z	ML CAPACITOR	1.5MF			Q1003	KRC107M-T	D TRANSISTOR		
	C1011	QEKCIHM-475Z	E CAPACITOR	4.7MF 20% 50V			Q1011	KRC107M-T	D TRANSISTOR		
	C1012	QEKCIHM-475Z	E CAPACITOR	4.7MF 20% 50V			Q1012	KRA107M-T	D TRANSISTOR		
	C1013	QEKCIHM-475Z	E CAPACITOR	4.7MF 20% 50V			Q1013	KRA107M-T	D TRANSISTOR		
	C1021	QCBB1HK-331Y	C CAPACITOR	330PF 10% 50V			Q1014	KRA107M-T	D TRANSISTOR		
	C1025	QEKCOJM-107Z	E CAPACITOR	100MF 20% 6.3V			Q1015	KRA107M-T	D TRANSISTOR		
	C1034	QDVB1EZ-223Y	C CAPACITOR				Q1016	KRA107M-T	D TRANSISTOR		
	C1035	QEKCIHM-476Z	E CAPACITOR	47MF 20% 16V			Q1017	KRA107M-T	D TRANSISTOR		
	C1036	QEKCIHM-106Z	E CAPACITOR	10MF 20% 16V			Q1018	KRA107M-T	D TRANSISTOR		
	C1037	QCZ0202-155Z	ML C CAPACITOR	1.5MF			Q1019	KRA107M-T	D TRANSISTOR		
	C1038	QEKCIHM-476Z	E CAPACITOR	47MF 20% 16V			Q1020	KRA107M-T	D TRANSISTOR		
	C1041	NCB31HK-471X	C CAPACITOR				Q1021	KRC111M-T	TRANSISTOR		
	C1042	NCB31HK-471X	C CAPACITOR				Q1022	KRC109M-T	D TRANSISTOR		
	C1043	NCB31HK-471X	C CAPACITOR				Q1023	KRC107M-T	D TRANSISTOR		
	C1044	NCB31HK-471X	C CAPACITOR				Q1031	KRA107M-T	D TRANSISTOR		
	C1045	NCB31HK-471X	C CAPACITOR				Q1032	KRA107M-T	D TRANSISTOR		
	C1046	NCB31HK-471X	C CAPACITOR				Q1033	KRA107M-T	D TRANSISTOR		
	C1047	NCB31HK-471X	C CAPACITOR				Q1034	KRA107M-T	D TRANSISTOR		
	C1059	NCF31CZ-104X	C CAPACITOR				Q1035	KRC103M-T	TRANSISTOR		
	C1060	NCF31CZ-104X	C CAPACITOR				Q1201	KRA107M-T	D TRANSISTOR		
	C1061	QCBB1HK-101Y	C CAPACITOR	100PF 10% 50V			Q1202	KTA1273Y/T	TRANSISTOR		
	C1201	NCB31HK-102X	C CAPACITOR				R 471	QRE141J-750Y	C RESISTOR	75 5% 1/4W	
	C1202	QFLC1HJ-104Z	M CAPACITOR	0.1MF 5% 50V			R 472	QRE141J-750Y	C RESISTOR	75 5% 1/4W	
	C1203	QETN1AM-107Z	E CAPACITOR	100MF 20% 10V			R 473	QRE141J-750Y	C RESISTOR	75 5% 1/4W	
	C1204	QETN1AM-107Z	E CAPACITOR	100MF 20% 10V			RA966	QRB169J-104	R NETWORK	100K 5% 1/6W	
	C1211	NCB31HK-221X	C CAPACITOR				R1003	QRE141J-331Y	C RESISTOR	330 5% 1/4W	
	C1212	NCB31HK-221X	C CAPACITOR				R1004	QRE141J-223Y	C RESISTOR	22K 5% 1/4W	
	C1213	NCB31HK-221X	C CAPACITOR				R1005	QRE141J-472Y	C RESISTOR	4.7K 5% 1/4W	
	DI961	QLF0087-001	FL TUBE				R1011	QRE141J-513Y	C RESISTOR	51K 5% 1/4W	
	D1001	1SR35-400A-T5	DIODE				R1021	QRE141J-471Y	C RESISTOR	470 5% 1/4W	
	D1002	1SR35-400A-T5	DIODE				R1022	QRE141J-103Y	C RESISTOR	10K 5% 1/4W	
	D1003	1SR35-400A-T5	DIODE				R1023	QRE141J-103Y	C RESISTOR	10K 5% 1/4W	
	D1004	1SR35-400A-T5	DIODE				R1024	QRE141J-223Y	C RESISTOR	22K 5% 1/4W	
	D1005	1SS133-T2	SI DIODE				R1025	QRE141J-103Y	C RESISTOR	10K 5% 1/4W	
	D1023	1SS133-T2	SI DIODE				R1030	QRE141J-103Y	C RESISTOR	10K 5% 1/4W	
	D1024	1SS133-T2	SI DIODE				R1031	QRE141J-221Y	C RESISTOR	220 5% 1/4W	

■ Electrical parts list

(Front & system control board)

Block No. 04

△	Item	Parts number	Parts name	Remarks	Area	△	Item	Parts number	Parts name	Remarks	Area
	R1032	QRE141J-221Y	C RESISTOR	220 5% 1/4W	C		R1126	NRSA63J-102X	MG RESISTOR		
	R1033	QRE141J-221Y	C RESISTOR	220 5% 1/4W			R1127	NRSA63J-122X	MG RESISTOR		
	R1034	QRD161J-122	C RESISTOR	1.2K 5% 1/6W			R1128	NRSA63J-152X	MG RESISTOR		
	R1035	QRE141J-100Y	C RESISTOR	10 5% 1/4W			R1129	NRSA63J-222X	MG RESISTOR		
	R1036	QRE141J-100Y	C RESISTOR	10 5% 1/4W			R1130	NRSA63J-272X	MG RESISTOR		
	R1037	QRE141J-153Y	C RESISTOR	15K 5% 1/4W			R1131	NRSA63J-102X	MG RESISTOR		
	R1038	QRE141J-333Y	C RESISTOR	33K 5% 1/4W			R1132	NRSA63J-102X	MG RESISTOR		
	R1039	QRE141J-273Y	C RESISTOR	27K 5% 1/4W			R1133	NRSA63J-122X	MG RESISTOR		
	R1041	NRSA63J-103X	MG RESISTOR				R1134	NRSA63J-152X	MG RESISTOR		
	R1042	NRSA63J-103X	MG RESISTOR				R1135	NRSA63J-222X	MG RESISTOR		
	R1043	NRSA63J-103X	MG RESISTOR			R1141	NRSA63J-152X	MG RESISTOR			
	R1044	NRSA63J-103X	MG RESISTOR			R1142	NRSA63J-222X	MG RESISTOR			
	R1045	NRSA63J-103X	MG RESISTOR			R1143	NRSA63J-272X	MG RESISTOR			
	R1046	NRSA63J-103X	MG RESISTOR			R1144	NRSA63J-332X	MG RESISTOR			
	R1047	NRSA63J-103X	MG RESISTOR			R1151	NRSA63J-221X	MG RESISTOR			
	R1048	NRSA63J-103X	MG RESISTOR			R1152	NRSA63J-221X	MG RESISTOR			
	R1049	NRSA63J-103X	MG RESISTOR			R1153	NRSA63J-221X	MG RESISTOR			
	R1050	NRSA63J-103X	MG RESISTOR			R1154	NRSA63J-221X	MG RESISTOR			
	R1051	NRSA63J-102X	MG RESISTOR			R1155	NRSA63J-221X	MG RESISTOR			
	R1052	NRSA63J-102X	MG RESISTOR			R1156	NRSA63J-221X	MG RESISTOR			
	R1053	NRSA63J-122X	MG RESISTOR			R1157	NRSA63J-221X	MG RESISTOR			
	R1056	NRSA63J-102X	MG RESISTOR			R1158	NRSA63J-221X	MG RESISTOR			
	R1059	NRSA63J-104X	MG RESISTOR			R1161	NRSA63J-221X	MG RESISTOR			
	R1060	NRSA63J-104X	MG RESISTOR			R1162	NRSA63J-221X	MG RESISTOR			
	R1061	NRSA63J-103X	MG RESISTOR			R1163	NRSA63J-221X	MG RESISTOR			
	R1062	NRSA63J-103X	MG RESISTOR			R1164	NRSA63J-221X	MG RESISTOR			
	R1063	NRSA63J-103X	MG RESISTOR			R1165	NRSA63J-221X	MG RESISTOR			
	R1064	NRSA63J-103X	MG RESISTOR			R1166	NRSA63J-221X	MG RESISTOR			
	R1065	NRSA63J-103X	MG RESISTOR			R1167	NRSA63J-221X	MG RESISTOR			
	R1066	NRSA63J-103X	MG RESISTOR			R1168	NRSA63J-221X	MG RESISTOR			
	R1067	NRSA63J-103X	MG RESISTOR			R1169	NRSA63J-221X	MG RESISTOR			
	R1071	NRSA63J-221X	MG RESISTOR			R1170	NRSA63J-221X	MG RESISTOR			
	R1072	NRSA63J-221X	MG RESISTOR			R1171	NRSA63J-221X	MG RESISTOR			
	R1073	NRSA63J-221X	MG RESISTOR			R1172	NRSA63J-221X	MG RESISTOR			
	R1074	NRSA63J-221X	MG RESISTOR			R1173	NRSA63J-221X	MG RESISTOR			
	R1075	NRSA63J-221X	MG RESISTOR			R1174	NRSA63J-221X	MG RESISTOR			
	R1076	NRSA63J-221X	MG RESISTOR			R1175	NRSA63J-221X	MG RESISTOR			
	R1081	NRSA63J-103X	MG RESISTOR			R1176	NRSA63J-221X	MG RESISTOR			
	R1082	NRSA63J-103X	MG RESISTOR			R1177	NRSA63J-221X	MG RESISTOR			
	R1083	NRSA63J-103X	MG RESISTOR			R1178	NRSA63J-221X	MG RESISTOR			
	R1084	NRSA63J-474X	MG RESISTOR			R1179	NRSA63J-221X	MG RESISTOR			
	R1085	NRSA63J-103X	MG RESISTOR			R1180	NRSA63J-221X	MG RESISTOR			
	R1086	NRSA63J-103X	MG RESISTOR			R1181	NRSA63J-221X	MG RESISTOR			
	R1091	NRSA63J-221X	MG RESISTOR			R1182	NRSA63J-221X	MG RESISTOR			
	R1092	NRSA63J-221X	MG RESISTOR			R1183	NRSA63J-221X	MG RESISTOR			
	R1093	NRSA63J-221X	MG RESISTOR			R1184	NRSA63J-221X	MG RESISTOR			
	R1094	NRSA63J-221X	MG RESISTOR			R1191	NRSA63J-221X	MG RESISTOR			
	R1095	NRSA63J-221X	MG RESISTOR			R1192	NRSA63J-221X	MG RESISTOR			
	R1096	NRSA63J-221X	MG RESISTOR			R1193	NRSA63J-221X	MG RESISTOR			
	R1097	NRSA63J-221X	MG RESISTOR			R1194	NRSA63J-221X	MG RESISTOR			
	R1098	NRSA63J-221X	MG RESISTOR			R1195	NRSA63J-221X	MG RESISTOR			
	R1099	NRSA63J-221X	MG RESISTOR			R1196	NRSA63J-221X	MG RESISTOR			
	R1101	NRSA63J-102X	MG RESISTOR			R1197	NRSA63J-221X	MG RESISTOR			
	R1102	NRSA63J-102X	MG RESISTOR			R1198	NRSA63J-221X	MG RESISTOR			
	R1103	NRSA63J-122X	MG RESISTOR			R1201	NRSA63J-393X	MG RESISTOR			
	R1104	NRSA63J-152X	MG RESISTOR			R1202	NRSA63J-393X	MG RESISTOR			
	R1105	NRSA63J-222X	MG RESISTOR			R1203	NRSA63J-104X	MG RESISTOR			
	R1106	NRSA63J-272X	MG RESISTOR			R1204	NRSA63J-273X	MG RESISTOR			
	R1107	NRSA63J-332X	MG RESISTOR			R1205	NRSA63J-104X	MG RESISTOR			
	R1122	NRSA63J-102X	MG RESISTOR			R1206	NRSA63J-103X	MG RESISTOR			
	R1123	NRSA63J-102X	MG RESISTOR			R1207	QRJ146J-5R6X	UNF C RESISTOR	5.6 5% 1/4W		
	R1124	NRSA63J-122X	MG RESISTOR			R1208	NRSA63J-102X	MG RESISTOR			
	R1125	NRSA63J-102X	MG RESISTOR			R1209	NRSA63J-152X	MG RESISTOR			

■ Electrical parts list

(Front & system control board)

Block No. 04

△	Item	Parts number	Parts name	Remarks	Area
	R1211	NRSA63J-221X	MG RESISTOR		
	R1212	NRSA63J-471X	MG RESISTOR		
	R1213	NRSA63J-221X	MG RESISTOR		
	R1214	NRSA63J-101X	MG RESISTOR		
	R1215	NRSA63J-221X	MG RESISTOR		
	R1216	NRSA63J-221X	MG RESISTOR		
	S1001	QSW0683-001Z	PUSH SWITCH	(SURROUND)	
	S1002	QSW0683-001Z	PUSH SWITCH	(DSP MODE)	
	S1003	QSW0683-001Z	PUSH SWITCH	(DIRECT)	
	S1004	QSW0683-001Z	PUSH SWITCH	(THX)	
	S1005	QSW0683-001Z	PUSH SWITCH	(SPK1)	
	S1006	QSW0683-001Z	PUSH SWITCH	(SPK2)	
	S1007	QSW0683-001Z	PUSH SWITCH	(SUBROOM CONT)	
	S1022	QSW0683-001Z	PUSH SWITCH	(MAIN ROOM)	
	S1023	QSW0683-001Z	PUSH SWITCH	(SUB ROOM)	
	S1024	QSW0683-001Z	PUSH SWITCH	(POWER)	
	S1025	QSW0683-001Z	PUSH SWITCH	(DOWN)	
	S1026	QSW0683-001Z	PUSH SWITCH	(LEFT)	
	S1027	QSW0683-001Z	PUSH SWITCH	(SET)	
	S1028	QSW0683-001Z	PUSH SWITCH	(SETUP)	
	S1029	QSW0683-001Z	PUSH SWITCH	(FM MODE)	
	S1030	QSW0683-001Z	PUSH SWITCH	(SOUND SEL)	
	S1031	QSW0683-001Z	PUSH SWITCH	(UP)	
	S1032	QSW0683-001Z	PUSH SWITCH	(RIGHT)	
	S1033	QSW0683-001Z	PUSH SWITCH	(EXIT)	
	S1034	QSW0683-001Z	PUSH SWITCH	(ADJUST)	
	S1035	QSW0683-001Z	PUSH SWITCH	(INPUT MODE)	
	S1041	QSW0683-001Z	PUSH SWITCH	(EX K2)	
	S1042	QSW0683-001Z	PUSH SWITCH	(DIMMER)	
	S1043	QSW0683-001Z	PUSH SWITCH	(DOOR OPEN)	
	S1044	QSW0683-001Z	PUSH SWITCH	(DOOR CLOSE)	
	S1051	QSW0851-001	DETECT SWITCH		
	S1052	QSW0851-001	DETECT SWITCH		
	WR301	QJK017-030803	SIN CR C-B WIRE		
	WR961	QJK030-075002	SIN CR C-B WIRE		
	WR962	QJK030-081803	SIN CR C-B WIRE		
	WR965	QJK016-092404	SIN CR C-B WIRE		
	WR966	QJK016-062401	SIN CR C-B WIRE		
	WR967	QJK016-082802	SIN CR C-B WIRE		
	WR968	QJK016-094403	SIN CR C-B WIRE		
	WR970	QJK016-090802	SIN CR C-B WIRE		
	WR972	QJK016-021002	SIN CR C-B WIRE		
	WR977	QJK030-042404	SIN CR C-B WIRE		
	WR984	QJK016-101104	SIN CR C-B WIRE		
	WR986	QJK016-061102	SIN CR C-B WIRE		
	X1001	QAX0246-001Z	RESONATOR		
	X1002	QAX0246-001Z	RESONATOR		

■ Electrical parts list (DSP board)

Block No. 05

▲	Item	Parts number	Parts name	Remarks	Area	▲	Item	Parts number	Parts name	Remarks	Area
	C 501	QETN1CM-476Z	E CAPACITOR	47MF 20% 16V			C3122	NCB31HK-103X	C CAPACITOR		
	C 502	QETN1CM-476Z	E CAPACITOR	47MF 20% 16V			C3125	NCB31HK-102X	C CAPACITOR		
	C 503	QETN1CM-476Z	E CAPACITOR	47MF 20% 16V			C3126	NCB31HK-102X	C CAPACITOR		
	C 504	QETN1CM-476Z	E CAPACITOR	47MF 20% 16V			C3129	QETN1HM-475Z	E CAPACITOR	4.7MF 20% 50V	
	C 505	QETN1CM-476Z	E CAPACITOR	47MF 20% 16V			C3130	QETN1HM-475Z	E CAPACITOR	4.7MF 20% 50V	
	C 506	QETN1CM-476Z	E CAPACITOR	47MF 20% 16V			C3137	QETN1HM-475Z	E CAPACITOR	4.7MF 20% 50V	
	C 511	NCF21CZ-225X	C CAPACITOR				C3138	QETN1HM-475Z	E CAPACITOR	4.7MF 20% 50V	
	C 512	NCF21CZ-225X	C CAPACITOR				C3139	NCB31HK-182X	C CAPACITOR		
	C 513	QETN1CM-476Z	E CAPACITOR	47MF 20% 16V			C3140	NCB31HK-182X	C CAPACITOR		
	C 514	QETN1CM-476Z	E CAPACITOR	47MF 20% 16V			C3141	QETN1HM-475Z	E CAPACITOR	4.7MF 20% 50V	
	C 515	QETN1CM-476Z	E CAPACITOR	47MF 20% 16V			C3142	QETN1HM-475Z	E CAPACITOR	4.7MF 20% 50V	
	C 521	QETN1AM-107Z	E CAPACITOR	100MF 20% 10V			C3143	NCS31HJ-100X	C CAPACITOR		
	C 522	QETN1AM-337Z	E CAPACITOR	330MF 20% 10V			C3144	NCS31HJ-100X	C CAPACITOR		
	C 523	QETN1AM-477Z	E CAPACITOR	470MF 20% 10V			C3145	NCF31CZ-104X	C CAPACITOR		
	C 524	QETN1CM-476Z	E CAPACITOR	47MF 20% 16V			C3146	NCF31CZ-104X	C CAPACITOR		
	C 525	QETN1AM-107Z	E CAPACITOR	100MF 20% 10V			C3151	QETN1HM-106Z	E CAPACITOR	10MF 20% 50V	
	C 526	QETN1AM-477Z	E CAPACITOR	470MF 20% 10V			C3152	QETN1HM-106Z	E CAPACITOR	10MF 20% 50V	
	C 527	QETN1CM-476Z	E CAPACITOR	47MF 20% 16V			C3153	QETN1HM-106Z	E CAPACITOR	10MF 20% 50V	
	C 528	QETN1AM-107Z	E CAPACITOR	100MF 20% 10V			C3154	QETN1HM-106Z	E CAPACITOR	10MF 20% 50V	
	C 529	QETN1AM-477Z	E CAPACITOR	470MF 20% 10V			C3155	NCF31CZ-104X	C CAPACITOR		
	C 530	NCF31HZ-473X	C CAPACITOR				C3156	NCF31CZ-104X	C CAPACITOR		
	C 531	QETN1AM-107Z	E CAPACITOR	100MF 20% 10V			C3171	NCS31HJ-101X	C CAPACITOR		
	CN 83	QGA3901C1-05	5P CONNECTOR				C3172	NCB31HK-103X	C CAPACITOR		
	CN 84	QGA3901C1-05	5P CONNECTOR				C3173	NCB31HK-103X	C CAPACITOR		
	CN501	QGB2510K2-08	CONNECTOR				C3174	NCB31HK-103X	C CAPACITOR		
	CN631	QGA2001F1-03	CONNECTOR				C3175	NCB31HK-103X	C CAPACITOR		
	CN633	QGB2510K1-11	CONNECTOR				C3181	QETN1HM-106Z	E CAPACITOR	10MF 20% 50V	
	C3001	QETN1HM-475Z	E CAPACITOR	4.7MF 20% 50V			C3182	QETN1HM-106Z	E CAPACITOR	10MF 20% 50V	
	C3002	QETN1HM-475Z	E CAPACITOR	4.7MF 20% 50V			C3183	NCB30JK-105X	C CAPACITOR		
	C3003	NCB31HK-561X	C CAPACITOR				C3184	NCB30JK-105X	C CAPACITOR		
	C3004	NCB31HK-561X	C CAPACITOR				C3185	NCB31AK-224X	C CAPACITOR		
	C3005	NCS31HJ-680X	C CAPACITOR				C3186	NCB31HK-103X	C CAPACITOR		
	C3006	NCS31HJ-680X	C CAPACITOR				C3187	QETN1HM-106Z	E CAPACITOR	10MF 20% 50V	
	C3007	NCS31HJ-181X	C CAPACITOR				C3188	NCB30JK-105X	C CAPACITOR		
	C3008	NCS31HJ-181X	C CAPACITOR				C3189	NCB30JK-105X	C CAPACITOR		
	C3009	QETN1HM-106Z	E CAPACITOR	10MF 20% 50V			C3190	NCF31CZ-104X	C CAPACITOR		
	C3010	QETN1HM-106Z	E CAPACITOR	10MF 20% 50V			C3191	QETN1HM-106Z	E CAPACITOR	10MF 20% 50V	
	C3013	NCS31HJ-330X	C CAPACITOR				C3192	QETN1HM-106Z	E CAPACITOR	10MF 20% 50V	
	C3014	NCS31HJ-330X	C CAPACITOR				C3193	QETN1HM-474Z	E CAPACITOR	0.47MF 20% 50V	
	C3018	QETN1CM-476Z	E CAPACITOR	47MF 20% 16V			C3194	NCF31CZ-104X	C CAPACITOR		
	C3019	QETN1HM-106Z	E CAPACITOR	10MF 20% 50V			C3195	NCF31CZ-104X	C CAPACITOR		
	C3020	QETN1HM-106Z	E CAPACITOR	10MF 20% 50V			C3196	NCF31CZ-104X	C CAPACITOR		
	C3031	QETN1HM-106Z	E CAPACITOR	10MF 20% 50V			C3197	NEA70JM-107X	E CAPACITOR		
	C3032	QETN1HM-106Z	E CAPACITOR	10MF 20% 50V			C3198	NCF31CZ-104X	C CAPACITOR		
	C3033	NCB31CK-104X	C CAPACITOR				C3201	NCB31HK-182X	C CAPACITOR		
	C3034	NCB31CK-104X	C CAPACITOR				C3202	NCB31HK-182X	C CAPACITOR		
	C3035	NCB31AK-224X	C CAPACITOR				C3211	NCS31HJ-181X	C CAPACITOR		
	C3036	NCB31AK-224X	C CAPACITOR				C3212	NCS31HJ-181X	C CAPACITOR		
	C3037	QETN1HM-106Z	E CAPACITOR	10MF 20% 50V			C3215	NCB31CK-683X	C CAPACITOR		
	C3038	QETN1HM-106Z	E CAPACITOR	10MF 20% 50V			C3216	NCB31CK-683X	C CAPACITOR		
	C3039	NCS31HJ-101X	C CAPACITOR				C3217	QETN1HM-475Z	E CAPACITOR	4.7MF 20% 50V	
	C3040	NCS31HJ-101X	C CAPACITOR				C3218	QETN1HM-475Z	E CAPACITOR	4.7MF 20% 50V	
	C3041	NCS31HJ-100X	C CAPACITOR				C3221	NCB31HK-222X	C CAPACITOR		
	C3042	NCS31HJ-100X	C CAPACITOR				C3222	QETN1HM-474Z	E CAPACITOR	0.47MF 20% 50V	
	C3045	NCF31CZ-104X	C CAPACITOR				C3223	NCB31HK-122X	C CAPACITOR		
	C3046	NCF31CZ-104X	C CAPACITOR				C3225	NCB31HK-103X	C CAPACITOR		
	C3101	NCB31HK-182X	C CAPACITOR				C3226	NCB30JK-105X	C CAPACITOR		
	C3102	NCB31HK-182X	C CAPACITOR				C3229	QETN1HM-475Z	E CAPACITOR	4.7MF 20% 50V	
	C3111	NCS31HJ-181X	C CAPACITOR				C3230	QETN1HM-475Z	E CAPACITOR	4.7MF 20% 50V	
	C3112	NCS31HJ-181X	C CAPACITOR				C3237	QETN1HM-475Z	E CAPACITOR	4.7MF 20% 50V	
	C3115	NCB31CK-683X	C CAPACITOR				C3238	QETN1HM-475Z	E CAPACITOR	4.7MF 20% 50V	
	C3116	NCB31CK-683X	C CAPACITOR				C3239	NCB31HK-182X	C CAPACITOR		
	C3121	NCB31HK-103X	C CAPACITOR				C3240	NCB31HK-182X	C CAPACITOR		

■ Electrical parts list (DSP board)

Block No. 05

△	Item	Parts number	Parts name	Remarks	Area	△	Item	Parts number	Parts name	Remarks	Area
	C3251	QETN1HM-106Z	E CAPACITOR	10MF 20% 50V			C3375	NCB31HK-103X	C CAPACITOR		
	C3252	QETN1HM-106Z	E CAPACITOR	10MF 20% 50V			C3381	QETN1HM-106Z	E CAPACITOR	10MF 20% 50V	
	C3253	QETN1HM-106Z	E CAPACITOR	10MF 20% 50V			C3382	QETN1HM-106Z	E CAPACITOR	10MF 20% 50V	
	C3254	QETN1HM-106Z	E CAPACITOR	10MF 20% 50V			C3383	NCB30JK-105X	C CAPACITOR		
	C3255	QETN1HM-106Z	E CAPACITOR	10MF 20% 50V			C3384	NCB30JK-105X	C CAPACITOR		
	C3256	QETN1HM-106Z	E CAPACITOR	10MF 20% 50V			C3385	NCB31AK-224X	C CAPACITOR		
	C3261	NCF31CZ-104X	C CAPACITOR				C3386	NCB31HK-103X	C CAPACITOR		
	C3262	NCF31CZ-104X	C CAPACITOR				C3387	QETN1HM-106Z	E CAPACITOR	10MF 20% 50V	
	C3263	NCS31HJ-330X	C CAPACITOR				C3388	NCB30JK-105X	C CAPACITOR		
	C3264	QETN1HM-475Z	E CAPACITOR	4.7MF 20% 50V			C3389	NCB30JK-105X	C CAPACITOR		
	C3266	NCB30JK-105X	C CAPACITOR				C3397	NEA70JM-107X	E CAPACITOR		
	C3267	QETN1HM-224Z	E CAPACITOR	0.22MF 20% 50V			C3398	NCF31CZ-104X	C CAPACITOR		
	C3268	NCB31AK-474X	C CAPACITOR				C3401	NCB31HK-182X	C CAPACITOR		
	C3271	NCS31HJ-101X	C CAPACITOR				C3402	NCB31HK-182X	C CAPACITOR		
	C3272	NCB31HK-103X	C CAPACITOR				C3411	NCS31HJ-181X	C CAPACITOR		
	C3273	NCB31HK-103X	C CAPACITOR				C3412	NCS31HJ-181X	C CAPACITOR		
	C3274	NCB31HK-103X	C CAPACITOR				C3415	NCB31CK-683X	C CAPACITOR		
	C3275	NCB31HK-103X	C CAPACITOR				C3416	NCB31CK-683X	C CAPACITOR		
	C3281	QETN1HM-106Z	E CAPACITOR	10MF 20% 50V			C3417	QETN1HM-475Z	E CAPACITOR	4.7MF 20% 50V	
	C3282	QETN1HM-106Z	E CAPACITOR	10MF 20% 50V			C3418	QETN1HM-475Z	E CAPACITOR	4.7MF 20% 50V	
	C3283	NCB30JK-105X	C CAPACITOR				C3421	NCB31HK-222X	C CAPACITOR		
	C3284	NCB30JK-105X	C CAPACITOR				C3422	NCB31HK-222X	C CAPACITOR		
	C3285	NCB31AK-224X	C CAPACITOR				C3423	NCB31HK-122X	C CAPACITOR		
	C3286	NCB31HK-103X	C CAPACITOR				C3424	NCB31HK-122X	C CAPACITOR		
	C3287	QETN1HM-106Z	E CAPACITOR	10MF 20% 50V			C3425	NCB31HK-103X	C CAPACITOR		
	C3288	NCB30JK-105X	C CAPACITOR				C3426	NCB31HK-103X	C CAPACITOR		
	C3289	NCB30JK-105X	C CAPACITOR				C3429	QETN1HM-475Z	E CAPACITOR	4.7MF 20% 50V	
	C3291	QETN1HM-475Z	E CAPACITOR	4.7MF 20% 50V			C3430	QETN1HM-475Z	E CAPACITOR	4.7MF 20% 50V	
	C3292	QETN1HM-475Z	E CAPACITOR	4.7MF 20% 50V			C3437	QETN1HM-475Z	E CAPACITOR	4.7MF 20% 50V	
	C3293	NCF31CZ-104X	C CAPACITOR				C3438	QETN1HM-475Z	E CAPACITOR	4.7MF 20% 50V	
	C3294	NCF31CZ-104X	C CAPACITOR				C3439	NCB31HK-182X	C CAPACITOR		
	C3297	NEA70JM-107X	E CAPACITOR				C3440	NCB31HK-182X	C CAPACITOR		
	C3298	NCF31CZ-104X	C CAPACITOR				C3451	QETN1HM-106Z	E CAPACITOR	10MF 20% 50V	
	C3301	NCB31HK-182X	C CAPACITOR				C3452	QETN1HM-106Z	E CAPACITOR	10MF 20% 50V	
	C3302	NCB31HK-182X	C CAPACITOR				C3453	QETN1HM-106Z	E CAPACITOR	10MF 20% 50V	
	C3311	NCS31HJ-181X	C CAPACITOR				C3454	QETN1HM-106Z	E CAPACITOR	10MF 20% 50V	
	C3312	NCS31HJ-181X	C CAPACITOR				C3455	QETN1HM-106Z	E CAPACITOR	10MF 20% 50V	
	C3315	NCB31CK-683X	C CAPACITOR				C3456	QETN1HM-106Z	E CAPACITOR	10MF 20% 50V	
	C3316	NCB31CK-683X	C CAPACITOR				C3471	NCS31HJ-101X	C CAPACITOR		
	C3317	QETN1HM-475Z	E CAPACITOR	4.7MF 20% 50V			C3472	NCB31HK-103X	C CAPACITOR		
	C3318	QETN1HM-475Z	E CAPACITOR	4.7MF 20% 50V			C3473	NCB31HK-103X	C CAPACITOR		
	C3321	NCB31HK-222X	C CAPACITOR				C3474	NCB31HK-103X	C CAPACITOR		
	C3322	NCB31HK-222X	C CAPACITOR				C3475	NCB31HK-103X	C CAPACITOR		
	C3323	NCB31HK-122X	C CAPACITOR				C3481	QETN1HM-106Z	E CAPACITOR	10MF 20% 50V	
	C3324	NCB31HK-122X	C CAPACITOR				C3482	QETN1HM-106Z	E CAPACITOR	10MF 20% 50V	
	C3325	NCB31HK-103X	C CAPACITOR				C3483	NCB30JK-105X	C CAPACITOR		
	C3326	NCB31HK-103X	C CAPACITOR				C3484	NCB30JK-105X	C CAPACITOR		
	C3329	QETN1HM-475Z	E CAPACITOR	4.7MF 20% 50V			C3485	NCB31AK-224X	C CAPACITOR		
	C3330	QETN1HM-475Z	E CAPACITOR	4.7MF 20% 50V			C3486	NCB31HK-103X	C CAPACITOR		
	C3337	QETN1HM-475Z	E CAPACITOR	4.7MF 20% 50V			C3487	QETN1HM-106Z	E CAPACITOR	10MF 20% 50V	
	C3338	QETN1HM-475Z	E CAPACITOR	4.7MF 20% 50V			C3488	NCB30JK-105X	C CAPACITOR		
	C3339	NCB31HK-182X	C CAPACITOR				C3489	NCB30JK-105X	C CAPACITOR		
	C3340	NCB31HK-182X	C CAPACITOR				C3497	NEA70JM-107X	E CAPACITOR		
	C3351	QETN1HM-106Z	E CAPACITOR	10MF 20% 50V			C3498	NCF31CZ-104X	C CAPACITOR		
	C3352	QETN1HM-106Z	E CAPACITOR	10MF 20% 50V			C3501	NCB31HK-103X	C CAPACITOR		
	C3353	QETN1HM-106Z	E CAPACITOR	10MF 20% 50V			C3502	NCB31HK-103X	C CAPACITOR		
	C3354	QETN1HM-106Z	E CAPACITOR	10MF 20% 50V			C3503	NCB31HK-103X	C CAPACITOR		
	C3355	QETN1HM-106Z	E CAPACITOR	10MF 20% 50V			C3504	NCB31HK-103X	C CAPACITOR		
	C3356	QETN1HM-106Z	E CAPACITOR	10MF 20% 50V			C3505	NCB31HK-103X	C CAPACITOR		
	C3371	NCS31HJ-101X	C CAPACITOR				C3506	NCB31HK-103X	C CAPACITOR		
	C3372	NCB31HK-103X	C CAPACITOR				C3507	NCB31HK-103X	C CAPACITOR		
	C3373	NCB31HK-103X	C CAPACITOR				C3508	NCB31HK-103X	C CAPACITOR		
	C3374	NCB31HK-103X	C CAPACITOR				C3509	NCB31HK-103X	C CAPACITOR		

■ Electrical parts list (DSP board)

Block No. 05

▲	Item	Parts number	Parts name	Remarks	Area	▲	Item	Parts number	Parts name	Remarks	Area
	C3510	NCB31HK-103X	C CAPACITOR				C3805	NCF31CZ-104X	C CAPACITOR		
	C3511	NCB31HK-103X	C CAPACITOR				C3806	NCF31CZ-104X	C CAPACITOR		
	C3512	NCB31HK-103X	C CAPACITOR				C3807	NCF31CZ-104X	C CAPACITOR		
	C3513	NCB31HK-103X	C CAPACITOR				C3808	NCF31CZ-104X	C CAPACITOR		
	C3514	NCB31HK-103X	C CAPACITOR				C3811	NCF31CZ-104X	C CAPACITOR		
	C3515	NCB31HK-103X	C CAPACITOR				C3900	NCB30JK-105X	C CAPACITOR		
	C3516	NCB31HK-103X	C CAPACITOR				C3901	NCB30JK-105X	C CAPACITOR		
	C3517	NCB31HK-103X	C CAPACITOR				C3902	NCB30JK-105X	C CAPACITOR		
	C3518	NCB31HK-103X	C CAPACITOR				C3903	NCB30JK-105X	C CAPACITOR		
	C3519	NCB31HK-103X	C CAPACITOR				C3905	NCB30JK-105X	C CAPACITOR		
	C3520	NCB31HK-103X	C CAPACITOR				C3906	NCB30JK-105X	C CAPACITOR		
	C3521	NEA70JM-107X	E CAPACITOR				C3910	NCF31CZ-104X	C CAPACITOR		
	C3523	NCF31CZ-104X	C CAPACITOR				C3911	NCF31CZ-104X	C CAPACITOR		
	C3525	NCB31HK-123X	C CAPACITOR				C3912	NCF31CZ-104X	C CAPACITOR		
	C3601	NCB31HK-103X	C CAPACITOR				C3913	NCF31CZ-104X	C CAPACITOR		
	C3602	NCB31HK-103X	C CAPACITOR				C3915	NCF31CZ-104X	C CAPACITOR		
	C3603	NCB31HK-103X	C CAPACITOR				C3916	NCF31CZ-104X	C CAPACITOR		
	C3604	NCB31HK-103X	C CAPACITOR				C3919	NEA70JM-107X	E CAPACITOR		
	C3605	NCB31HK-103X	C CAPACITOR				C3921	NCS31HJ-101X	C CAPACITOR		
	C3606	NCB31HK-103X	C CAPACITOR				C3922	NCS31HJ-101X	C CAPACITOR		
	C3607	NCB31HK-103X	C CAPACITOR				C3923	NCF31CZ-104X	C CAPACITOR		
	C3608	NCB31HK-103X	C CAPACITOR				C3924	NCF31CZ-104X	C CAPACITOR		
	C3609	NCB31HK-103X	C CAPACITOR				C3990	QETN1AM-107Z	E CAPACITOR	100MF 20% 10V	
	C3610	NCB31HK-103X	C CAPACITOR				C3991	QETN1AM-107Z	E CAPACITOR	100MF 20% 10V	
	C3611	NCB31HK-103X	C CAPACITOR				C3992	QETN1AM-107Z	E CAPACITOR	100MF 20% 10V	
	C3612	NCB31HK-103X	C CAPACITOR				C3993	QETN1AM-107Z	E CAPACITOR	100MF 20% 10V	
	C3613	NCB31HK-103X	C CAPACITOR				C3995	QETN1AM-227Z	E CAPACITOR	220MF 20% 10V	
	C3614	NCB31HK-103X	C CAPACITOR				C3996	QETN1AM-227Z	E CAPACITOR	220MF 20% 10V	
	C3615	NCB31HK-103X	C CAPACITOR				C3999	QETN1AM-477Z	E CAPACITOR	470MF 20% 10V	
	C3616	NCB31HK-103X	C CAPACITOR				C5001	NCB30JK-105X	C CAPACITOR		
	C3617	NCB31HK-103X	C CAPACITOR				C5002	NCB31AK-224X	C CAPACITOR		
	C3618	NCB31HK-103X	C CAPACITOR			▲	D 745	F10P20F	DIODE		
	C3619	NCB31HK-103X	C CAPACITOR			▲	D 746	F10P20FR	DIODE		
	C3620	NCB31HK-103X	C CAPACITOR			▲	D 795	F10P20F	DIODE		
	C3621	NEA70JM-107X	E CAPACITOR			▲	D 796	F10P20FR	DIODE		
	C3623	NCF31CZ-104X	C CAPACITOR			▲	D 845	F10P20F	DIODE		
	C3625	NCB31HK-123X	C CAPACITOR			▲	D 846	F10P20FR	DIODE		
	C3631	NEA71CM-106X	E CAPACITOR				D3191	MA3068/M-X	ZENER DIODE		
	C3632	NCB31HK-103X	C CAPACITOR				D3192	MA3068/M-X	ZENER DIODE		
	C3633	NEA71CM-106X	E CAPACITOR				D5001	UDZS5.1B-X	ZENER DIODE		
	C3634	NCB31HK-103X	C CAPACITOR				EP710	E409182-001SM	GRAND TERMINAL		
	C3635	NEA71CM-106X	E CAPACITOR				IC501	TC74HC4053AF-X	IC		
	C3636	NCB31HK-103X	C CAPACITOR				IC502	TC74HC4053AF-X	IC		
	C3637	NEA71CM-106X	E CAPACITOR				IC503	MAX4018ESD-X	IC		
	C3638	NCB31HK-103X	C CAPACITOR				IC631	NJM4580E-W	IC		
	C3701	NCS31HJ-101X	C CAPACITOR				IC632	NJM4580E-W	IC		
	C3702	NEA71HM-105X	E CAPACITOR				IC633	NJM4580E-W	IC		
	C3703	NCF31CZ-104X	C CAPACITOR				IC634	MN35505-X	IC		
	C3704	NCF31CZ-104X	C CAPACITOR				IC635	JCV8006	IC		
	C3705	NCF31CZ-104X	C CAPACITOR				IC636	NJM4580E-W	IC		
	C3706	NCF31CZ-104X	C CAPACITOR				IC637	NJM4580E-W	IC		
	C3713	NCS31HJ-330X	C CAPACITOR				IC638	NJM4580E-W	IC		
	C3715	NCF31CZ-104X	C CAPACITOR				IC639	MN35505-X	IC		
	C3721	NEA71CM-106X	E CAPACITOR				IC640	JCV8006	IC		
	C3722	NEA71CM-106X	E CAPACITOR				IC641	NJM4580E-W	IC		
	C3723	NCF31CZ-104X	C CAPACITOR				IC642	NJM4580E-W	IC		
	C3724	NCF31CZ-104X	C CAPACITOR				IC643	NJM4580E-W	IC		
	C3725	NCS31HJ-101X	C CAPACITOR				IC644	MN35505-X	IC		
	C3735	NCF31CZ-104X	C CAPACITOR				IC645	JCV8006	IC		
	C3801	NCF31CZ-104X	C CAPACITOR				IC646	NJM4580E-W	IC		
	C3802	NCF31CZ-104X	C CAPACITOR				IC647	NJM4580E-W	IC		
	C3803	NEA70JM-107X	E CAPACITOR				IC648	NJM4580E-W	IC		
	C3804	NCF31CZ-104X	C CAPACITOR				IC649	MN35505-X	IC		

■ Electrical parts list (DSP board)

Block No. 05

△	Item	Parts number	Parts name	Remarks	Area	△	Item	Parts number	Parts name	Remarks	Area
	IC650	JCV8006	IC				LC666	NQR0322-001X	EMI FILTER		
	IC652	NJM2121M-X	IC				LC667	NQR0322-001X	EMI FILTER		
	IC653	M62446FP-X	IC				LC668	NQR0322-001X	EMI FILTER		
	IC654	TC74HCT04AF-X	IC				LC669	NQR0322-001X	EMI FILTER		
	IC655	NJM4580E-W	IC				LC670	NQR0322-001X	EMI FILTER		
	IC656	NJM4580E-W	IC				LC671	NQR0322-001X	EMI FILTER		
	IC658	TC7S04FU-X	IC				LC673	NQR0322-001X	EMI FILTER		
	IC659	TC7WH74FU-X	IC				LC691	NQR0322-001X	EMI FILTER		
	IC660	TC7S04FU-X	IC				LC692	NQR0322-001X	EMI FILTER		
	IC661	XCA56367PV150	IC				Q3103	2SC2412K/RS/-X	CHIP TRANSISTOR		
	IC666	XCA56367PV150	IC				Q3104	2SC2412K/RS/-X	CHIP TRANSISTOR		
	IC667	39VF0207CWHM03	IC				Q3105	DTA114YE-X	TRANSISTOR		
	IC668	W24L010AJ-12-X	IC				Q3107	2SD1328/ST/-X	TRANSISTOR		
	IC669	W24L010AJ-12-X	IC				Q3108	2SD1328/ST/-X	TRANSISTOR		
	IC670	W24L010AJ-12-X	IC				Q3161	2SC2412K/RS/-X	CHIP TRANSISTOR		
	IC671	UPD784215AGC165	IC				Q3162	2SC2412K/RS/-X	CHIP TRANSISTOR		
	IC672	TC7S04FU-X	IC				Q3163	DTA114YE-X	TRANSISTOR		
	IC673	AK4112AVF-X	IC				Q3203	2SC2412K/RS/-X	CHIP TRANSISTOR		
	IC674	TC7WH241FU-X	IC				Q3207	2SD1328/ST/-X	TRANSISTOR		
	IC681	TC74VHC157FT-X	IC				Q3208	2SD1328/ST/-X	TRANSISTOR		
	IC682	TC74VHC157FT-X	IC				Q3261	2SC2412K/RS/-X	CHIP TRANSISTOR		
	IC683	TC74VHC74FT-X	IC				Q3263	DTA114YE-X	TRANSISTOR		
	IC684	TC7WH74FU-X	IC				Q3265	DTA114YE-X	TRANSISTOR		
	IC685	TC7WH241FU-X	IC				Q3266	2SD1328/ST/-X	TRANSISTOR		
	IC686	NJM4580E-W	IC				Q3291	DTC114YE-X	TRANSISTOR		
	IC687	NJM4580E-W	IC				Q3301	DTA114YE-X	TRANSISTOR		
	IC690	PQ20VZ11-X	IC				Q3303	2SC2412K/RS/-X	CHIP TRANSISTOR		
	IC691	PQ3DZ53-X	IC				Q3304	2SC2412K/RS/-X	CHIP TRANSISTOR		
	IC692	PQ3DZ53-X	IC				Q3307	2SD1328/ST/-X	TRANSISTOR		
	IC693	PQ3DZ53-X	IC				Q3308	2SD1328/ST/-X	TRANSISTOR		
	IC695	PQ3DZ53-X	IC				Q3361	2SC2412K/RS/-X	CHIP TRANSISTOR		
	IC696	PQ3DZ53-X	IC				Q3362	2SC2412K/RS/-X	CHIP TRANSISTOR		
	IC998	NJM2903M-XE	IC				Q3363	DTA114YE-X	TRANSISTOR		
	IC999	LM45CIM3-X	IC				Q3403	2SC2412K/RS/-X	CHIP TRANSISTOR		
	J 501	QNN0448-001	PIN JACK				Q3404	2SC2412K/RS/-X	CHIP TRANSISTOR		
	J 502	QNN0448-001	PIN JACK				Q3407	2SD1328/ST/-X	TRANSISTOR		
	J 503	QNN0448-001	PIN JACK				Q3408	2SD1328/ST/-X	TRANSISTOR		
	J3701	QNN0404-001	PIN JACK				Q3461	2SC2412K/RS/-X	CHIP TRANSISTOR		
	K3181	NQR0229-001X	FERRITE BEADS				Q3462	2SC2412K/RS/-X	CHIP TRANSISTOR		
	K3182	NQR0229-001X	FERRITE BEADS				Q3463	DTA114YE-X	TRANSISTOR		
	K3183	NQR0229-001X	FERRITE BEADS				Q3921	DTC114YE-X	TRANSISTOR		
	K3184	NQR0229-001X	FERRITE BEADS				R 501	NRSA63J-750X	MG RESISTOR		
	K3281	NQR0229-001X	FERRITE BEADS				R 502	NRSA63J-750X	MG RESISTOR		
	K3282	NQR0229-001X	FERRITE BEADS				R 503	NRSA63J-750X	MG RESISTOR		
	K3283	NQR0229-001X	FERRITE BEADS				R 504	NRSA63J-750X	MG RESISTOR		
	K3284	NQR0229-001X	FERRITE BEADS				R 505	NRSA63J-750X	MG RESISTOR		
	K3381	NQR0229-001X	FERRITE BEADS				R 506	NRSA63J-750X	MG RESISTOR		
	K3382	NQR0229-001X	FERRITE BEADS				R 521	NRSA63J-472X	MG RESISTOR		
	K3383	NQR0229-001X	FERRITE BEADS				R 522	NRSA63J-472X	MG RESISTOR		
	K3384	NQR0229-001X	FERRITE BEADS				R 523	NRSA63J-102X	MG RESISTOR		
	K3481	NQR0229-001X	FERRITE BEADS				R 524	NRSA63J-112X	MG RESISTOR		
	K3482	NQR0229-001X	FERRITE BEADS				R 525	NRSA63J-473X	MG RESISTOR		
	K3483	NQR0229-001X	FERRITE BEADS				R 526	NRSA63J-750X	MG RESISTOR		
	K3484	NQR0229-001X	FERRITE BEADS				R 527	NRSA63J-472X	MG RESISTOR		
	K3701	NQR0269-004X	FERRITE BEADS				R 528	NRSA63J-472X	MG RESISTOR		
	K3702	NQR0269-004X	FERRITE BEADS				R 529	NRSA63J-102X	MG RESISTOR		
	K3703	QQR0779-001Z	INDUCTOR				R 530	NRSA63J-112X	MG RESISTOR		
	K3704	QQR0779-001Z	INDUCTOR				R 531	NRSA63J-473X	MG RESISTOR		
	LC635	NQR0322-001X	EMI FILTER				R 532	NRSA63J-750X	MG RESISTOR		
	LC640	NQR0322-001X	EMI FILTER				R 533	NRSA63J-472X	MG RESISTOR		
	LC645	NQR0322-001X	EMI FILTER				R 534	NRSA63J-472X	MG RESISTOR		
	LC650	NQR0322-001X	EMI FILTER				R 535	NRSA63J-102X	MG RESISTOR		
	LC661	NQR0322-001X	EMI FILTER				R 536	NRSA63J-112X	MG RESISTOR		

■ Electrical parts list (DSP board)

Block No. 05

△	Item	Parts number	Parts name	Remarks	Area	△	Item	Parts number	Parts name	Remarks	Area
	R 537	NRSA63J-473X	MG RESISTOR				R3118	NRSA63J-183X	MG RESISTOR		
	R 538	NRSA63J-750X	MG RESISTOR				R3121	NRSA63J-561X	MG RESISTOR		
	R 539	NRSA63J-472X	MG RESISTOR				R3122	NRSA63J-561X	MG RESISTOR		
	R 540	NRSA63J-162X	MG RESISTOR				R3123	NRSA63J-561X	MG RESISTOR		
	R1108	NRSA63J-102X	MG RESISTOR				R3124	NRSA63J-561X	MG RESISTOR		
	R1109	NRSA63J-102X	MG RESISTOR				R3125	NRSA63J-561X	MG RESISTOR		
	R1110	NRSA63J-122X	MG RESISTOR				R3126	NRSA63J-561X	MG RESISTOR		
	R1111	NRSA63J-152X	MG RESISTOR				R3127	NRSA63J-105X	MG RESISTOR		
	R1112	NRSA63J-222X	MG RESISTOR				R3128	NRSA63J-105X	MG RESISTOR		
	R1113	NRSA63J-272X	MG RESISTOR				R3129	NRSA63J-473X	MG RESISTOR		
	R1114	NRSA63J-332X	MG RESISTOR				R3130	NRSA63J-473X	MG RESISTOR		
	R1115	NRSA63J-102X	MG RESISTOR				R3131	NRSA63J-222X	MG RESISTOR		
	R1116	NRSA63J-102X	MG RESISTOR				R3132	NRSA63J-222X	MG RESISTOR		
	R1117	NRSA63J-122X	MG RESISTOR				R3133	NRSA63J-222X	MG RESISTOR		
	R1118	NRSA63J-152X	MG RESISTOR				R3134	NRSA63J-222X	MG RESISTOR		
	R1119	NRSA63J-222X	MG RESISTOR				R3135	NRSA63J-183X	MG RESISTOR		
	R1120	NRSA63J-272X	MG RESISTOR				R3136	NRSA63J-183X	MG RESISTOR		
	R1121	NRSA63J-332X	MG RESISTOR				R3137	NRSA63J-104X	MG RESISTOR		
	R3001	NRSA63J-104X	MG RESISTOR				R3138	NRSA63J-104X	MG RESISTOR		
	R3002	NRSA63J-104X	MG RESISTOR				R3139	NRSA63J-561X	MG RESISTOR		
	R3003	NRSA63J-103X	MG RESISTOR				R3140	NRSA63J-561X	MG RESISTOR		
	R3004	NRSA63J-103X	MG RESISTOR				R3141	NRSA63J-101X	MG RESISTOR		
	R3005	NRSA63J-103X	MG RESISTOR				R3142	NRSA63J-101X	MG RESISTOR		
	R3006	NRSA63J-103X	MG RESISTOR				R3143	NRSA63J-104X	MG RESISTOR		
	R3007	NRSA63J-103X	MG RESISTOR				R3144	NRSA63J-104X	MG RESISTOR		
	R3008	NRSA63J-103X	MG RESISTOR				R3145	NRSA63J-333X	MG RESISTOR		
	R3009	NRSA63J-103X	MG RESISTOR				R3146	NRSA63J-333X	MG RESISTOR		
	R3010	NRSA63J-103X	MG RESISTOR				R3147	NRSA63J-333X	MG RESISTOR		
	R3011	NRSA63J-273X	MG RESISTOR				R3148	NRSA63J-333X	MG RESISTOR		
	R3012	NRSA63J-273X	MG RESISTOR				R3149	NRSA63J-333X	MG RESISTOR		
	R3013	NRSA63J-273X	MG RESISTOR				R3150	NRSA63J-333X	MG RESISTOR		
	R3014	NRSA63J-273X	MG RESISTOR				R3151	NRSA63J-472X	MG RESISTOR		
	R3017	NRSA63J-472X	MG RESISTOR				R3152	NRSA63J-472X	MG RESISTOR		
	R3018	NRSA63J-472X	MG RESISTOR				R3155	NRSA63J-474X	MG RESISTOR		
	R3021	NRSA63J-1R0X	MG RESISTOR				R3157	NRSA63J-332X	MG RESISTOR		
	R3022	NRSA63J-1R0X	MG RESISTOR				R3158	NRSA63J-332X	MG RESISTOR		
	R3031	NRSA63J-103X	MG RESISTOR				R3161	NRSA63J-103X	MG RESISTOR		
	R3032	NRSA63J-103X	MG RESISTOR				R3162	NRSA63J-103X	MG RESISTOR		
	R3033	NRSA63J-103X	MG RESISTOR				R3163	NRSA63J-105X	MG RESISTOR		
	R3034	NRSA63J-103X	MG RESISTOR				R3164	NRSA63J-105X	MG RESISTOR		
	R3035	NRSA63J-103X	MG RESISTOR				R3165	NRSA63J-105X	MG RESISTOR		
	R3041	NRSA63J-221X	MG RESISTOR				R3171	NRSA63J-221X	MG RESISTOR		
	R3042	NRSA63J-221X	MG RESISTOR				R3172	NRSA63J-221X	MG RESISTOR		
	R3043	NRSA63J-221X	MG RESISTOR				R3173	NRSA63J-221X	MG RESISTOR		
	R3044	NRSA63J-101X	MG RESISTOR				R3174	NRSA63J-221X	MG RESISTOR		
	R3045	NRSA63J-105X	MG RESISTOR				R3175	NRSA63J-101X	MG RESISTOR		
	R3101	NRSA63J-243X	MG RESISTOR				R3176	NRSA63J-470X	MG RESISTOR		
	R3102	NRSA63J-243X	MG RESISTOR				R3177	NRSA63J-470X	MG RESISTOR		
	R3103	NRSA63J-243X	MG RESISTOR				R3181	NRSA63J-101X	MG RESISTOR		
	R3104	NRSA63J-243X	MG RESISTOR				R3182	NRSA63J-101X	MG RESISTOR		
	R3105	NRSA63F-163X	MG RESISTOR				R3183	NRSA63J-101X	MG RESISTOR		
	R3106	NRSA63F-163X	MG RESISTOR				R3184	NRSA63J-101X	MG RESISTOR		
	R3107	NRSA63F-163X	MG RESISTOR				R3185	NRSA63J-332X	MG RESISTOR		
	R3108	NRSA63F-163X	MG RESISTOR				R3186	NRSA63J-561X	MG RESISTOR		
	R3109	NRSA63J-362X	MG RESISTOR				R3187	NRSA63J-561X	MG RESISTOR		
	R3110	NRSA63J-362X	MG RESISTOR				R3188	NRSA63J-221X	MG RESISTOR		
	R3111	NRSA63J-163X	MG RESISTOR				R3189	NRSA63J-221X	MG RESISTOR		
	R3112	NRSA63J-163X	MG RESISTOR				R3190	NRSA63J-221X	MG RESISTOR		
	R3113	NRSA63J-162X	MG RESISTOR				R3191	QRJ146J-271X	UNF C RESISTOR	270 5% 1/4W	
	R3114	NRSA63J-162X	MG RESISTOR				R3192	QRJ146J-271X	UNF C RESISTOR	270 5% 1/4W	
	R3115	NRSA63J-182X	MG RESISTOR				R3193	NRSA63J-561X	MG RESISTOR		
	R3116	NRSA63J-182X	MG RESISTOR				R3194	NRSA63J-561X	MG RESISTOR		
	R3117	NRSA63J-183X	MG RESISTOR				R3201	NRSA63J-243X	MG RESISTOR		

■ Electrical parts list (DSP board)

Block No. 05

△	Item	Parts number	Parts name	Remarks	Area	△	Item	Parts number	Parts name	Remarks	Area
	R3202	NRSA63J-243X	MG RESISTOR				R3286	NRSA63J-561X	MG RESISTOR		
	R3203	NRSA63J-243X	MG RESISTOR				R3287	NRSA63J-561X	MG RESISTOR		
	R3204	NRSA63J-243X	MG RESISTOR				R3288	NRSA63J-221X	MG RESISTOR		
	R3205	NRSA63F-163X	MG RESISTOR				R3289	NRSA63J-221X	MG RESISTOR		
	R3206	NRSA63F-163X	MG RESISTOR				R3290	NRSA63J-221X	MG RESISTOR		
	R3207	NRSA63F-163X	MG RESISTOR				R3291	NRSA63J-333X	MG RESISTOR		
	R3208	NRSA63F-163X	MG RESISTOR				R3292	NRSA63J-333X	MG RESISTOR		
	R3209	NRSA63J-362X	MG RESISTOR				R3293	NRSA63J-243X	MG RESISTOR		
	R3210	NRSA63J-362X	MG RESISTOR				R3294	NRSA63J-104X	MG RESISTOR		
	R3211	NRSA63J-163X	MG RESISTOR				R3295	NRSA63J-102X	MG RESISTOR		
	R3212	NRSA63J-163X	MG RESISTOR				R3296	NRSA63J-102X	MG RESISTOR		
	R3213	NRSA63J-162X	MG RESISTOR				R3297	NRSA63J-473X	MG RESISTOR		
	R3214	NRSA63J-162X	MG RESISTOR				R3298	NRSA63J-473X	MG RESISTOR		
	R3215	NRSA63J-182X	MG RESISTOR				R3301	NRSA63J-243X	MG RESISTOR		
	R3216	NRSA63J-182X	MG RESISTOR				R3302	NRSA63J-243X	MG RESISTOR		
	R3217	NRSA63J-183X	MG RESISTOR				R3303	NRSA63J-243X	MG RESISTOR		
	R3221	NRSA63J-561X	MG RESISTOR				R3304	NRSA63J-243X	MG RESISTOR		
	R3222	NRSA63J-202X	MG RESISTOR				R3305	NRSA63F-163X	MG RESISTOR		
	R3223	NRSA63J-471X	MG RESISTOR				R3306	NRSA63F-163X	MG RESISTOR		
	R3224	NRSA63J-202X	MG RESISTOR				R3307	NRSA63F-163X	MG RESISTOR		
	R3225	NRSA63J-821X	MG RESISTOR				R3308	NRSA63F-163X	MG RESISTOR		
	R3226	NRSA63J-1R0X	MG RESISTOR				R3309	NRSA63J-362X	MG RESISTOR		
	R3227	NRSA63J-105X	MG RESISTOR				R3310	NRSA63J-362X	MG RESISTOR		
	R3229	NRSA63J-473X	MG RESISTOR				R3311	NRSA63J-163X	MG RESISTOR		
	R3230	NRSA63J-473X	MG RESISTOR				R3312	NRSA63J-163X	MG RESISTOR		
	R3231	NRSA63J-393X	MG RESISTOR				R3313	NRSA63J-162X	MG RESISTOR		
	R3232	NRSA63J-133X	MG RESISTOR				R3314	NRSA63J-162X	MG RESISTOR		
	R3233	NRSA63J-113X	MG RESISTOR				R3315	NRSA63J-182X	MG RESISTOR		
	R3234	NRSA63J-242X	MG RESISTOR				R3316	NRSA63J-182X	MG RESISTOR		
	R3235	NRSA63J-183X	MG RESISTOR				R3317	NRSA63J-183X	MG RESISTOR		
	R3236	NRSA63J-183X	MG RESISTOR				R3318	NRSA63J-183X	MG RESISTOR		
	R3237	NRSA63J-104X	MG RESISTOR				R3321	NRSA63J-561X	MG RESISTOR		
	R3238	NRSA63J-104X	MG RESISTOR				R3322	NRSA63J-561X	MG RESISTOR		
	R3239	NRSA63J-561X	MG RESISTOR				R3323	NRSA63J-471X	MG RESISTOR		
	R3240	NRSA63J-561X	MG RESISTOR				R3324	NRSA63J-471X	MG RESISTOR		
	R3241	NRSA63J-101X	MG RESISTOR				R3325	NRSA63J-821X	MG RESISTOR		
	R3242	NRSA63J-101X	MG RESISTOR				R3326	NRSA63J-821X	MG RESISTOR		
	R3251	NRSA63J-472X	MG RESISTOR				R3327	NRSA63J-105X	MG RESISTOR		
	R3255	NRSA63J-202X	MG RESISTOR				R3328	NRSA63J-105X	MG RESISTOR		
	R3256	NRSA63J-202X	MG RESISTOR				R3329	NRSA63J-473X	MG RESISTOR		
	R3257	NRSA63J-332X	MG RESISTOR				R3330	NRSA63J-473X	MG RESISTOR		
	R3258	NRSA63J-332X	MG RESISTOR				R3331	NRSA63J-243X	MG RESISTOR		
	R3261	NRSA63J-103X	MG RESISTOR				R3332	NRSA63J-243X	MG RESISTOR		
	R3262	NRSA63J-474X	MG RESISTOR				R3333	NRSA63J-113X	MG RESISTOR		
	R3263	NRSA63J-912X	MG RESISTOR				R3334	NRSA63J-113X	MG RESISTOR		
	R3264	NRSA63J-472X	MG RESISTOR				R3335	NRSA63J-183X	MG RESISTOR		
	R3265	NRSA63J-105X	MG RESISTOR				R3336	NRSA63J-183X	MG RESISTOR		
	R3266	NRSA63J-243X	MG RESISTOR				R3337	NRSA63J-104X	MG RESISTOR		
	R3267	NRSA63J-103X	MG RESISTOR				R3338	NRSA63J-104X	MG RESISTOR		
	R3268	NRSA63J-102X	MG RESISTOR				R3339	NRSA63J-561X	MG RESISTOR		
	R3269	NRSA63J-104X	MG RESISTOR				R3340	NRSA63J-561X	MG RESISTOR		
	R3271	NRSA63J-221X	MG RESISTOR				R3341	NRSA63J-101X	MG RESISTOR		
	R3272	NRSA63J-221X	MG RESISTOR				R3342	NRSA63J-101X	MG RESISTOR		
	R3273	NRSA63J-221X	MG RESISTOR				R3351	NRSA63J-472X	MG RESISTOR		
	R3274	NRSA63J-221X	MG RESISTOR				R3352	NRSA63J-472X	MG RESISTOR		
	R3275	NRSA63J-101X	MG RESISTOR				R3353	NRSA63J-474X	MG RESISTOR		
	R3276	NRSA63J-470X	MG RESISTOR				R3357	NRSA63J-332X	MG RESISTOR		
	R3277	NRSA63J-470X	MG RESISTOR				R3358	NRSA63J-332X	MG RESISTOR		
	R3281	NRSA63J-101X	MG RESISTOR				R3361	NRSA63J-103X	MG RESISTOR		
	R3282	NRSA63J-101X	MG RESISTOR				R3362	NRSA63J-103X	MG RESISTOR		
	R3283	NRSA63J-101X	MG RESISTOR				R3363	NRSA63J-752X	MG RESISTOR		
	R3284	NRSA63J-101X	MG RESISTOR				R3364	NRSA63J-752X	MG RESISTOR		
	R3285	NRSA63J-332X	MG RESISTOR				R3365	NRSA63J-105X	MG RESISTOR		

■ Electrical parts list (DSP board)

Block No. 05

△	Item	Parts number	Parts name	Remarks	Area	△	Item	Parts number	Parts name	Remarks	Area
	R3371	NRSA63J-221X	MG RESISTOR				R3463	NRSA63J-752X	MG RESISTOR		
	R3372	NRSA63J-221X	MG RESISTOR				R3464	NRSA63J-752X	MG RESISTOR		
	R3373	NRSA63J-221X	MG RESISTOR				R3465	NRSA63J-105X	MG RESISTOR		
	R3374	NRSA63J-221X	MG RESISTOR				R3471	NRSA63J-221X	MG RESISTOR		
	R3375	NRSA63J-101X	MG RESISTOR				R3472	NRSA63J-221X	MG RESISTOR		
	R3376	NRSA63J-470X	MG RESISTOR				R3473	NRSA63J-221X	MG RESISTOR		
	R3377	NRSA63J-470X	MG RESISTOR				R3474	NRSA63J-221X	MG RESISTOR		
	R3381	NRSA63J-101X	MG RESISTOR				R3475	NRSA63J-101X	MG RESISTOR		
	R3382	NRSA63J-101X	MG RESISTOR				R3476	NRSA63J-470X	MG RESISTOR		
	R3383	NRSA63J-101X	MG RESISTOR				R3477	NRSA63J-470X	MG RESISTOR		
	R3384	NRSA63J-101X	MG RESISTOR				R3481	NRSA63J-101X	MG RESISTOR		
	R3385	NRSA63J-332X	MG RESISTOR				R3482	NRSA63J-101X	MG RESISTOR		
	R3386	NRSA63J-561X	MG RESISTOR				R3483	NRSA63J-101X	MG RESISTOR		
	R3387	NRSA63J-561X	MG RESISTOR				R3484	NRSA63J-101X	MG RESISTOR		
	R3388	NRSA63J-221X	MG RESISTOR				R3485	NRSA63J-332X	MG RESISTOR		
	R3389	NRSA63J-221X	MG RESISTOR				R3486	NRSA63J-561X	MG RESISTOR		
	R3390	NRSA63J-221X	MG RESISTOR				R3487	NRSA63J-561X	MG RESISTOR		
	R3401	NRSA63J-243X	MG RESISTOR				R3488	NRSA63J-221X	MG RESISTOR		
	R3402	NRSA63J-243X	MG RESISTOR				R3489	NRSA63J-221X	MG RESISTOR		
	R3403	NRSA63J-243X	MG RESISTOR				R3490	NRSA63J-221X	MG RESISTOR		
	R3404	NRSA63J-243X	MG RESISTOR				R3501	NRSA63J-473X	MG RESISTOR		
	R3405	NRSA63F-163X	MG RESISTOR				R3502	NRSA63J-470X	MG RESISTOR		
	R3406	NRSA63F-163X	MG RESISTOR				R3503	NRSA63J-470X	MG RESISTOR		
	R3407	NRSA63F-163X	MG RESISTOR				R3504	NRSA63J-470X	MG RESISTOR		
	R3408	NRSA63F-163X	MG RESISTOR				R3505	NRSA63J-470X	MG RESISTOR		
	R3409	NRSA63J-362X	MG RESISTOR				R3506	NRSA63J-473X	MG RESISTOR		
	R3410	NRSA63J-362X	MG RESISTOR				R3507	NRSA63J-473X	MG RESISTOR		
	R3411	NRSA63J-163X	MG RESISTOR				R3508	NRSA63J-473X	MG RESISTOR		
	R3412	NRSA63J-163X	MG RESISTOR				R3509	NRSA63J-473X	MG RESISTOR		
	R3413	NRSA63J-162X	MG RESISTOR				R3510	NRSA63J-473X	MG RESISTOR		
	R3414	NRSA63J-162X	MG RESISTOR				R3511	NRSA63J-473X	MG RESISTOR		
	R3415	NRSA63J-182X	MG RESISTOR				R3512	NRSA63J-473X	MG RESISTOR		
	R3416	NRSA63J-182X	MG RESISTOR				R3513	NRSA63J-473X	MG RESISTOR		
	R3417	NRSA63J-183X	MG RESISTOR				R3514	NRSA63J-473X	MG RESISTOR		
	R3418	NRSA63J-183X	MG RESISTOR				R3515	NRSA63J-473X	MG RESISTOR		
	R3421	NRSA63J-561X	MG RESISTOR				R3516	NRSA63J-473X	MG RESISTOR		
	R3422	NRSA63J-561X	MG RESISTOR				R3517	NRSA63J-473X	MG RESISTOR		
	R3423	NRSA63J-471X	MG RESISTOR				R3518	NRSA63J-473X	MG RESISTOR		
	R3424	NRSA63J-471X	MG RESISTOR				R3519	NRSA63J-473X	MG RESISTOR		
	R3425	NRSA63J-821X	MG RESISTOR				R3520	NRSA63J-101X	MG RESISTOR		
	R3426	NRSA63J-821X	MG RESISTOR				R3521	NRSA63J-103X	MG RESISTOR		
	R3427	NRSA63J-105X	MG RESISTOR				R3522	NRSA63J-103X	MG RESISTOR		
	R3428	NRSA63J-105X	MG RESISTOR				R3523	NRSA63J-103X	MG RESISTOR		
	R3429	NRSA63J-473X	MG RESISTOR				R3524	NRSA63J-103X	MG RESISTOR		
	R3430	NRSA63J-473X	MG RESISTOR				R3525	NRSA63J-103X	MG RESISTOR		
	R3431	NRSA63J-243X	MG RESISTOR				R3526	NRSA63J-470X	MG RESISTOR		
	R3432	NRSA63J-243X	MG RESISTOR				R3527	NRSA63J-470X	MG RESISTOR		
	R3433	NRSA63J-113X	MG RESISTOR				R3601	NRSA63J-473X	MG RESISTOR		
	R3434	NRSA63J-113X	MG RESISTOR				R3602	NRSA63J-470X	MG RESISTOR		
	R3435	NRSA63J-183X	MG RESISTOR				R3603	NRSA63J-470X	MG RESISTOR		
	R3436	NRSA63J-183X	MG RESISTOR				R3604	NRSA63J-470X	MG RESISTOR		
	R3437	NRSA63J-104X	MG RESISTOR				R3605	NRSA63J-470X	MG RESISTOR		
	R3438	NRSA63J-104X	MG RESISTOR				R3606	NRSA63J-473X	MG RESISTOR		
	R3439	NRSA63J-561X	MG RESISTOR				R3607	NRSA63J-473X	MG RESISTOR		
	R3440	NRSA63J-561X	MG RESISTOR				R3608	NRSA63J-473X	MG RESISTOR		
	R3441	NRSA63J-101X	MG RESISTOR				R3609	NRSA63J-473X	MG RESISTOR		
	R3442	NRSA63J-101X	MG RESISTOR				R3610	NRSA63J-473X	MG RESISTOR		
	R3451	NRSA63J-472X	MG RESISTOR				R3611	NRSA63J-473X	MG RESISTOR		
	R3452	NRSA63J-472X	MG RESISTOR				R3612	NRSA63J-473X	MG RESISTOR		
	R3457	NRSA63J-332X	MG RESISTOR				R3613	NRSA63J-473X	MG RESISTOR		
	R3458	NRSA63J-332X	MG RESISTOR				R3614	NRSA63J-473X	MG RESISTOR		
	R3461	NRSA63J-103X	MG RESISTOR				R3615	NRSA63J-473X	MG RESISTOR		
	R3462	NRSA63J-103X	MG RESISTOR				R3616	NRSA63J-473X	MG RESISTOR		

■ Electrical parts list (DSP board)

Block No. 05

△	Item	Parts number	Parts name	Remarks	Area
	R3617	NRSA63J-473X	MG RESISTOR		
	R3618	NRSA63J-473X	MG RESISTOR		
	R3620	NRSA63J-101X	MG RESISTOR		
	R3621	NRSA63J-103X	MG RESISTOR		
	R3622	NRSA63J-103X	MG RESISTOR		
	R3623	NRSA63J-103X	MG RESISTOR		
	R3624	NRSA63J-103X	MG RESISTOR		
	R3626	NRSA63J-470X	MG RESISTOR		
	R3627	NRSA63J-470X	MG RESISTOR		
	R3628	NRSA63J-470X	MG RESISTOR		
	R3629	NRSA63J-470X	MG RESISTOR		
	R3701	NRSA63J-750X	MG RESISTOR		
	R3702	NRSA63J-221X	MG RESISTOR		
	R3703	NRSA63J-112X	MG RESISTOR		
	R3704	NRSA63J-112X	MG RESISTOR		
	R3705	NRSA63J-112X	MG RESISTOR		
	R3706	NRSA63J-112X	MG RESISTOR		
	R3707	NRSA63J-512X	MG RESISTOR		
	R3708	NRSA63J-512X	MG RESISTOR		
	R3709	NRSA63J-512X	MG RESISTOR		
	R3710	NRSA63J-512X	MG RESISTOR		
	R3721	NRSA63F-183X	MG RESISTOR		
	R3722	NRSA63J-100X	MG RESISTOR		
	R3723	NRSA63J-101X	MG RESISTOR		
	R3724	NRSA63J-221X	MG RESISTOR		
	R3725	NRSA63J-221X	MG RESISTOR		
	R3726	NRSA63J-221X	MG RESISTOR		
	R3727	NRSA63J-221X	MG RESISTOR		
	R3735	NRSA63J-221X	MG RESISTOR		
	R3801	NRSA63J-105X	MG RESISTOR		
	R3802	NRSA63J-105X	MG RESISTOR		
	R3803	NRSA63J-470X	MG RESISTOR		
	R3805	NRSA63F-511X	MG RESISTOR		
	R3806	NRSA63F-102X	MG RESISTOR		
	R3807	NRSA63J-103X	MG RESISTOR		
	R3811	NRSA63J-221X	MG RESISTOR		
	R3812	NRSA63J-221X	MG RESISTOR		
	R3813	NRSA63J-221X	MG RESISTOR		
	R3814	NRSA63J-470X	MG RESISTOR		
	R3815	NRSA63J-470X	MG RESISTOR		
	R3816	NRSA63J-470X	MG RESISTOR		
	R3920	NRSA63J-103X	MG RESISTOR		
	R3921	NRSA63J-512X	MG RESISTOR		
	R3922	NRSA63J-512X	MG RESISTOR		
	R3923	NRSA63J-221X	MG RESISTOR		
	R3924	NRSA63J-512X	MG RESISTOR		
	R3925	NRSA63J-512X	MG RESISTOR		
	R3926	NRSA63J-103X	MG RESISTOR		
	R3927	NRSA63J-103X	MG RESISTOR		
	R3928	NRSA63J-103X	MG RESISTOR		
	R3929	NRSA63J-103X	MG RESISTOR		
	R3930	NRSA63J-103X	MG RESISTOR		
	R5001	NRSA63J-223X	MG RESISTOR		
	R5002	NRSA63J-102X	MG RESISTOR		
	R5003	NRSA63J-153X	MG RESISTOR		
	R5004	NRSA63J-112X	MG RESISTOR		
	R5005	NRSA63J-222X	MG RESISTOR		
	R5006	NRSA63J-473X	MG RESISTOR		
	R5007	NRSA63J-105X	MG RESISTOR		
	R5008	NRSA63J-102X	MG RESISTOR		
	R5009	NRSA63J-473X	MG RESISTOR		
	R5010	NRSA63J-105X	MG RESISTOR		
	R5011	NRSA63J-102X	MG RESISTOR		

△	Item	Parts number	Parts name	Remarks	Area
	R5012	NRSA63J-223X	MG RESISTOR		
	S1009	NSW0059-001X	TACT SWITCH		
	S1010	NSW0059-001X	TACT SWITCH		
	S1011	NSW0059-001X	TACT SWITCH		
	S1012	NSW0059-001X	TACT SWITCH		
	S1013	NSW0059-001X	TACT SWITCH		
	S1014	NSW0059-001X	TACT SWITCH		
	S1016	NSW0059-001X	TACT SWITCH		
	S1017	NSW0059-001X	TACT SWITCH		
	S1018	NSW0059-001X	TACT SWITCH		
	S1019	NSW0059-001X	TACT SWITCH		
	S1020	NSW0059-001X	TACT SWITCH		
	S1021	NSW0059-001X	TACT SWITCH		
	TP671	QMV5005-002K	2P PLUG ASSY		
	UN631	GP1FA550RZ	OPT RECEIVER		
	UN632	GP1FA550RZ	OPT RECEIVER		
	UN633	GP1FA550RZ	OPT RECEIVER		
	UN634	GP1FA550RZ	OPT RECEIVER		
	UN635	GP1FA550TZ	OPT TRANSMITTER		
	WR 54	QJK016-035203	SIN CR C-B WIRE		
	WR632	QJK016-153000	SIN CR C-B WIRE		
	X3001	NAX0435-001X	CRYSTAL		
	X3801	NAX0308-001X	RESONATOR		
	X3802	NAX0275-001X	1COSCIALLATOR		

■ Electrical parts list
(Thermal compensation board)

Block No. 06

△	Item	Parts number	Parts name	Remarks	Area
	B7015	QGA2501F1-03	CONNECTOR		C
	CN701	QGA2501F1-03	CONNECTOR		
	CN702	QGA2501F1-03	CONNECTOR		
	CN703	QGA2501F1-03	CONNECTOR		
	CN704	QGA2501F1-03	CONNECTOR		
	CN705	QGA2501F1-03	CONNECTOR		
	CN706	QGA2501F1-03	CONNECTOR		
	CN707	QGA2501F1-03	CONNECTOR		
	C7191	QDVB1EZ-103Y	C CAPACITOR		
	C7192	QDVB1EZ-103Y	C CAPACITOR		
	C7193	QDVB1EZ-103Y	C CAPACITOR		
	C7194	QDVB1EZ-103Y	C CAPACITOR		
	C7195	QDVB1EZ-103Y	C CAPACITOR		J
	C7195	QGA2501F1-03	CONNECTOR		C
	C7196	QDVB1EZ-103Y	C CAPACITOR		
	C7197	QDVB1EZ-103Y	C CAPACITOR		
	Q7091	2SC3422/OY/	TRANSISTOR		
	Q7092	2SC3422/OY/	TRANSISTOR		
	Q7093	2SC3422/OY/	TRANSISTOR		
	Q7094	2SC3422/OY/	TRANSISTOR		
	Q7095	2SC3422/OY/	TRANSISTOR		
	Q7096	2SC3422/OY/	TRANSISTOR		
	Q7097	2SC3422/OY/	TRANSISTOR		

< MEMO >

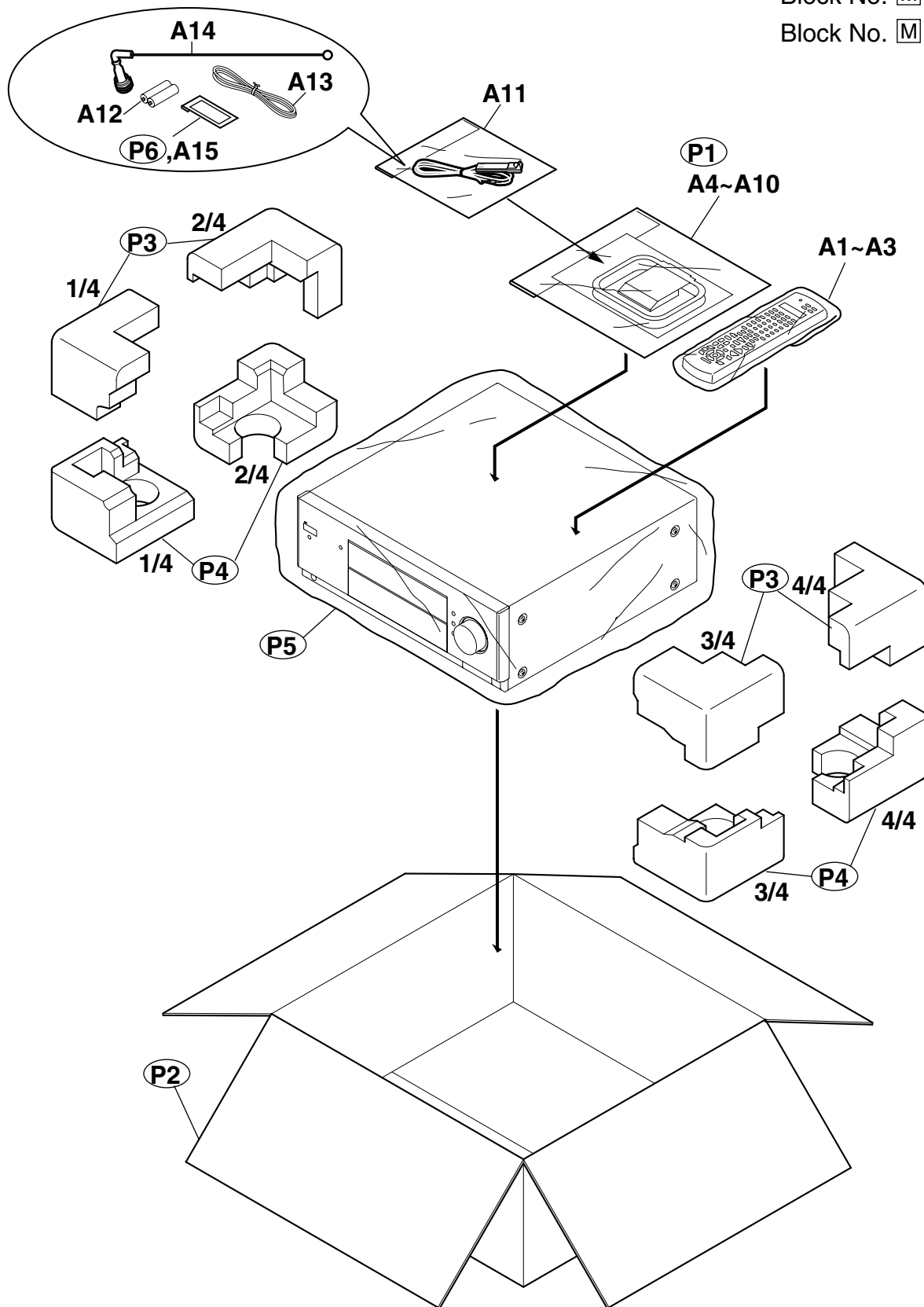
Packing materials and accessories parts list

Block No.

M	3	M	M
---	---	---	---

Block No.

M	5	M	M
---	---	---	---



■ Parts list (Packing)

Block No. M3MM

△	Item	Parts number	Parts name	Q'ty	Description	Area
	P 1	QPA02503505P	POLY BAG	1	INST BOOK	
	P 2	LV21071-009A	CARTON BOX	1		C
		LV21071-013A	CARTON BOX	1		J
	P 3	LV21069-001A	CUSHION	1		
	P 4	LV21070-001A	CUSHION	1		
	P 5	QPC08008015P	POLY BAG	1	SET	
	P 6	QPC00501205	POLY BAG	1	COVER	

■ Parts list (Accessories)

Block No. M5MM

△	Item	Parts number	Parts name	Q'ty	Description	Area
	A 1	RM-SRXDP10J	REMOCON	1		
	A 2	LV42570-001A	SHEET	1		
	A 3	LV30256-007A	SHEET	1		
	A 4	LVT0722-003A	INST BOOK	1	ENG	J
		LVT0722-004A	INST BOOK	1	ENG,FRE	C
	A 5	BT-20071B	JVC CENTER LIST	1		C
	A 6	BT-52004-1	WARRANTY CARD	1		C
	A 7	BT-51028-1	J=REGIST CARD	1		J
	A 8	YU20333	SAFETY INST	1		J
	A 10	QAL0204-001	AM LOOP ANT	1		
	A 11	QAL0219-001	LED CABLE ASSY	1		
	A 12	-----	AL BATTERY	2		
	A 13	EWP503-001C	ANT.WIRE	1		
	A 14	QAL0236-001	ANTENNA	1		
	A 15	LV32823-002A	COVER ASSY	1		J
		LV32823-001A	COVER ASSY	1		C

RX-DP10VBK/RX-DP10VSL

RX-DP10RSL

< M E M O >

PARTS LIST

[RX-DP10RSL]

* All printed circuit boards and its assemblies are not available as service parts.

Area suffix

B ----- U.K.
 E ----- Continental Europe
 EN ----- Northern Europe

- Contents -

Exploded view of general assembly and parts list (Block No.M1)	3-41
Electrical parts list (Block No.01~06)	3-45
Packing materials and accessories parts list (Block No.M3,M5)	3-72

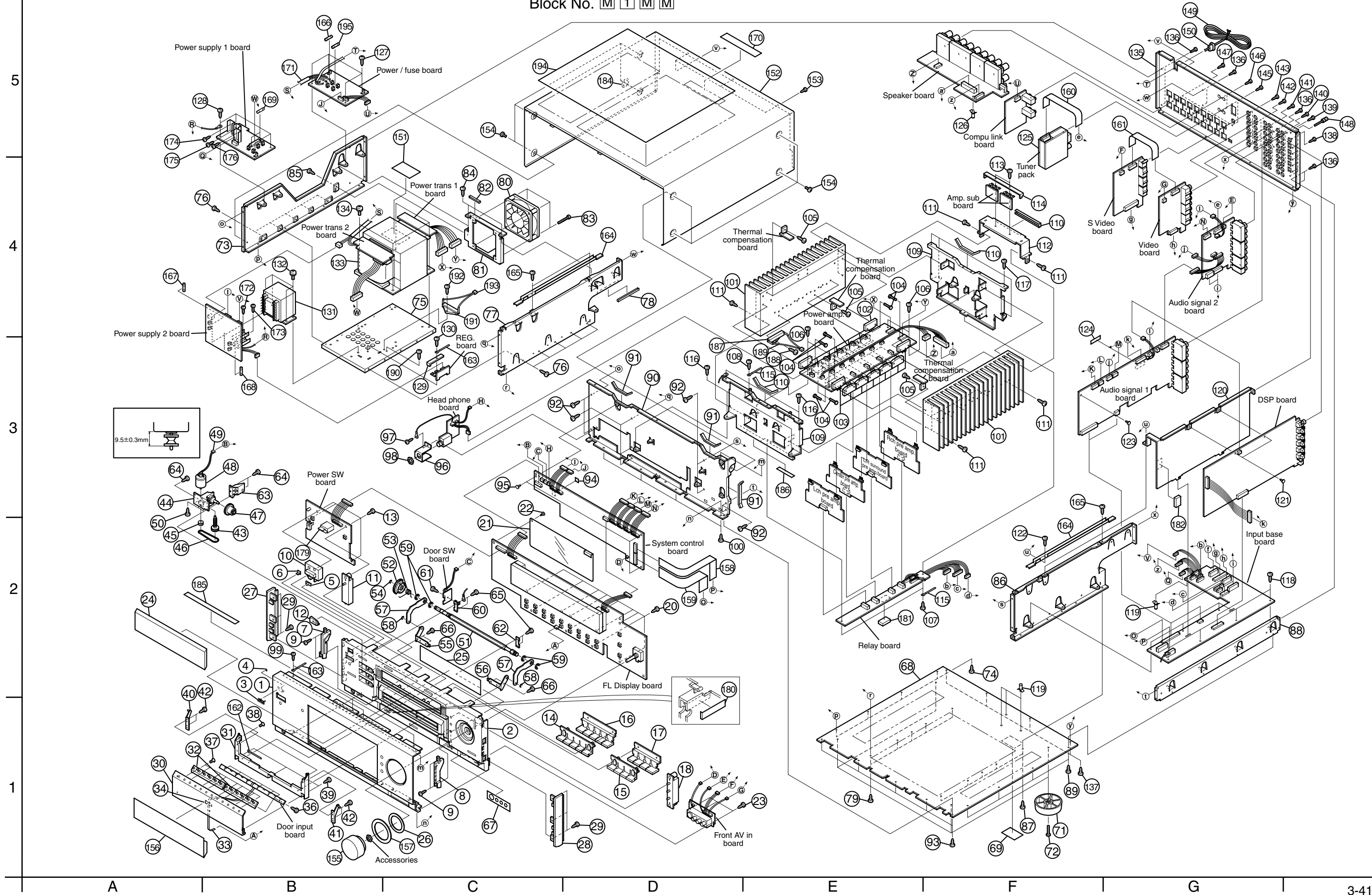
RX-DP10VBK/RX-DP10VSL

RX-DP10RSL

< **MEMO** >

Exploded view of general assembly and parts list

Block No. **M 1 M M**



RX-DP10VBK/RX-DP10VSL
RX-DP10RSL
Block No. M1MM

■ Parts list (General assembly)

△	Item	Parts number	Parts name	Q'ty	Description	Area
	1	LV10535-012A	FRONT PANEL	1		
	2	LV10536-018A	FRONT BASE	1		
	3	VJD5429-002SS	JVC MARK	1		
	4	E60912-003	SPEED NUT	1		
	5	E408131-001	REMOTE LENS	1		
	6	LV42395-001A	INDICATOR	1		
	7	LV32831-002A	GUIDE(L)	1		
	8	LV32832-002A	GUIDE(R)	1		
	9	QYSDSF2608M	TAP SCREW	4	GUIDE	
	10	LV32812-001A	PUSH BUTTON	1		
	11	LV32813-002A	PUSH BUTTON	1		
	12	LV32826-003A	INDICATOR	1		
	13	QYSDSF2608Z	SCREW	4	P.C.B	
	14	LV32815-001A	PUSH BUTTON	1		
	15	LV32816-001A	PUSH BUTTON	1		
	16	LV32817-001A	PUSH BUTTON	1		
	17	LV32818-001A	PUSH BUTTON	1		
	18	LV32814-001A	PUSH BUTTON	1		
	20	QYSDSF2608Z	SCREW	9	P.C.B	
	21	LV42684-001A	BARRIER	1		
	22	E310243-002	PLASTIC RIVET	1		
	23	QYSDSF2608Z	SCREW	3	F.VIDEO P.C.B	
	24	LV32811-003A	LENS	1		
	25	LV42095-003A	FL SCREEN	1		
	26	LV42726-001A	VOL SPACER	1		
	27	LV21063-001A	SIDE FITTING(L)	1		
	28	LV21064-001A	SIDE FITTING(R)	1		
	29	QYSBSF3008Z	SCREW	6	S.FITTING	
	30	LV21061-005A	DOOR	1		
	31	LV21062-003A	DOOR BASE	1		
	32	LV21065-001A	PUSH BUTTON	2		
	33	WJT0073-001A	E-CARD WIRE	1		
	34	LV30225-074A	SPACER	1		
	36	QYSDSF2004Z	SCREW	6	P.C.B	
	37	QYSSSG2004Z	SCREW	8	DOOR-BUTTON	
	38	QYSSSG2004Z	SCREW	2	DOOR UPPER	
	39	QYSDSF2606Z	SCREW	3	DOOR LOWER	
	40	LV32835-002A	G.P.BKT(L)ASSY	1		
	41	LV32836-002A	G.P.BKT(R)ASSY	1		
	42	QYSDSF2606Z	SCREW	4	D.BASE-BKT	
	43	LV42478-001A	WORM GEAR	1		
	44	LV32837-002A	MOTOR BASE	1		
	45	LV41536-201A	PULLEY	1		
	46	LV41598-001A	BELT	1		
	47	LV32838-001A	WORM WHEEL	1		
	48	QAR0100-001	DC MOTOR	1		
	49	WJM0233-001A	E-SI C WIRE C-F	1		
	50	QYSPSP3004Z	SCREW	2	M.BASE-DC MOTOR	

RX-DP10VBK/RX-DP10VSL
RX-DP10RSL

■ Parts list (General assembly)

Block No. M1MM

△	Item	Parts number	Parts name	Q'ty	Description	Area
	51	LV32830-001A	MAIN SHAFT	1		
	52	LV42400-001A	MAIN GEAR	1		
	53	LV42729-001A	SPRING	1		
	54	QYREE3000X	E RING	1		
	55	LV32833-002A	H.BKT(L) ASS'Y	1		
	56	LV32834-002A	H.BKT(R) ASS'Y	1		
	57	LV42396-001A	ARM	2		
	58	QYREE3000X	E RING	2		
	59	QYREE6000X	E RING	4		
	60	LV42397-001A	S.STOPPER(L)	1		
	61	QYSDSG2606Z	SCREW	1	P.C.B	
	62	LV42398-001A	S.STOPPER(R)	1		
	63	LV32839-001A	WHEEL STOPPER	1		
	64	QYSBSF3008Z	SCREW	3	W.STOPPER & M.ASSY	
	65	QYSDSF2608Z	SCREW	4	S.STOPPER	
	66	QYSDSF2606M	SCREW	4	D.BASE-H.BKT	
	67	LV42426-004A	SHEET	1		
	68	LV10537-001A	BOTTOM PLATE	1		
	69	E70115-002	CAUTION LABEL	1		
	71	QZF6018-003	FOOT	4		
	72	QYSBST3010Z	T.SCREW	4	FOOT	
	73	LV10541-002A	SIDE BKT(L)	1		
	74	QYSBSGG3008E	T.SCREW	4		
	75	LV10542-003A	TRANS BASE	1		
	76	QYSDSG3008E	T.SCREW	10	C.BKT & S.BKT	
	77	LV10543-002A	CENTER BKT(L)	1		
	78	LV30225-071A	SPACER	1		
	79	QYSBSGG3008E	T.SCREW	5	BOTTOM	
	80	QAR0198-001	FAN MOTOR	1		
	81	LV33162-001A	FAN BKT	1		
	82	LV30225-074A	SPACER	1		
	83	QYSBSG3030Z	T.SCREW	4		
	84	QYSDSG3008E	T.SCREW	2		
	85	QYSDSG3008E	T.SCREW	1		
	86	LV10544-001A	CENTER BKT(R)	1		
	87	QYSBSGG3008E	T.SCREW	5	BOTTOM	
	88	LV21066-001A	SIDE BKT(R)	1		
	89	QYSBSGG3008E	T.SCREW	4	BOTTOM	
	90	LV10539-001A	FRONT BKT	1		
	91	LV30225-071A	SPACER	3		
	92	QYSBSGG3008E	T.SCREW	9	C.BKT & S.BKT	
	93	QYSBSGG3008E	T.SCREW	5	BOTTOM	
	94	LV30225-0C8A	SPACER	1		
	95	E310243-002	PLASTIC RIVET	3		
	96	LV42094-003A	H.P BKT	1		
	97	QYSBSGG3008E	T.SCREW	1	H.P BKT	
	98	VKZ4150-001	SPECIAL NUT	1		
	99	QYSBSGG3008E	T.SCREW	3	F.PANEL UPPER	

Parts list (General assembly)

Block No. M1MM

△	Item	Parts number	Parts name	Q'ty	Description	Area
	100	QYSBSGG3008E	T.SCREW	4	F.PANEL LOWER	
	101	LV32828-004A	HEAT SINK	2		
△	102	2SA1494/PG/-F1	TRANSISTOR	3	Q715,Q765,Q815	
△		2SA1494/PG/-F1	TRANSISTOR	2	Q1715,Q1765	
△		2SA1494/PG/-F1	TRANSISTOR	2	Q1615,Q1665	
△	103	2SC3858/PG/-F1	TRANSISTOR	2	Q1614,Q1664	
△		2SC3858/PG/-F1	TRANSISTOR	2	Q1714,Q1764	
△		2SC3858/PG/-F1	TRANSISTOR	3	Q714,Q764,Q814	
	104	E73525-003SS	SCREW	28	TRANSISTOR	
	105	QYSBSGG3010E	T.SCREW	7		
	106	QYSBSGG3010E	T.SCREW	4	P.C.B	
	107	QYSBSGG3010E	T.SCREW	2	P.C.B	
	108	QYSBSGG3010E	T.SCREW	1		
	109	LV21067-001A	H.SINK BKT	2		
	110	LV30225-071A	SPACER	3		
	111	QYSBSGG3010E	T.SCREW	8	H.SINK	
	112	LV32829-002A	H.SINK HOLDER	1		
	113	QYSDSG3008E	T.SCREW	2	H.SINK	
	114	LV42704-001A	HOLDER	1		
	115	VKZ4001-111	WIRE HOLDER	2		
	116	QYSBSGG3008E	T.SCREW	4	H.S ASSY FRONT	
	117	QYSBSGG3008E	T.SCREW	4	H.S ASSY REAR	
	118	QYSBSGG3008E	T.SCREW	7	P.C.B	
	119	E310244-003	FASTNER	4		
	120	LV21068-001A	SHIELD COVER	1		
	121	E310243-002	PLASTIC RIVET	2		
	122	QYSBSGG3008E	T.SCREW	1	C.BKT	
	123	E310243-002	PLASTIC RIVET	1		
	124	LV30225-0C7A	SPACER	1		
	125	QAU0241-001	TUNER	1		
	126	E310244-003	FASTNER	1		
	127	QYSBSGG3008E	T.SCREW	4	PRIMARY	
	128	QYSBSGG3008E	T.SCREW	4	ANALOG P.SUPPLY	
	129	LV41603-001A	LEAF SPRING	1		
	130	QYSDSG3008E	T.SCREW	1	LEAF SPRING	
△	131	QQT0337-001	POWER TRANSF	1	T41	
	132	QYSDSTL4008E	SPECIAL SCREW	4	TRANS.	
△	133	QQT0343-002	POWER TRANSF	1	T1	
	134	QYSDSTL4008E	SPECIAL SCREW	4	TRANS.	
	135	LV10540-009A	REAR PANEL	1		
	136	QYSBSGY3008E	SPECIAL SCREW	8	S.BKT/C.BKT	
	137	QYSBSGY3008E	SPECIAL SCREW	4	BOTTOM	
	138	QYSBSGY3008E	SPECIAL SCREW	7	DSP	
	139	QYSBSGY3008E	SPECIAL SCREW	1	SHIELD	
	140	QYSBSGY3008E	SPECIAL SCREW	3	AUDIO	
	141	QYSBSGY3008E	SPECIAL SCREW	4	V-AUDIO	
	142	QYSBSGY3008E	SPECIAL SCREW	3	C-V EXCEPT	
	143	QYSBSGY3008E	SPECIAL SCREW	4	S-V EXCEPT	

■ Parts list (General assembly)

Block No. M1MM

△	Item	Parts number	Parts name	Q'ty	Description	Area
	145	QYSBSGY3008E	SPECIAL SCREW	2	TUNER	
	146	QYSBSGY3008E	SPECIAL SCREW	2	DCS	
	147	QYSBSGY3008E	SPECIAL SCREW	5	SPK	
	148	E409257-001	GND TERMINAL	1		
△	149	QMPK230-205-JC	POWER CORD	1		E,EN
△		QMPN100-200-JD	POWER CORD	1		B
△	150	QZW0033-001	STRAIN RELIEF	1		
	151	LV40911-001A	LABEL	1		
	152	LV10538-005A/S/	TOP COVER	1		
	153	QYSBSGY3008E	SPECIAL SCREW	3	TOP COVER	
	154	E406308-004	SPECIAL SCREW	8	TOP SL-MODEL	
	155	LV32819-001A	VOL KNOB	1		
	156	LV33243-001A	PROTECT SHEET	1		
	157	LV42405-001A	VOL RING	1		
	158	QUQ412-1619DJ	FFC WIRE	1	FRONT1-MOTHER	
	159	QUQ412-2019DJ	FFC WIRE	1	FRONT1-MOTHER	
	160	QUQ412-1513DJ	FFC WIRE	1	TUNER-AUDIO2	
	161	QUQ412-1605DJ	FFC WIRE	1	VIDEO1-VIDEO2	
	162	VKZ4001-018	WIRE HOLDER	1		
	163	VKZ4001-111S	WIRE CLAMP	2		
	164	LV33163-001A	BARRIER	2		
	165	QYSBSGG3008E	T.SCREW	3		
△	166	QMF51E2-4R0-J1	FUSE	1	F21	
△	167	QMF51E2-R50-J1	FUSE	1	F41	
△	168	QMF51E2-2R0-J1	FUSE	1	F42	
△	169	QMF51E2-2R0-J1	FUSE	2	F61,F62	
	170	E409396-002	CAUTION LABEL	1		
	171	QWTJ809-240	GLASS TUBE	1		
	172	QYSBSG3008E	T.SCREW	1	HS41	
	173	QYSBSG3008E	T.SCREW	1	HS42	
	174	QYSBSG3008E	T.SCREW	1	HS61	
	175	QYSBSG3008E	T.SCREW	1	HS62	
	176	QYSBSG3008E	T.SCREW	1	HS63	
	179	LV32827-002A	LED HOLDER	1	D1034	
	180	LV42783-001A	EARTH PLATE	1		
	181	LV30225-0D3A	SPACERW	1		
	182	LV30225-0D4A	SPACER	1		
	184	LV30226-029A	SPACER	1		
	185	EXO150010H09S11	FELT SPACER	1		
	186	LV30225-074A	SPACER	1		
	187	QMR0008-001	TH PROTECTOR	1	TF2	
	188	QYSBSG3008E	T.SCREW	1		
	189	WJM0260-001A	E-SI C WIRE C-F	1		
	190	QYSDSG3008E	T.SCREW	1		
	191	QMR0007-001	TH PROTECTOR	1	TF1	
	192	QYSBSG3008E	T.SCREW	1		
	193	WJM0261-001A	E-SI C WIRE C-F	1		
	194	LV32842-001A	PROTECT SHEET	1		
△	195	QMF51E2-R10-J1	FUSE	1	F23	

■ Electrical parts list (Amp. board)

Block No. 01

△	Item	Parts number	Parts name	Remarks	Area	△	Item	Parts number	Parts name	Remarks	Area
	C 701	QEZ0538-106Z	E CAPACITOR	10MF			C 815	QCS32HJ-330Z	C CAPACITOR	33PF 5% 500V	
	C 702	QCS32HJ-101Z	C CAPACITOR	100PF 5% 500V			C 821	NCF21EZ-224X	E CAPACITOR		
	C 703	QCS32HJ-101Z	C CAPACITOR	100PF 5% 500V			C 831	QEZ0539-476Z	E CAPACITOR	47MF	
	C 704	QFN31HJ-152Z	M CAPACITOR	1500PF 5% 50V			C 835	QFLC1HJ-473Z	M CAPACITOR	0.047MF 5% 50V	
	C 705	QCS32HJ-220Z	C CAPACITOR	22PF 5% 500V			C 836	QFLC1HJ-473Z	M CAPACITOR	0.047MF 5% 50V	
	C 707	QCS32HJ-221Z	C CAPACITOR	220PF 5% 500V			C 837	NFV41HJ-332X	M CAPACITOR		
	C 708	QFN31HJ-472Z	M CAPACITOR	4700PF 5% 50V			C 838	NFV41HJ-103X	M CAPACITOR		
	C 709	QCS32HJ-470Z	C CAPACITOR	47PF 5% 500V			C 841	QCS32HJ-100Z	C CAPACITOR	10PF 5% 500V	
	C 710	QCS32HJ-470Z	C CAPACITOR	47PF 5% 500V			C 842	QEZ0538-226Z	E CAPACITOR	22MF	
	C 711	QEZ0539-476Z	E CAPACITOR	47MF			C 895	QEZ0544-338	E CAPACITOR	3300MF	
	C 712	QEZ0539-476Z	E CAPACITOR	47MF			C 896	QEZ0544-338	E CAPACITOR	3300MF	
	C 715	QCS32HJ-330Z	C CAPACITOR	33PF 5% 500V			CN711	QGB2510K2-07	CONNECTOR		
	C 721	NCF21EZ-224X	E CAPACITOR				CN712	QGB2012K1-06	CONNECTOR		
	C 731	QEZ0539-476Z	E CAPACITOR	47MF			CN713	QGB2012K1-06	CONNECTOR		
	C 735	QFLC1HJ-473Z	M CAPACITOR	0.047MF 5% 50V			CN721	QGB2510J1-07	CONNECTOR		
	C 736	QFLC1HJ-473Z	M CAPACITOR	0.047MF 5% 50V			CN722	QGB2012J1-06	CONNECTOR		
	C 737	NFV41HJ-332X	M CAPACITOR				CN723	QGB2012J1-06	CONNECTOR		
	C 738	NFV41HJ-103X	M CAPACITOR				CN738	QGA2501C1-03	3P CONNECTOR		
	C 739	NFV41HJ-332X	M CAPACITOR				CN741	QGA3901C1-10	10P CONNECTOR		
	C 740	NFV41HJ-103X	M CAPACITOR				CN742	QGA3901C1-04	4P CONNECTOR		
	C 741	QCS32HJ-100Z	C CAPACITOR	10PF 5% 500V			CN743	QGA2001C1-10	10P PLUG ASSY		
	C 742	QEZ0538-226Z	E CAPACITOR	22MF			CN751	QGB2510K2-06	CONNECTOR		
	C 745	QEZ0544-338	E CAPACITOR	3300MF			CN752	QGB2012K1-06	CONNECTOR		
	C 746	QEZ0544-338	E CAPACITOR	3300MF			CN753	QGB2012K1-06	CONNECTOR		
	C 751	QEZ0538-106Z	E CAPACITOR	10MF			CN761	QGB2510J1-06	CONNECTOR		
	C 752	QCS32HJ-101Z	C CAPACITOR	100PF 5% 500V			CN762	QGB2012J1-06	CONNECTOR		
	C 753	QCS32HJ-101Z	C CAPACITOR	100PF 5% 500V			CN763	QGB2012J1-06	CONNECTOR		
	C 754	QFN31HJ-152Z	M CAPACITOR	1500PF 5% 50V			CN771	QGB2510K2-05	CONNECTOR		
	C 755	QCS32HJ-220Z	C CAPACITOR	22PF 5% 500V			CN772	QGB2012K1-06	CONNECTOR		
	C 757	QCS32HJ-221Z	C CAPACITOR	220PF 5% 500V			CN773	QGB2012K1-06	CONNECTOR		
	C 758	QFN31HJ-472Z	M CAPACITOR	4700PF 5% 50V			CN781	QGB2510J1-05	CONNECTOR		
	C 759	QCS32HJ-470Z	C CAPACITOR	47PF 5% 500V			CN782	QGB2012J1-06	CONNECTOR		
	C 760	QCS32HJ-470Z	C CAPACITOR	47PF 5% 500V			CN783	QGB2012J1-06	CONNECTOR		
	C 761	QEZ0539-476Z	E CAPACITOR	47MF			CN811	QGB2510K2-06	CONNECTOR		
	C 762	QEZ0539-476Z	E CAPACITOR	47MF			CN812	QGB2012K1-06	CONNECTOR		
	C 765	QCS32HJ-330Z	C CAPACITOR	33PF 5% 500V			CN813	QGB2012K1-06	CONNECTOR		
	C 771	NCF21EZ-224X	E CAPACITOR				CN821	QGB2510J1-06	CONNECTOR		
	C 773	QFV72AJ-104Z	MF CAPACITOR	0.1MF 5% 100V			CN822	QGB2012J1-06	CONNECTOR		
	C 774	QFV72AJ-104Z	MF CAPACITOR	0.1MF 5% 100V			CN823	QGB2012J1-06	CONNECTOR		
	C 775	QFV72AJ-104Z	MF CAPACITOR	0.1MF 5% 100V			C1601	QEZ0538-106Z	E CAPACITOR	10MF	
	C 776	QFV72AJ-104Z	MF CAPACITOR	0.1MF 5% 100V			C1602	QCS32HJ-101Z	C CAPACITOR	100PF 5% 500V	
	C 781	QEZ0539-476Z	E CAPACITOR	47MF			C1603	QCS32HJ-101Z	C CAPACITOR	100PF 5% 500V	
	C 785	QFLC1HJ-473Z	M CAPACITOR	0.047MF 5% 50V			C1604	QFN31HJ-152Z	M CAPACITOR	1500PF 5% 50V	
	C 786	QFLC1HJ-473Z	M CAPACITOR	0.047MF 5% 50V			C1605	QCS32HJ-220Z	C CAPACITOR	22PF 5% 500V	
	C 787	NFV41HJ-332X	M CAPACITOR				C1607	QCS32HJ-221Z	C CAPACITOR	220PF 5% 500V	
	C 788	NFV41HJ-103X	M CAPACITOR				C1608	QFN31HJ-472Z	M CAPACITOR	4700PF 5% 50V	
	C 789	NFV41HJ-332X	M CAPACITOR				C1609	QCS32HJ-470Z	C CAPACITOR	47PF 5% 500V	
	C 790	NFV41HJ-103X	M CAPACITOR				C1610	QCS32HJ-470Z	C CAPACITOR	47PF 5% 500V	
	C 791	QCS32HJ-100Z	C CAPACITOR	10PF 5% 500V			C1611	QEZ0539-476Z	E CAPACITOR	47MF	
	C 792	QEZ0538-226Z	E CAPACITOR	22MF			C1612	QEZ0539-476Z	E CAPACITOR	47MF	
	C 795	QEZ0544-338	E CAPACITOR	3300MF			C1615	QCS32HJ-330Z	C CAPACITOR	33PF 5% 500V	
	C 796	QEZ0544-338	E CAPACITOR	3300MF			C1621	NCF21EZ-224X	E CAPACITOR		
	C 801	QEZ0538-106Z	E CAPACITOR	10MF			C1631	QEZ0539-476Z	E CAPACITOR	47MF	
	C 802	QCS32HJ-101Z	C CAPACITOR	100PF 5% 500V			C1635	QFLC1HJ-473Z	M CAPACITOR	0.047MF 5% 50V	
	C 803	QCS32HJ-101Z	C CAPACITOR	100PF 5% 500V			C1636	QFLC1HJ-473Z	M CAPACITOR	0.047MF 5% 50V	
	C 804	QFN31HJ-152Z	M CAPACITOR	1500PF 5% 50V			C1637	NFV41HJ-332X	M CAPACITOR		
	C 805	QCS32HJ-220Z	C CAPACITOR	22PF 5% 500V			C1638	NFV41HJ-103X	M CAPACITOR		
	C 807	QCS32HJ-221Z	C CAPACITOR	220PF 5% 500V			C1641	QCS32HJ-100Z	C CAPACITOR	10PF 5% 500V	
	C 808	QFN31HJ-472Z	M CAPACITOR	4700PF 5% 50V			C1642	QEZ0538-226Z	E CAPACITOR	22MF	
	C 809	QCS32HJ-470Z	C CAPACITOR	47PF 5% 500V			C1645	QEZ0544-338	E CAPACITOR	3300MF	
	C 810	QCS32HJ-470Z	C CAPACITOR	47PF 5% 500V			C1646	QEZ0544-338	E CAPACITOR	3300MF	
	C 811	QEZ0539-476Z	E CAPACITOR	47MF			C1651	QEZ0538-106Z	E CAPACITOR	10MF	
	C 812	QEZ0539-476Z	E CAPACITOR	47MF			C1652	QCS32HJ-101Z	C CAPACITOR	100PF 5% 500V	

■ Electrical parts list (Amp. board)

Block No. 01

△	Item	Parts number	Parts name	Remarks	Area	△	Item	Parts number	Parts name	Remarks	Area
	C1653	QCS32HJ-101Z	C CAPACITOR	100PF 5% 500V			C1973	NCS21HJ-102X	C CAPACITOR		
	C1654	QFN31HJ-152Z	M CAPACITOR	1500PF 5% 50V			C1974	NCF21HZ-103X	C CAPACITOR		
	C1655	QCS32HJ-220Z	C CAPACITOR	22PF 5% 500V			C1975	QETN1HM-226Z	E CAPACITOR	22MF 20% 50V	
	C1657	QCS32HJ-221Z	C CAPACITOR	220PF 5% 500V			D 702	1SS133-T2	SI DIODE		
	C1658	QFN31HJ-472Z	M CAPACITOR	4700PF 5% 50V			D 703	1SS133-T2	SI DIODE		
	C1659	QCS32HJ-470Z	C CAPACITOR	47PF 5% 500V			D 704	1SS133-T2	SI DIODE		
	C1660	QCS32HJ-470Z	C CAPACITOR	47PF 5% 500V			D 705	MTZJ3.9B-T2	ZENER DIODE		
	C1661	QEZ0539-476Z	E CAPACITOR	47MF			D 706	MTZJ3.9B-T2	ZENER DIODE		
	C1662	QEZ0539-476Z	E CAPACITOR	47MF			D 707	1SS133-T2	SI DIODE		
	C1665	QCS32HJ-330Z	C CAPACITOR	33PF 5% 500V			D 708	UDZS24B-X	ZENER DIODE		
	C1671	NCF21EZ-224X	E CAPACITOR				D 709	UDZS24B-X	ZENER DIODE		
	C1685	QFLC1HJ-473Z	M CAPACITOR	0.047MF 5% 50V			D 710	1SS355-X	DIODE		
	C1686	QFLC1HJ-473Z	M CAPACITOR	0.047MF 5% 50V			D 711	1SS355-X	DIODE		
	C1687	NFV41HJ-332X	M CAPACITOR				D 712	1SS355-X	DIODE		
	C1688	NFV41HJ-103X	M CAPACITOR				D 713	1SS355-X	DIODE		
	C1691	QCS32HJ-100Z	C CAPACITOR	10PF 5% 500V			D 715	HZ3.0BP	ZENER DIODE		
	C1692	QEZ0538-226Z	E CAPACITOR	22MF			D 752	1SS133-T2	SI DIODE		
	C1695	QEZ0544-338	E CAPACITOR	3300MF			D 753	1SS133-T2	SI DIODE		
	C1696	QEZ0544-338	E CAPACITOR	3300MF			D 754	1SS133-T2	SI DIODE		
	C1701	QEZ0538-106Z	E CAPACITOR	10MF			D 755	MTZJ3.9B-T2	ZENER DIODE		
	C1702	QCS32HJ-101Z	C CAPACITOR	100PF 5% 500V			D 756	MTZJ3.9B-T2	ZENER DIODE		
	C1703	QCS32HJ-101Z	C CAPACITOR	100PF 5% 500V			D 757	1SS133-T2	SI DIODE		
	C1704	QFN31HJ-152Z	M CAPACITOR	1500PF 5% 50V			D 758	UDZS24B-X	ZENER DIODE		
	C1705	QCS32HJ-220Z	C CAPACITOR	22PF 5% 500V			D 759	UDZS24B-X	ZENER DIODE		
	C1707	QCS32HJ-221Z	C CAPACITOR	220PF 5% 500V			D 760	1SS355-X	DIODE		
	C1708	QFN31HJ-472Z	M CAPACITOR	4700PF 5% 50V			D 761	1SS355-X	DIODE		
	C1709	QCS32HJ-470Z	C CAPACITOR	47PF 5% 500V			D 762	1SS355-X	DIODE		
	C1710	QCS32HJ-470Z	C CAPACITOR	47PF 5% 500V			D 763	1SS355-X	DIODE		
	C1711	QEZ0539-476Z	E CAPACITOR	47MF			D 765	HZ3.0BP	ZENER DIODE		
	C1712	QEZ0539-476Z	E CAPACITOR	47MF			D 771	1SS133-T2	SI DIODE		
	C1715	QCS32HJ-330Z	C CAPACITOR	33PF 5% 500V			D 772	1SS133-T2	SI DIODE		
	C1721	NCF21EZ-224X	E CAPACITOR				D 773	1SS133-T2	SI DIODE		
	C1735	QFLC1HJ-473Z	M CAPACITOR	0.047MF 5% 50V			D 774	1SS133-T2	SI DIODE		
	C1736	QFLC1HJ-473Z	M CAPACITOR	0.047MF 5% 50V			D 802	1SS133-T2	SI DIODE		
	C1737	NFV41HJ-332X	M CAPACITOR				D 803	1SS133-T2	SI DIODE		
	C1738	NFV41HJ-103X	M CAPACITOR				D 804	1SS133-T2	SI DIODE		
	C1741	QCS32HJ-100Z	C CAPACITOR	10PF 5% 500V			D 805	MTZJ3.9B-T2	ZENER DIODE		
	C1742	QEZ0538-226Z	E CAPACITOR	22MF			D 806	MTZJ3.9B-T2	ZENER DIODE		
	C1745	QEZ0544-338	E CAPACITOR	3300MF			D 807	1SS133-T2	SI DIODE		
	C1746	QEZ0544-338	E CAPACITOR	3300MF			D 808	UDZS24B-X	ZENER DIODE		
	C1751	QEZ0538-106Z	E CAPACITOR	10MF			D 809	UDZS24B-X	ZENER DIODE		
	C1752	QCS32HJ-101Z	C CAPACITOR	100PF 5% 500V			D 810	1SS355-X	DIODE		
	C1753	QCS32HJ-101Z	C CAPACITOR	100PF 5% 500V			D 811	1SS355-X	DIODE		
	C1754	QFN31HJ-152Z	M CAPACITOR	1500PF 5% 50V			D 812	1SS355-X	DIODE		
	C1755	QCS32HJ-220Z	C CAPACITOR	22PF 5% 500V			D 813	1SS355-X	DIODE		
	C1757	QCS32HJ-221Z	C CAPACITOR	220PF 5% 500V			D 815	HZ3.0BP	ZENER DIODE		
	C1758	QFN31HJ-472Z	M CAPACITOR	4700PF 5% 50V			D1602	1SS133-T2	SI DIODE		
	C1759	QCS32HJ-470Z	C CAPACITOR	47PF 5% 500V			D1603	1SS133-T2	SI DIODE		
	C1760	QCS32HJ-470Z	C CAPACITOR	47PF 5% 500V			D1604	1SS133-T2	SI DIODE		
	C1761	QEZ0539-476Z	E CAPACITOR	47MF			D1605	MTZJ3.9B-T2	ZENER DIODE		
	C1762	QEZ0539-476Z	E CAPACITOR	47MF			D1606	MTZJ3.9B-T2	ZENER DIODE		
	C1765	QCS32HJ-330Z	C CAPACITOR	33PF 5% 500V			D1607	1SS133-T2	SI DIODE		
	C1771	NCF21EZ-224X	E CAPACITOR				D1608	UDZS24B-X	ZENER DIODE		
	C1785	QFLC1HJ-473Z	M CAPACITOR	0.047MF 5% 50V			D1609	UDZS24B-X	ZENER DIODE		
	C1786	QFLC1HJ-473Z	M CAPACITOR	0.047MF 5% 50V			D1610	1SS355-X	DIODE		
	C1787	NFV41HJ-332X	M CAPACITOR				D1611	1SS355-X	DIODE		
	C1788	NFV41HJ-103X	M CAPACITOR				D1612	1SS355-X	DIODE		
	C1791	QCS32HJ-100Z	C CAPACITOR	10PF 5% 500V			D1613	1SS355-X	DIODE		
	C1792	QEZ0538-226Z	E CAPACITOR	22MF			D1615	HZ3.0BP	ZENER DIODE		
	C1795	QEZ0544-338	E CAPACITOR	3300MF			D1652	1SS133-T2	SI DIODE		
	C1796	QEZ0544-338	E CAPACITOR	3300MF			D1653	1SS133-T2	SI DIODE		
	C1971	QETN1HM-226Z	E CAPACITOR	22MF 20% 50V			D1654	1SS133-T2	SI DIODE		
	C1972	QETN1EM-476Z	E CAPACITOR	47MF 20% 25V			D1655	MTZJ3.9B-T2	ZENER DIODE		

■ Electrical parts list (Amp. board)

Block No. 01

△	Item	Parts number	Parts name	Remarks	Area	△	Item	Parts number	Parts name	Remarks	Area
	D1656	MTZJ3.9B-T2	ZENER DIODE				L 801	QQLZ003-1R0	INDUCTOR		
	D1657	1SS133-T2	SI DIODE				L1601	QQLZ003-1R0	INDUCTOR		
	D1658	UDZS24B-X	ZENER DIODE				L1651	QQLZ003-1R0	INDUCTOR		
	D1659	UDZS24B-X	ZENER DIODE				L1701	QQLZ003-1R0	INDUCTOR		
	D1660	1SS355-X	DIODE				L1751	QQLZ003-1R0	INDUCTOR		
	D1661	1SS355-X	DIODE				Q 701	2SC1775A/E/-T	TRANSISTOR		
	D1662	1SS355-X	DIODE				Q 702	2SC1775A/E/-T	TRANSISTOR		
	D1663	1SS355-X	DIODE				Q 703	KTC3200/GL/-T	TRANSISTOR		
	D1665	HZ3.0BP	ZENER DIODE				Q 704	KTC3199/GL/-T	TRANSISTOR		
	D1702	1SS133-T2	SI DIODE				Q 705	KTA1268/GL/-T	TRANSISTOR		
	D1703	1SS133-T2	SI DIODE				Q 706	KTA1267/YG/-T	TRANSISTOR		
	D1704	1SS133-T2	SI DIODE				Q 707	KTA1268/GL/-T	TRANSISTOR		
	D1705	MTZJ3.9B-T2	ZENER DIODE				Q 708	KTC3200/GL/-T	TRANSISTOR		
	D1706	MTZJ3.9B-T2	ZENER DIODE				Q 710	KTC3200/GL/-T	TRANSISTOR		
	D1707	1SS133-T2	SI DIODE				Q 711	KTA1268/GL/-T	TRANSISTOR		
	D1708	UDZS24B-X	ZENER DIODE				Q 712	2SD669A/BC/	TRANSISTOR		
	D1709	UDZS24B-X	ZENER DIODE				Q 713	2SB649A/BC/	TRANSISTOR		
	D1710	1SS355-X	DIODE				Q 731	2SC2412K/RS/-X	CHIP TRANSISTOR		
	D1711	1SS355-X	DIODE				Q 732	DTA124EKA-X	DIGI TRANSISTOR		
	D1712	1SS355-X	DIODE				Q 751	2SC1775A/E/-T	TRANSISTOR		
	D1713	1SS355-X	DIODE				Q 752	2SC1775A/E/-T	TRANSISTOR		
	D1715	HZ3.0BP	ZENER DIODE				Q 753	KTC3200/GL/-T	TRANSISTOR		
	D1752	1SS133-T2	SI DIODE				Q 754	KTC3199/GL/-T	TRANSISTOR		
	D1753	1SS133-T2	SI DIODE				Q 755	KTA1268/GL/-T	TRANSISTOR		
	D1754	1SS133-T2	SI DIODE				Q 756	KTA1267/YG/-T	TRANSISTOR		
	D1755	MTZJ3.9B-T2	ZENER DIODE				Q 757	KTA1268/GL/-T	TRANSISTOR		
	D1756	MTZJ3.9B-T2	ZENER DIODE				Q 758	KTC3200/GL/-T	TRANSISTOR		
	D1757	1SS133-T2	SI DIODE				Q 760	KTC3200/GL/-T	TRANSISTOR		
	D1758	UDZS24B-X	ZENER DIODE				Q 761	KTA1268/GL/-T	TRANSISTOR		
	D1759	UDZS24B-X	ZENER DIODE				Q 762	2SD669A/BC/	TRANSISTOR		
	D1760	1SS355-X	DIODE				Q 763	2SB649A/BC/	TRANSISTOR		
	D1761	1SS355-X	DIODE				Q 771	DTD123TK-X	CHIP D TRANSISTOR		
	D1762	1SS355-X	DIODE				Q 772	DTD123TK-X	CHIP D TRANSISTOR		
	D1763	1SS355-X	DIODE				Q 773	DTD123TK-X	CHIP D TRANSISTOR		
	D1765	HZ3.0BP	ZENER DIODE				Q 781	2SC2412K/RS/-X	CHIP TRANSISTOR		
	D1901	1SS133-T2	SI DIODE				Q 782	DTA124EKA-X	DIGI TRANSISTOR		
	D1911	1SS133-T2	SI DIODE				Q 801	2SC1775A/E/-T	TRANSISTOR		
	D1921	1SS133-T2	SI DIODE				Q 802	2SC1775A/E/-T	TRANSISTOR		
	D1931	1SS133-T2	SI DIODE				Q 803	KTC3200/GL/-T	TRANSISTOR		
	D1941	1SS133-T2	SI DIODE				Q 804	KTC3199/GL/-T	TRANSISTOR		
	D1951	1SS133-T2	SI DIODE				Q 805	KTA1268/GL/-T	TRANSISTOR		
	D1961	1SS133-T2	SI DIODE				Q 806	KTA1267/YG/-T	TRANSISTOR		
	D1981	1SS133-T2	SI DIODE				Q 807	KTA1268/GL/-T	TRANSISTOR		
	D1982	1SS133-T2	SI DIODE				Q 808	KTC3200/GL/-T	TRANSISTOR		
	D1984	1SS133-T2	SI DIODE				Q 810	KTC3200/GL/-T	TRANSISTOR		
	D1985	1SS133-T2	SI DIODE				Q 811	KTA1268/GL/-T	TRANSISTOR		
	D1986	1SS133-T2	SI DIODE				Q 812	2SD669A/BC/	TRANSISTOR		
	D1991	1SS133-T2	SI DIODE				Q 813	2SB649A/BC/	TRANSISTOR		
	D1992	1SS133-T2	SI DIODE				Q 831	2SC2412K/RS/-X	CHIP TRANSISTOR		
	D1993	1SS133-T2	SI DIODE				Q 832	DTA124EKA-X	DIGI TRANSISTOR		
	D1995	1SS133-T2	SI DIODE				Q1601	2SC1775A/E/-T	TRANSISTOR		
	D1996	1SS133-T2	SI DIODE				Q1602	2SC1775A/E/-T	TRANSISTOR		
	EP701	QNZ0136-001Z	EARTH PLATE				Q1603	KTC3200/GL/-T	TRANSISTOR		
	IC601	VC5022-2	IC				Q1604	KTC3199/GL/-T	TRANSISTOR		
	IC602	VC5022-2	IC				Q1605	KTA1268/GL/-T	TRANSISTOR		
	IC603	VC5022-2	IC				Q1606	KTA1267/YG/-T	TRANSISTOR		
	IC604	VC5022-2	IC				Q1607	KTA1268/GL/-T	TRANSISTOR		
	IC605	VC5022-2	IC				Q1608	KTC3200/GL/-T	TRANSISTOR		
	IC606	VC5022-2	IC				Q1610	KTC3200/GL/-T	TRANSISTOR		
	IC607	VC5022-2	IC				Q1611	KTA1268/GL/-T	TRANSISTOR		
	IC951	TA7317P	IC				Q1612	2SD669A/BC/	TRANSISTOR		
	L 701	QQLZ003-1R0	INDUCTOR				Q1613	2SB649A/BC/	TRANSISTOR		
	L 751	QQLZ003-1R0	INDUCTOR				Q1631	2SC2412K/RS/-X	CHIP TRANSISTOR		

■ Electrical parts list (Amp. board)

Block No. 01

△	Item	Parts number	Parts name	Remarks	Area	△	Item	Parts number	Parts name	Remarks	Area
	Q1632	DTA124EKA-X	DIGI TRANSISTOR				R 708	QRE141J-101Y	C RESISTOR	100 5% 1/4W	
	Q1651	2SC1775A/E/-T	TRANSISTOR				R 709	QRJ146J-151X	UNF C RESISTOR	150 5% 1/4W	
	Q1652	2SC1775A/E/-T	TRANSISTOR				R 710	QRJ146J-562X	UNF C RESISTOR	5.6K 5% 1/4W	
	Q1653	KTC3200/GL/-T	TRANSISTOR				R 711	QRK126J-103X	UNF C RESISTOR	10K 5% 1/2W	
	Q1654	KTC3199/GL/-T	TRANSISTOR				R 712	QRE141J-680Y	C RESISTOR	68 5% 1/4W	
	Q1655	KTA1268/GL/-T	TRANSISTOR				R 713	QRE141J-152Y	C RESISTOR	1.5K 5% 1/4W	
	Q1656	KTA1267/YG/-T	TRANSISTOR				R 714	QRE141J-333Y	C RESISTOR	33K 5% 1/4W	
	Q1657	KTA1268/GL/-T	TRANSISTOR				R 715	QRE141J-151Y	C RESISTOR	150 5% 1/4W	
	Q1658	KTC3200/GL/-T	TRANSISTOR				R 716	QRE141J-680Y	C RESISTOR	68 5% 1/4W	
	Q1660	KTC3200/GL/-T	TRANSISTOR				R 717	QRE141J-331Y	C RESISTOR	330 5% 1/4W	
	Q1661	KTA1268/GL/-T	TRANSISTOR				R 718	QRE141J-471Y	C RESISTOR	470 5% 1/4W	
	Q1662	2SD669A/BC/	TRANSISTOR				R 719	QRE141J-391Y	C RESISTOR	390 5% 1/4W	
	Q1663	2SB649A/BC/	TRANSISTOR				R 720	QRJ146J-121X	UNF C RESISTOR	120 5% 1/4W	
	Q1681	2SC2412K/RS/-X	CHIP TRANSISTOR				R 721	QRJ146J-121X	UNF C RESISTOR	120 5% 1/4W	
	Q1682	DTA124EKA-X	DIGI TRANSISTOR				R 722	QRJ146J-272X	UNF C RESISTOR	2.7K 5% 1/4W	
	Q1701	2SC1775A/E/-T	TRANSISTOR				R 723	QRJ146J-120X	UNF C RESISTOR	12 5% 1/4W	
	Q1702	2SC1775A/E/-T	TRANSISTOR				R 724	QRJ146J-120X	UNF C RESISTOR	12 5% 1/4W	
	Q1703	KTC3200/GL/-T	TRANSISTOR				R 725	QRJ146J-271X	UNF C RESISTOR	270 5% 1/4W	
	Q1704	KTC3199/GL/-T	TRANSISTOR				R 726	QRJ146J-1R0X	UNF C RESISTOR	1.0 5% 1/4W	
	Q1705	KTA1268/GL/-T	TRANSISTOR				R 727	QRJ146J-1R0X	UNF C RESISTOR	1.0 5% 1/4W	
	Q1706	KTA1267/YG/-T	TRANSISTOR				R 728	QRZ0182-R10	EMIT RESISTOR	1/1W	
	Q1707	KTA1268/GL/-T	TRANSISTOR				R 729	QRZ0182-R10	EMIT RESISTOR	1/1W	
	Q1708	KTC3200/GL/-T	TRANSISTOR				R 731	QRL027J-472	UNF OMF RESISTOR	4.7K 5% 1/2W	
	Q1710	KTC3200/GL/-T	TRANSISTOR				R 732	NRSA02J-331X	MG RESISTOR		
	Q1711	KTA1268/GL/-T	TRANSISTOR				R 733	NRSA02J-103X	MG RESISTOR		
	Q1712	2SD669A/BC/	TRANSISTOR				R 735	QRJ125J-330	UNF C RESISTOR	33 5% 1/2W	
	Q1713	2SB649A/BC/	TRANSISTOR				R 736	QRL027J-100	UNF OMF RESISTOR	10 5% 1/2W	
	Q1731	2SC2412K/RS/-X	CHIP TRANSISTOR				R 741	QRA14CF-1003Y	MF RESISTOR	10 1/4W	
	Q1732	DTA124EKA-X	DIGI TRANSISTOR				R 742	QRA14CF-3601Y	MF RESISTOR	36 1/4W	
	Q1751	2SC1775A/E/-T	TRANSISTOR				R 751	QRA14CF-1001Y	MF RESISTOR	10 1/4W	
	Q1752	2SC1775A/E/-T	TRANSISTOR				R 752	QRA14CF-1003Y	MF RESISTOR	10 1/4W	
	Q1753	KTC3200/GL/-T	TRANSISTOR				R 753	QRE141J-102Y	C RESISTOR	1.0K 5% 1/4W	
	Q1754	KTC3199/GL/-T	TRANSISTOR				R 754	QRE141J-331Y	C RESISTOR	330 5% 1/4W	
	Q1755	KTA1268/GL/-T	TRANSISTOR				R 755	QRE141J-104Y	C RESISTOR	100K 5% 1/4W	
	Q1756	KTA1267/YG/-T	TRANSISTOR				R 756	QRE141J-202Y	C RESISTOR	2.0K 5% 1/4W	
	Q1757	KTA1268/GL/-T	TRANSISTOR				R 757	QRE141J-202Y	C RESISTOR	2.0K 5% 1/4W	
	Q1758	KTC3200/GL/-T	TRANSISTOR				R 758	QRE141J-101Y	C RESISTOR	100 5% 1/4W	
	Q1760	KTC3200/GL/-T	TRANSISTOR				R 759	QRJ146J-151X	UNF C RESISTOR	150 5% 1/4W	
	Q1761	KTA1268/GL/-T	TRANSISTOR				R 760	QRJ146J-562X	UNF C RESISTOR	5.6K 5% 1/4W	
	Q1762	2SD669A/BC/	TRANSISTOR				R 761	QRK126J-103X	UNF C RESISTOR	10K 5% 1/2W	
	Q1763	2SB649A/BC/	TRANSISTOR				R 762	QRE141J-680Y	C RESISTOR	68 5% 1/4W	
	Q1781	2SC2412K/RS/-X	CHIP TRANSISTOR				R 763	QRE141J-152Y	C RESISTOR	1.5K 5% 1/4W	
	Q1782	DTA124EKA-X	DIGI TRANSISTOR				R 764	QRE141J-333Y	C RESISTOR	33K 5% 1/4W	
	Q1901	2SC3906K/RS/-X	HIP TRANSISTOR				R 765	QRE141J-151Y	C RESISTOR	150 5% 1/4W	
	Q1911	2SC3906K/RS/-X	HIP TRANSISTOR				R 766	QRE141J-680Y	C RESISTOR	68 5% 1/4W	
	Q1921	2SC3906K/RS/-X	HIP TRANSISTOR				R 767	QRE141J-331Y	C RESISTOR	330 5% 1/4W	
	Q1931	2SC3906K/RS/-X	HIP TRANSISTOR				R 768	QRE141J-471Y	C RESISTOR	470 5% 1/4W	
	Q1941	2SC3906K/RS/-X	HIP TRANSISTOR				R 769	QRE141J-391Y	C RESISTOR	390 5% 1/4W	
	Q1951	2SC3906K/RS/-X	HIP TRANSISTOR				R 770	QRJ146J-121X	UNF C RESISTOR	120 5% 1/4W	
	Q1961	2SC3906K/RS/-X	HIP TRANSISTOR				R 771	QRJ146J-121X	UNF C RESISTOR	120 5% 1/4W	
	Q1971	2SA1514K/RS/-X	HIP TRANSISTOR				R 772	QRJ146J-272X	UNF C RESISTOR	2.7K 5% 1/4W	
	Q1991	KRC105M-T	D TRANSISTOR				R 773	QRJ146J-120X	UNF C RESISTOR	12 5% 1/4W	
	Q1992	KRC105M-T	D TRANSISTOR				R 774	QRJ146J-120X	UNF C RESISTOR	12 5% 1/4W	
	Q1993	KRC105M-T	D TRANSISTOR				R 775	QRJ146J-271X	UNF C RESISTOR	270 5% 1/4W	
	Q1995	KRC105M-T	D TRANSISTOR				R 776	QRJ146J-1R0X	UNF C RESISTOR	1.0 5% 1/4W	
	Q1996	KRC105M-T	D TRANSISTOR				R 777	QRJ146J-1R0X	UNF C RESISTOR	1.0 5% 1/4W	
	R 701	QRA14CF-1001Y	MF RESISTOR	10 1/4W			R 778	QRZ0182-R10	EMIT RESISTOR	1/1W	
	R 702	QRA14CF-1003Y	MF RESISTOR	10 1/4W			R 779	QRZ0182-R10	EMIT RESISTOR	1/1W	
	R 703	QRE141J-102Y	C RESISTOR	1.0K 5% 1/4W			R 781	QRL027J-472	UNF OMF RESISTOR	4.7K 5% 1/2W	
	R 704	QRE141J-331Y	C RESISTOR	330 5% 1/4W			R 782	NRSA02J-331X	MG RESISTOR		
	R 705	QRE141J-104Y	C RESISTOR	100K 5% 1/4W			R 783	NRSA02J-103X	MG RESISTOR		
	R 706	QRE141J-202Y	C RESISTOR	2.0K 5% 1/4W			R 785	QRJ125J-330	UNF C RESISTOR	33 5% 1/2W	
	R 707	QRE141J-202Y	C RESISTOR	2.0K 5% 1/4W			R 786	QRL027J-100	UNF OMF RESISTOR	10 5% 1/2W	

■ Electrical parts list (Amp. board)

Block No. 01

△	Item	Parts number	Parts name	Remarks	Area	△	Item	Parts number	Parts name	Remarks	Area
	R 791	QRA14CF-1003Y	MF RESISTOR	10 1/4W			R1614	QRE141J-333Y	C RESISTOR	33K 5% 1/4W	
	R 792	QRA14CF-3601Y	MF RESISTOR	36 1/4W			R1615	QRE141J-151Y	C RESISTOR	150 5% 1/4W	
	R 796	QRJ146J-150X	UNF C RESISTOR	15 5% 1/4W			R1616	QRE141J-680Y	C RESISTOR	68 5% 1/4W	
	R 797	QRJ146J-330X	UNF C RESISTOR	33 5% 1/4W			R1617	QRE141J-331Y	C RESISTOR	330 5% 1/4W	
	R 801	QRA14CF-1001Y	MF RESISTOR	10 1/4W			R1618	QRE141J-471Y	C RESISTOR	470 5% 1/4W	
	R 802	QRA14CF-1003Y	MF RESISTOR	10 1/4W			R1619	QRE141J-391Y	C RESISTOR	390 5% 1/4W	
	R 803	QRE141J-102Y	C RESISTOR	1.0K 5% 1/4W			R1620	QRJ146J-121X	UNF C RESISTOR	120 5% 1/4W	
	R 804	QRE141J-331Y	C RESISTOR	330 5% 1/4W			R1621	QRJ146J-121X	UNF C RESISTOR	120 5% 1/4W	
	R 805	QRE141J-104Y	C RESISTOR	100K 5% 1/4W			R1622	QRJ146J-272X	UNF C RESISTOR	2.7K 5% 1/4W	
	R 806	QRE141J-202Y	C RESISTOR	2.0K 5% 1/4W			R1623	QRJ146J-120X	UNF C RESISTOR	12 5% 1/4W	
	R 807	QRE141J-202Y	C RESISTOR	2.0K 5% 1/4W			R1624	QRJ146J-120X	UNF C RESISTOR	12 5% 1/4W	
	R 808	QRE141J-101Y	C RESISTOR	100 5% 1/4W			R1625	QRJ146J-271X	UNF C RESISTOR	270 5% 1/4W	
	R 809	QRJ146J-151X	UNF C RESISTOR	150 5% 1/4W			R1626	QRJ146J-1R0X	UNF C RESISTOR	1.0 5% 1/4W	
	R 810	QRJ146J-562X	UNF C RESISTOR	5.6K 5% 1/4W			R1627	QRJ146J-1R0X	UNF C RESISTOR	1.0 5% 1/4W	
	R 811	QRK126J-103X	UNF C RESISTOR	10K 5% 1/2W			R1628	QRZ0182-R10	EMIT RESISTOR	1/1W	
	R 812	QRE141J-680Y	C RESISTOR	68 5% 1/4W			R1629	QRZ0182-R10	EMIT RESISTOR	1/1W	
	R 813	QRE141J-152Y	C RESISTOR	1.5K 5% 1/4W			R1631	QRL027J-472	UNF OMF RESISTOR	4.7K 5% 1/2W	
	R 814	QRE141J-333Y	C RESISTOR	33K 5% 1/4W			R1632	NRSA02J-331X	MG RESISTOR		
	R 815	QRE141J-151Y	C RESISTOR	150 5% 1/4W			R1633	NRSA02J-103X	MG RESISTOR		
	R 816	QRE141J-680Y	C RESISTOR	68 5% 1/4W			R1635	QRJ125J-330	UNF C RESISTOR	33 5% 1/2W	
	R 817	QRE141J-331Y	C RESISTOR	330 5% 1/4W			R1636	QRL027J-100	UNF OMF RESISTOR	10 5% 1/2W	
	R 818	QRE141J-471Y	C RESISTOR	470 5% 1/4W			R1641	QRA14CF-1003Y	MF RESISTOR	10 1/4W	
	R 819	QRE141J-391Y	C RESISTOR	390 5% 1/4W			R1642	QRA14CF-3601Y	MF RESISTOR	36 1/4W	
	R 820	QRJ146J-121X	UNF C RESISTOR	120 5% 1/4W			R1651	QRA14CF-1001Y	MF RESISTOR	10 1/4W	
	R 821	QRJ146J-121X	UNF C RESISTOR	120 5% 1/4W			R1652	QRA14CF-1003Y	MF RESISTOR	10 1/4W	
	R 822	QRJ146J-272X	UNF C RESISTOR	2.7K 5% 1/4W			R1653	QRE141J-102Y	C RESISTOR	1.0K 5% 1/4W	
	R 823	QRJ146J-120X	UNF C RESISTOR	12 5% 1/4W			R1654	QRE141J-331Y	C RESISTOR	330 5% 1/4W	
	R 824	QRJ146J-120X	UNF C RESISTOR	12 5% 1/4W			R1655	QRE141J-104Y	C RESISTOR	100K 5% 1/4W	
	R 825	QRJ146J-271X	UNF C RESISTOR	270 5% 1/4W			R1656	QRE141J-202Y	C RESISTOR	2.0K 5% 1/4W	
	R 826	QRJ146J-1R0X	UNF C RESISTOR	1.0 5% 1/4W			R1657	QRE141J-202Y	C RESISTOR	2.0K 5% 1/4W	
	R 827	QRJ146J-1R0X	UNF C RESISTOR	1.0 5% 1/4W			R1658	QRE141J-101Y	C RESISTOR	100 5% 1/4W	
	R 828	QRZ0182-R10	EMIT RESISTOR	1/1W			R1659	QRJ146J-151X	UNF C RESISTOR	150 5% 1/4W	
	R 829	QRZ0182-R10	EMIT RESISTOR	1/1W			R1660	QRJ146J-562X	UNF C RESISTOR	5.6K 5% 1/4W	
	R 831	QRL027J-472	UNF OMF RESISTOR	4.7K 5% 1/2W			R1661	QRK126J-103X	UNF C RESISTOR	10K 5% 1/2W	
	R 832	NRSA02J-331X	MG RESISTOR				R1662	QRE141J-680Y	C RESISTOR	68 5% 1/4W	
	R 833	NRSA02J-103X	MG RESISTOR				R1663	QRE141J-152Y	C RESISTOR	1.5K 5% 1/4W	
	R 835	QRJ125J-330	UNF C RESISTOR	33 5% 1/2W			R1664	QRE141J-333Y	C RESISTOR	33K 5% 1/4W	
	R 836	QRL027J-100	UNF OMF RESISTOR	10 5% 1/2W			R1665	QRE141J-151Y	C RESISTOR	150 5% 1/4W	
	R 841	QRA14CF-1003Y	MF RESISTOR	10 1/4W			R1666	QRE141J-680Y	C RESISTOR	68 5% 1/4W	
	R 842	QRA14CF-3601Y	MF RESISTOR	36 1/4W			R1667	QRE141J-331Y	C RESISTOR	330 5% 1/4W	
	RY751	QSK0112-001	RELAY				R1668	QRE141J-471Y	C RESISTOR	470 5% 1/4W	
△	RY771	QSK0131-001	RELAY				R1669	QRE141J-391Y	C RESISTOR	390 5% 1/4W	
△	RY772	QSK0131-001	RELAY				R1670	QRJ146J-121X	UNF C RESISTOR	120 5% 1/4W	
△	RY773	QSK0131-001	RELAY				R1671	QRJ146J-121X	UNF C RESISTOR	120 5% 1/4W	
△	RY774	QSK0131-001	RELAY				R1672	QRJ146J-272X	UNF C RESISTOR	2.7K 5% 1/4W	
	RY901	QSK0109-001	RELAY				R1673	QRJ146J-120X	UNF C RESISTOR	12 5% 1/4W	
	RY902	QSK0109-001	RELAY				R1674	QRJ146J-120X	UNF C RESISTOR	12 5% 1/4W	
	RY904	QSK0109-001	RELAY				R1675	QRJ146J-271X	UNF C RESISTOR	270 5% 1/4W	
	RY905	QSK0109-001	RELAY				R1676	QRJ146J-1R0X	UNF C RESISTOR	1.0 5% 1/4W	
	RY906	QSK0109-001	RELAY				R1677	QRJ146J-1R0X	UNF C RESISTOR	1.0 5% 1/4W	
	R1601	QRA14CF-1001Y	MF RESISTOR	10 1/4W			R1678	QRZ0182-R10	EMIT RESISTOR	1/1W	
	R1602	QRA14CF-1003Y	MF RESISTOR	10 1/4W			R1679	QRZ0182-R10	EMIT RESISTOR	1/1W	
	R1603	QRE141J-102Y	C RESISTOR	1.0K 5% 1/4W			R1682	NRSA02J-331X	MG RESISTOR		
	R1604	QRE141J-331Y	C RESISTOR	330 5% 1/4W			R1683	NRSA02J-103X	MG RESISTOR		
	R1605	QRE141J-104Y	C RESISTOR	100K 5% 1/4W			R1685	QRJ125J-330	UNF C RESISTOR	33 5% 1/2W	
	R1606	QRE141J-202Y	C RESISTOR	2.0K 5% 1/4W			R1686	QRL027J-100	UNF OMF RESISTOR	10 5% 1/2W	
	R1607	QRE141J-202Y	C RESISTOR	2.0K 5% 1/4W			R1691	QRA14CF-1003Y	MF RESISTOR	10 1/4W	
	R1608	QRE141J-101Y	C RESISTOR	100 5% 1/4W			R1692	QRA14CF-3601Y	MF RESISTOR	36 1/4W	
	R1609	QRJ146J-151X	UNF C RESISTOR	150 5% 1/4W			R1701	QRA14CF-1001Y	MF RESISTOR	10 1/4W	
	R1610	QRJ146J-562X	UNF C RESISTOR	5.6K 5% 1/4W			R1702	QRA14CF-1003Y	MF RESISTOR	10 1/4W	
	R1611	QRK126J-103X	UNF C RESISTOR	10K 5% 1/2W			R1703	QRE141J-102Y	C RESISTOR	1.0K 5% 1/4W	
	R1612	QRE141J-680Y	C RESISTOR	68 5% 1/4W			R1704	QRE141J-331Y	C RESISTOR	330 5% 1/4W	
	R1613	QRE141J-152Y	C RESISTOR	1.5K 5% 1/4W			R1705	QRE141J-104Y	C RESISTOR	100K 5% 1/4W	

■ Electrical parts list (Amp. board)

Block No. 01

△	Item	Parts number	Parts name	Remarks	Area	△	Item	Parts number	Parts name	Remarks	Area
	R1706	QRE141J-202Y	C RESISTOR	2.0K 5% 1/4W			R1791	QRA14CF-1003Y	MF RESISTOR	10 1/4W	
	R1707	QRE141J-202Y	C RESISTOR	2.0K 5% 1/4W			R1792	QRA14CF-3601Y	MF RESISTOR	36 1/4W	
	R1708	QRE141J-101Y	C RESISTOR	100 5% 1/4W			R1901	NRSA02J-122X	MG RESISTOR		
	R1709	QRJ146J-151X	UNF C RESISTOR	150 5% 1/4W			R1902	NRSA02J-153X	MG RESISTOR		
	R1710	QRJ146J-562X	UNF C RESISTOR	5.6K 5% 1/4W			R1903	NRSA02J-123X	MG RESISTOR		
	R1711	QRK126J-103X	UNF C RESISTOR	10K 5% 1/2W			R1904	NRSA02J-104X	MG RESISTOR		
	R1712	QRE141J-680Y	C RESISTOR	68 5% 1/4W			R1911	NRSA02J-122X	MG RESISTOR		
	R1713	QRE141J-152Y	C RESISTOR	1.5K 5% 1/4W			R1912	NRSA02J-153X	MG RESISTOR		
	R1714	QRE141J-333Y	C RESISTOR	33K 5% 1/4W			R1913	NRSA02J-123X	MG RESISTOR		
	R1715	QRE141J-151Y	C RESISTOR	150 5% 1/4W			R1914	NRSA02J-104X	MG RESISTOR		
	R1716	QRE141J-680Y	C RESISTOR	68 5% 1/4W			R1921	NRSA02J-122X	MG RESISTOR		
	R1717	QRE141J-331Y	C RESISTOR	330 5% 1/4W			R1922	NRSA02J-153X	MG RESISTOR		
	R1718	QRE141J-471Y	C RESISTOR	470 5% 1/4W			R1923	NRSA02J-123X	MG RESISTOR		
	R1719	QRE141J-391Y	C RESISTOR	390 5% 1/4W			R1924	NRSA02J-104X	MG RESISTOR		
	R1720	QRJ146J-121X	UNF C RESISTOR	120 5% 1/4W			R1931	NRSA02J-122X	MG RESISTOR		
	R1721	QRJ146J-121X	UNF C RESISTOR	120 5% 1/4W			R1932	NRSA02J-153X	MG RESISTOR		
	R1722	QRJ146J-272X	UNF C RESISTOR	2.7K 5% 1/4W			R1933	NRSA02J-123X	MG RESISTOR		
	R1723	QRJ146J-120X	UNF C RESISTOR	12 5% 1/4W			R1934	NRSA02J-104X	MG RESISTOR		
	R1724	QRJ146J-120X	UNF C RESISTOR	12 5% 1/4W			R1941	NRSA02J-122X	MG RESISTOR		
	R1725	QRJ146J-271X	UNF C RESISTOR	270 5% 1/4W			R1942	NRSA02J-153X	MG RESISTOR		
	R1726	QRJ146J-1R0X	UNF C RESISTOR	1.0 5% 1/4W			R1943	NRSA02J-123X	MG RESISTOR		
	R1727	QRJ146J-1R0X	UNF C RESISTOR	1.0 5% 1/4W			R1944	NRSA02J-104X	MG RESISTOR		
	R1728	QRZ0182-R10	EMIT RESISTOR	1/1W			R1951	NRSA02J-122X	MG RESISTOR		
	R1729	QRZ0182-R10	EMIT RESISTOR	1/1W			R1952	NRSA02J-153X	MG RESISTOR		
	R1732	NRSA02J-331X	MG RESISTOR				R1953	NRSA02J-123X	MG RESISTOR		
	R1733	NRSA02J-103X	MG RESISTOR				R1954	NRSA02J-104X	MG RESISTOR		
	R1735	QRJ125J-330	UNF C RESISTOR	33 5% 1/2W			R1961	NRSA02J-122X	MG RESISTOR		
	R1736	QRL027J-100	UNF OMF RESISTOR	10 5% 1/2W			R1962	NRSA02J-153X	MG RESISTOR		
	R1741	QRA14CF-1003Y	MF RESISTOR	10 1/4W			R1963	NRSA02J-123X	MG RESISTOR		
	R1742	QRA14CF-3601Y	MF RESISTOR	36 1/4W			R1964	NRSA02J-104X	MG RESISTOR		
	R1751	QRA14CF-1001Y	MF RESISTOR	10 1/4W			R1971	NRSA02J-103X	MG RESISTOR		
	R1752	QRA14CF-1003Y	MF RESISTOR	10 1/4W			R1972	NRSA02J-332X	MG RESISTOR		
	R1753	QRE141J-102Y	C RESISTOR	1.0K 5% 1/4W			R1973	NRSA02J-473X	MG RESISTOR		
	R1754	QRE141J-331Y	C RESISTOR	330 5% 1/4W			R1974	NRSA02J-563X	MG RESISTOR		
	R1755	QRE141J-104Y	C RESISTOR	100K 5% 1/4W			R1975	NRSA02J-683X	MG RESISTOR		
	R1756	QRE141J-202Y	C RESISTOR	2.0K 5% 1/4W			R1976	QRE141J-273Y	C RESISTOR	27K 5% 1/4W	
	R1757	QRE141J-202Y	C RESISTOR	2.0K 5% 1/4W			R1977	NRSA02J-224X	MG RESISTOR		
	R1758	QRE141J-101Y	C RESISTOR	100 5% 1/4W			R1978	QRE141J-223Y	C RESISTOR	22K 5% 1/4W	
	R1759	QRJ146J-151X	UNF C RESISTOR	150 5% 1/4W			R1979	NRSA02J-224X	MG RESISTOR		
	R1760	QRJ146J-562X	UNF C RESISTOR	5.6K 5% 1/4W			R1981	QRJ146J-330X	UNF C RESISTOR	33 5% 1/4W	
	R1761	QRK126J-103X	UNF C RESISTOR	10K 5% 1/2W			R1982	QRJ146J-330X	UNF C RESISTOR	33 5% 1/4W	
	R1762	QRE141J-680Y	C RESISTOR	68 5% 1/4W			R1983	QRJ146J-330X	UNF C RESISTOR	33 5% 1/4W	
	R1763	QRE141J-152Y	C RESISTOR	1.5K 5% 1/4W			R1985	QRJ146J-330X	UNF C RESISTOR	33 5% 1/4W	
	R1764	QRE141J-333Y	C RESISTOR	33K 5% 1/4W			R1986	QRJ146J-330X	UNF C RESISTOR	33 5% 1/4W	
	R1765	QRE141J-151Y	C RESISTOR	150 5% 1/4W			ST901	QNB0130-001	SPK TERMINAL		
	R1766	QRE141J-680Y	C RESISTOR	68 5% 1/4W			ST902	QNB0128-001	SPK TERMINAL		
	R1767	QRE141J-331Y	C RESISTOR	330 5% 1/4W			ST903	QNB0129-001	SPK TERMINAL		
	R1768	QRE141J-471Y	C RESISTOR	470 5% 1/4W			TH701	QAD0010-351	THERMISTOR		
	R1769	QRE141J-391Y	C RESISTOR	390 5% 1/4W			TH702	QAD0010-351	THERMISTOR		
	R1770	QRJ146J-121X	UNF C RESISTOR	120 5% 1/4W			TH751	QAD0010-351	THERMISTOR		
	R1771	QRJ146J-121X	UNF C RESISTOR	120 5% 1/4W			TH752	QAD0010-351	THERMISTOR		
	R1772	QRJ146J-272X	UNF C RESISTOR	2.7K 5% 1/4W			TH771	QAD0010-351	THERMISTOR		
	R1773	QRJ146J-120X	UNF C RESISTOR	12 5% 1/4W			TH772	QAD0010-351	THERMISTOR		
	R1774	QRJ146J-120X	UNF C RESISTOR	12 5% 1/4W			TH801	QAD0010-351	THERMISTOR		
	R1775	QRJ146J-271X	UNF C RESISTOR	270 5% 1/4W			VR701	QVP0008-501Z	SEMI V RESISTOR		
	R1776	QRJ146J-1R0X	UNF C RESISTOR	1.0 5% 1/4W			VR702	QVP0008-501Z	SEMI V RESISTOR		
	R1777	QRJ146J-1R0X	UNF C RESISTOR	1.0 5% 1/4W			VR751	QVP0008-501Z	SEMI V RESISTOR		
	R1778	QRZ0182-R10	EMIT RESISTOR	1/1W			VR752	QVP0008-501Z	SEMI V RESISTOR		
	R1779	QRZ0182-R10	EMIT RESISTOR	1/1W			VR771	QVP0008-501Z	SEMI V RESISTOR		
	R1782	NRSA02J-331X	MG RESISTOR				VR772	QVP0008-501Z	SEMI V RESISTOR		
	R1783	NRSA02J-103X	MG RESISTOR				VR801	QVP0008-501Z	SEMI V RESISTOR		
	R1785	QRJ125J-330	UNF C RESISTOR	33 5% 1/2W			WR 83	QJK015-053200	SIN CR C-B WIRE		
	R1786	QRL027J-100	UNF OMF RESISTOR	10 5% 1/2W			WR 84	QJK015-053402	SIN CR C-B WIRE		

■ Electrical parts list (Amp. board)

Block No. 01

△	Item	Parts number	Parts name	Remarks	Area
	WR701	QJK016-113801	SIN CR C-B WIRE		
	WR702	QJK016-053800	SIN CR C-B WIRE		
	WR703	QJK016-083603	SIN CR C-B WIRE		
	WR711	WJK0139-001A	E-SI C WIRE C-B		
	WR712	WJK0139-001A	E-SI C WIRE C-B		
	WR713	WJK0139-002A	E-SI C WIRE C-B		
	WR714	WJK0139-003A	E-SI C WIRE C-B		
	WR715	WJK0139-002A	E-SI C WIRE C-B		
	WR716	WJK0140-001A	E-SI C WIRE C-B		
	WR717	WJK0140-001A	E-SI C WIRE C-B		
	WR731	WJK0128-001A	E-SI C WIRE C-B		
	WR736	WJK0129-001A	E-SI C WIRE C-B		
	WR741	QJL005-051003	SIN CR B-B WIRE		
	WR742	QJL005-051001	SIN CR B-B WIRE		

■ Electrical parts list
(Audio/video input & outpat board)

Block No. 02

△	Item	Parts number	Parts name	Remarks	Area	△	Item	Parts number	Parts name	Remarks	Area
	C 201	NCB31HK-331X	C CAPACITOR				C 284	NCB31HK-223X	C CAPACITOR		
	C 202	NCB31HK-331X	C CAPACITOR				C 285	NCB31HK-561X	C CAPACITOR		
	C 203	QETN1HM-475Z	E CAPACITOR	4.7MF 20% 50V			C 301	QETN1HM-226Z	E CAPACITOR	22MF 20% 50V	
	C 204	QETN1HM-475Z	E CAPACITOR	4.7MF 20% 50V			C 311	NCS31HJ-221X	C CAPACITOR		
	C 205	NCS31HJ-101X	C CAPACITOR				C 312	NCS31HJ-221X	C CAPACITOR		
	C 206	NCS31HJ-101X	C CAPACITOR				C 313	NCS31HJ-221X	C CAPACITOR		
	C 207	QFN31HJ-472Z	M CAPACITOR	4700PF 5% 50V			C 321	NCB31HK-331X	C CAPACITOR		
	C 208	QFN31HJ-472Z	M CAPACITOR	4700PF 5% 50V			C 322	NCB31HK-331X	C CAPACITOR		
	C 209	QFN31HJ-153Z	M CAPACITOR	0.015MF 5% 50V			C 323	NCB31HK-331X	C CAPACITOR		
	C 210	QFN31HJ-153Z	M CAPACITOR	0.015MF 5% 50V			C 324	NCB31HK-331X	C CAPACITOR		
	C 211	QCS31HJ-331Z	C CAPACITOR	330PF 5% 50V			C 325	NCB31HK-331X	C CAPACITOR		
	C 212	QCS31HJ-331Z	C CAPACITOR	330PF 5% 50V			C 326	NCB31HK-331X	C CAPACITOR		
	C 213	QFN31HJ-272Z	M CAPACITOR	2700PF 5% 50V			C 327	NCB31HK-331X	C CAPACITOR		
	C 214	QFN31HJ-272Z	M CAPACITOR	2700PF 5% 50V			C 328	NCB31HK-331X	C CAPACITOR		
	C 215	NCS31HJ-101X	C CAPACITOR				C 329	NCB31HK-331X	C CAPACITOR		
	C 216	NCS31HJ-101X	C CAPACITOR				C 330	NCB31HK-331X	C CAPACITOR		
	C 217	QETN1AM-227Z	E CAPACITOR	220MF 20% 10V			C 331	NCB31HK-331X	C CAPACITOR		
	C 218	QETN1AM-227Z	E CAPACITOR	220MF 20% 10V			C 332	NCB31HK-331X	C CAPACITOR		
	C 219	QETN1HM-475Z	E CAPACITOR	4.7MF 20% 50V			C 333	NCB31HK-331X	C CAPACITOR		
	C 220	QETN1HM-475Z	E CAPACITOR	4.7MF 20% 50V			C 334	NCB31HK-331X	C CAPACITOR		
	C 221	QFN31HJ-102Z	M CAPACITOR	1000PF 5% 50V			C 335	NCB31HK-331X	C CAPACITOR		
	C 222	QFN31HJ-102Z	M CAPACITOR	1000PF 5% 50V			C 336	NCB31HK-331X	C CAPACITOR		
	C 223	QETN1EM-476Z	E CAPACITOR	47MF 20% 25V			C 337	NCB31HK-331X	C CAPACITOR		
	C 224	QETN1EM-476Z	E CAPACITOR	47MF 20% 25V			C 338	NCB31HK-331X	C CAPACITOR		
	C 225	NCB31HK-223X	C CAPACITOR				C 341	QETN1EM-226Z	E CAPACITOR	22MF 20% 25V	
	C 226	NCB31HK-223X	C CAPACITOR				C 342	QETN1EM-226Z	E CAPACITOR	22MF 20% 25V	
	C 231	QETN1EM-226Z	E CAPACITOR	22MF 20% 25V			C 343	NCB31HK-223X	C CAPACITOR		
	C 232	QETN1EM-226Z	E CAPACITOR	22MF 20% 25V			C 344	NCB31HK-223X	C CAPACITOR		
	C 233	NCB31HK-223X	C CAPACITOR				C 345	NCB31HK-561X	C CAPACITOR		
	C 234	NCB31HK-223X	C CAPACITOR				C 363	QETN1HM-226Z	E CAPACITOR	22MF 20% 50V	
	C 235	NCB31HK-561X	C CAPACITOR				C 365	QETN1HM-226Z	E CAPACITOR	22MF 20% 50V	
	C 241	QTE1H46-106Z	E CAPACITOR				C 369	QETN1HM-226Z	E CAPACITOR	22MF 20% 50V	
	C 242	QTE1H46-106Z	E CAPACITOR				C 401	QETN1HM-475Z	E CAPACITOR	4.7MF 20% 50V	
	C 243	QTE1H46-106Z	E CAPACITOR				C 402	QETN0JM-477Z	E CAPACITOR	470MF 20% 6.3V	
	C 244	QTE1H46-106Z	E CAPACITOR				C 403	QETN1HM-475Z	E CAPACITOR	4.7MF 20% 50V	
	C 245	QETN1EM-476Z	E CAPACITOR	47MF 20% 25V			C 404	QETN0JM-477Z	E CAPACITOR	470MF 20% 6.3V	
	C 246	QETN1EM-476Z	E CAPACITOR	47MF 20% 25V			C 405	QETN1HM-475Z	E CAPACITOR	4.7MF 20% 50V	
	C 247	NCB31HK-223X	C CAPACITOR				C 406	QETN1HM-475Z	E CAPACITOR	4.7MF 20% 50V	
	C 248	NCB31HK-223X	C CAPACITOR				C 407	QETN0JM-477Z	E CAPACITOR	470MF 20% 6.3V	
	C 251	NCB31HK-331X	C CAPACITOR				C 408	QETN1EM-476Z	E CAPACITOR	47MF 20% 25V	
	C 252	NCB31HK-331X	C CAPACITOR				C 409	NCB31HK-103X	C CAPACITOR		
	C 253	NCB31HK-331X	C CAPACITOR				C 410	QETN1HM-475Z	E CAPACITOR	4.7MF 20% 50V	
	C 254	NCB31HK-331X	C CAPACITOR				C 411	QETN1HM-107Z	E CAPACITOR	100MF 20% 50V	
	C 255	NCB31HK-331X	C CAPACITOR				C 412	NCF21CZ-225X	C CAPACITOR		
	C 256	NCB31HK-331X	C CAPACITOR				C 413	QETN1HM-475Z	E CAPACITOR	4.7MF 20% 50V	
	C 257	NCB31HK-331X	C CAPACITOR				C 414	QETN1HM-475Z	E CAPACITOR	4.7MF 20% 50V	
	C 258	NCB31HK-331X	C CAPACITOR				C 415	QETN1HM-475Z	E CAPACITOR	4.7MF 20% 50V	
	C 259	NCB31HK-331X	C CAPACITOR				C 416	NCF31HZ-473X	C CAPACITOR		
	C 260	NCB31HK-331X	C CAPACITOR				C 417	QETN1AM-477Z	E CAPACITOR	470MF 20% 10V	
	C 261	NCB31HK-331X	C CAPACITOR				C 418	NCB31HK-103X	C CAPACITOR		
	C 262	NCB31HK-331X	C CAPACITOR				C 419	NCS31HJ-150X	C CAPACITOR		
	C 263	NCB31HK-331X	C CAPACITOR				C 420	NCS31HJ-100X	C CAPACITOR		
	C 264	NCB31HK-331X	C CAPACITOR				C 421	NCS31HJ-470X	C CAPACITOR		
	C 265	NCB31HK-331X	C CAPACITOR				C 422	NCS31HJ-270X	C CAPACITOR		
	C 266	NCB31HK-331X	C CAPACITOR				C 423	NCB31HK-102X	C CAPACITOR		
	C 271	QETN1EM-226Z	E CAPACITOR	22MF 20% 25V			C 424	NCS31HJ-271X	C CAPACITOR		
	C 272	QETN1EM-226Z	E CAPACITOR	22MF 20% 25V			C 425	NCS31HJ-121X	C CAPACITOR		
	C 273	NCB31HK-223X	C CAPACITOR				C 426	NCS31HJ-470X	C CAPACITOR		
	C 274	NCB31HK-223X	C CAPACITOR				C 427	NCS31HJ-470X	C CAPACITOR		
	C 275	NCB31HK-561X	C CAPACITOR				C 428	NCS31HJ-470X	C CAPACITOR		
	C 281	QETN1EM-226Z	E CAPACITOR	22MF 20% 25V			C 431	NCF31HZ-473X	C CAPACITOR		
	C 282	QETN1EM-226Z	E CAPACITOR	22MF 20% 25V			C 432	QETN1HM-475Z	E CAPACITOR	4.7MF 20% 50V	
	C 283	NCB31HK-223X	C CAPACITOR				C 433	NCF31HZ-473X	C CAPACITOR		

■ Electrical parts list
(Audio/video input & output board)

Block No. 02

△	Item	Parts number	Parts name	Remarks	Area	△	Item	Parts number	Parts name	Remarks	Area
	C 434	QETN0JM-477Z	E CAPACITOR	470MF 20% 6.3V			C2062	QTE1H46-475Z	E CAPACITOR		
	C 435	NCF31HZ-473X	C CAPACITOR				C2063	QETN1EM-227Z	E CAPACITOR	220MF 20% 25V	
	C 436	QETN1HM-475Z	E CAPACITOR	4.7MF 20% 50V			C2064	QETN1EM-227Z	E CAPACITOR	220MF 20% 25V	
	C 437	NCF31HZ-473X	C CAPACITOR				C2065	NCB31HK-223X	C CAPACITOR		
	C 438	QETN0JM-477Z	E CAPACITOR	470MF 20% 6.3V			C2066	NCB31HK-223X	C CAPACITOR		
	C 439	NCF31HZ-473X	C CAPACITOR				C2067	QETN1HM-475Z	E CAPACITOR	4.7MF 20% 50V	
	C 440	QETN1HM-475Z	E CAPACITOR	4.7MF 20% 50V			C2068	QETN1HM-475Z	E CAPACITOR	4.7MF 20% 50V	
	C 441	NCF31HZ-473X	C CAPACITOR				C2069	QETN1HM-475Z	E CAPACITOR	4.7MF 20% 50V	
	C 442	QETN1HM-475Z	E CAPACITOR	4.7MF 20% 50V			C2070	QETN1HM-475Z	E CAPACITOR	4.7MF 20% 50V	
	C 443	NCF31HZ-473X	C CAPACITOR				C2071	QETN1EM-227Z	E CAPACITOR	220MF 20% 25V	
	C 444	QETN0JM-477Z	E CAPACITOR	470MF 20% 6.3V			C2072	QETN1EM-227Z	E CAPACITOR	220MF 20% 25V	
	C 445	NCF31HZ-473X	C CAPACITOR				C2073	NCB31HK-223X	C CAPACITOR		
	C 446	QETN1HM-475Z	E CAPACITOR	4.7MF 20% 50V			C2074	NCB31HK-223X	C CAPACITOR		
	C 447	QETN1EM-476Z	E CAPACITOR	47MF 20% 25V			C2075	QETN1HM-475Z	E CAPACITOR	4.7MF 20% 50V	
	C 448	QETN1EM-476Z	E CAPACITOR	47MF 20% 25V			C2076	QETN1HM-475Z	E CAPACITOR	4.7MF 20% 50V	
	C 449	NCB31HK-103X	C CAPACITOR				C2077	QETN1HM-475Z	E CAPACITOR	4.7MF 20% 50V	
	C 450	NCB31HK-103X	C CAPACITOR				C2078	QETN1HM-475Z	E CAPACITOR	4.7MF 20% 50V	
	C 451	QETN1HM-475Z	E CAPACITOR	4.7MF 20% 50V			C2079	QETN1EM-227Z	E CAPACITOR	220MF 20% 25V	
	C 452	NCF31HZ-473X	C CAPACITOR				C2080	QETN1EM-227Z	E CAPACITOR	220MF 20% 25V	
	C 453	NCS31HJ-470X	C CAPACITOR				C2081	NCB31HK-223X	C CAPACITOR		
	C 454	NCS31HJ-470X	C CAPACITOR				C2082	NCB31HK-223X	C CAPACITOR		
	C 455	NCS31HJ-470X	C CAPACITOR				C2203	NCB31HK-223X	C CAPACITOR		
	C 456	NCS31HJ-470X	C CAPACITOR				C2204	NCB31HK-223X	C CAPACITOR		
	C 457	NCS31HJ-101X	C CAPACITOR				C2207	QTE1H46-475Z	E CAPACITOR		
	C 458	NCS31HJ-101X	C CAPACITOR				C2208	QTE1H46-475Z	E CAPACITOR		
	C 461	NCF31HZ-473X	C CAPACITOR				C2212	NCB31HK-223X	C CAPACITOR		
	C 462	NCB31HK-103X	C CAPACITOR				C2213	NCB31HK-223X	C CAPACITOR		
	C 463	NCF31HZ-473X	C CAPACITOR				C2221	NCB31HK-223X	C CAPACITOR		
	C 464	NCB31HK-103X	C CAPACITOR				C2222	NCB31HK-223X	C CAPACITOR		
	C 465	NCF31HZ-473X	C CAPACITOR				C2230	NCB31HK-223X	C CAPACITOR		
	C 466	NCB31HK-103X	C CAPACITOR				C2231	NCB31HK-223X	C CAPACITOR		
	C 467	NCF31HZ-473X	C CAPACITOR				C2253	QETN1HM-475Z	E CAPACITOR	4.7MF 20% 50V	
	C 468	NCB31HK-103X	C CAPACITOR				C2254	QETN1HM-475Z	E CAPACITOR	4.7MF 20% 50V	
	C 469	NCB31HK-103X	C CAPACITOR				C2255	QETN1HM-475Z	E CAPACITOR	4.7MF 20% 50V	
	C 470	QETN1EM-476Z	E CAPACITOR	47MF 20% 25V			C2256	QETN1HM-475Z	E CAPACITOR	4.7MF 20% 50V	
	C 471	NCB31HK-103X	C CAPACITOR				C2257	QETN1HM-475Z	E CAPACITOR	4.7MF 20% 50V	
	CN203	QGA2001F1-15	15P PLUG ASSY				C2258	QETN1HM-475Z	E CAPACITOR	4.7MF 20% 50V	
	CN205	QGA2001F1-09	9P SOCKET				C2259	NCS31HJ-330X	C CAPACITOR		
	CN206	QGB2510K1-04	CONNECTOR				C2260	NCS31HJ-330X	C CAPACITOR		
	CN207	QGA2501F1-03	CONNECTOR				C2265	QETN1HM-475Z	E CAPACITOR	4.7MF 20% 50V	
	CN221	QGB2510K1-20	B TO B CONNE				C2266	QETN1HM-475Z	E CAPACITOR	4.7MF 20% 50V	
	CN223	QGA2001F1-11	11P CN RIG				C2267	QETN1EM-227Z	E CAPACITOR	220MF 20% 25V	
	CN224	QGA2001F1-07	CONNECTOR				C2268	QETN1EM-227Z	E CAPACITOR	220MF 20% 25V	
	CN234	QGA2001F1-06	6P PLUG ASSY				C2269	NCB31HK-223X	C CAPACITOR		
	CN321	QGB1214K1-20S	CONNECTOR				C2270	NCB31HK-223X	C CAPACITOR		
	CN323	QGF1205F1-15	CONNECTOR				C2273	NCB31HK-223X	C CAPACITOR		
	CN324	QGA2001F1-09	9P SOCKET				C2274	NCB31HK-223X	C CAPACITOR		
	CN325	QGB2510K2-07	CONNECTOR				C2301	NCB31HK-562X	C CAPACITOR		
	CN401	QGB1214K1-16S	CONNECTOR				C2302	NCB31HK-562X	C CAPACITOR		
	CN402	QGF1205F1-16	CONNECTOR				C2311	NCS31HJ-820X	C CAPACITOR		
	CN431	QGB2510K2-15	CONNECTOR				C2312	NCS31HJ-470X	C CAPACITOR		
	CN432	QGF1205F1-16	CONNECTOR				C2313	NCB31HK-561X	C CAPACITOR		
	C2051	QTE1H46-475Z	E CAPACITOR				C2314	NCB31CK-104X	C CAPACITOR		
	C2052	QTE1H46-475Z	E CAPACITOR				C2315	NCB31HK-331X	C CAPACITOR		
	C2053	QTE1H46-475Z	E CAPACITOR				C2316	QETN1HM-225Z	E CAPACITOR	2.2MF 20% 50V	
	C2054	QTE1H46-475Z	E CAPACITOR				C2317	NCF31HZ-473X	C CAPACITOR		
	C2055	QETN1EM-227Z	E CAPACITOR	220MF 20% 25V			C2318	QETN1CM-106Z	E CAPACITOR	10MF 20% 16V	
	C2056	QETN1EM-227Z	E CAPACITOR	220MF 20% 25V			C2319	NCS31HJ-101X	C CAPACITOR		
	C2057	NCB31HK-223X	C CAPACITOR				C2320	NCS31HJ-101X	C CAPACITOR		
	C2058	NCB31HK-223X	C CAPACITOR				C2401	QTE1H46-106Z	E CAPACITOR		
	C2059	QTE1H46-475Z	E CAPACITOR				C2402	QTE1H46-106Z	E CAPACITOR		
	C2060	QTE1H46-475Z	E CAPACITOR				C2403	QTE1H46-106Z	E CAPACITOR		
	C2061	QTE1H46-475Z	E CAPACITOR				C2404	QTE1H46-106Z	E CAPACITOR		

■ Electrical parts list
(Audio/video input & output board)

Block No. 02

△	Item	Parts number	Parts name	Remarks	Area	△	Item	Parts number	Parts name	Remarks	Area
	C2405	QETN1EM-476Z	E CAPACITOR	47MF 20% 25V			IC402	NJM2285V-W	IC		
	C2406	QETN1EM-476Z	E CAPACITOR	47MF 20% 25V			IC403	MB90088PF-131	IC		
	C2407	NCB31HK-223X	C CAPACITOR				IC431	BA7625	IC		
	C2408	NCB31HK-223X	C CAPACITOR				IC432	BA7626	IC		
	C2411	QETN1HM-106Z	E CAPACITOR	10MF 20% 50V			IC461	BU4051BC	IC		
	C2412	QETN1HM-106Z	E CAPACITOR	10MF 20% 50V			J 201	QNN0392-001	PIN JACK		
	C2413	QETN1HM-106Z	E CAPACITOR	10MF 20% 50V			J 202	QNN0392-001	PIN JACK		
	C2414	QETN1HM-106Z	E CAPACITOR	10MF 20% 50V			J 203	QNN0396-001	PIN JACK		
	C2415	QETN1EM-476Z	E CAPACITOR	47MF 20% 25V			J 321	QNN0392-001	PIN JACK		
	C2416	QETN1EM-476Z	E CAPACITOR	47MF 20% 25V			J 322	QNN0393-001	PIN JACK		
	C2417	NCB31HK-223X	C CAPACITOR				J 323	QNN0396-001	PIN JACK		
	C2418	NCB31HK-223X	C CAPACITOR				J 324	QNN0394-001	PIN JACK		
	C2421	QETN1HM-106Z	E CAPACITOR	10MF 20% 50V			J 401	QNN0402-001	PIN JACK		
	C2422	QETN1HM-106Z	E CAPACITOR	10MF 20% 50V			J 402	QNN0403-001	PIN JACK		
	C2423	QETN1HM-106Z	E CAPACITOR	10MF 20% 50V			J 403	QNN0403-001	PIN JACK		
	C2424	QETN1HM-106Z	E CAPACITOR	10MF 20% 50V			J 431	QND0090-001	S JACK		
	C2425	QETN1EM-476Z	E CAPACITOR	47MF 20% 25V			J 432	QND0029-001	DIN CONNECTOR		
	C2426	QETN1EM-476Z	E CAPACITOR	47MF 20% 25V			J 433	QND0029-001	DIN CONNECTOR		
	C2427	NCB31HK-223X	C CAPACITOR				J 434	QND0089-001	S JACK		
	C2428	NCB31HK-223X	C CAPACITOR				L 321	QQL231K-121Y	INDUCTOR		
	C2501	NCF21CZ-225X	C CAPACITOR				L 322	QQL231K-121Y	INDUCTOR		
	C2502	NCF21CZ-225X	C CAPACITOR				L 401	QQL231K-220Y	INDUCTOR		
	C2503	NCF21CZ-105X	C CAPACITOR				Q 201	KRA104M-T	D TRANSISTOR		
	C2504	NCF21CZ-105X	C CAPACITOR				Q 211	2SC3576-JVC-T	TRANSISTOR		
	D 240	1SS355-X	DIODE				Q 212	2SC3576-JVC-T	TRANSISTOR		
	D 351	1SS355-X	DIODE				Q 213	2SC3576-JVC-T	TRANSISTOR		
	D 401	1SS133-T2	SI DIODE				Q 214	2SC3576-JVC-T	TRANSISTOR		
	D 402	1SS133-T2	SI DIODE				Q 215	2SC3576-JVC-T	TRANSISTOR		
	D2311	1SS133-T2	SI DIODE				Q 216	2SC3576-JVC-T	TRANSISTOR		
	D2501	1SS355-X	DIODE				Q 217	2SC3576-JVC-T	TRANSISTOR		
	D2502	1SS355-X	DIODE				Q 218	2SC3576-JVC-T	TRANSISTOR		
	D2503	1SS355-X	DIODE				Q 219	2SC3576-JVC-T	TRANSISTOR		
	D2504	1SS355-X	DIODE				Q 240	KRC105M-T	D TRANSISTOR		
	D2505	1SS355-X	DIODE				Q 323	2SC3576-JVC-T	TRANSISTOR		
	D2506	1SS355-X	DIODE				Q 324	2SC3576-JVC-T	TRANSISTOR		
	D2507	1SS355-X	DIODE				Q 325	2SC3576-JVC-T	TRANSISTOR		
	D2508	1SS355-X	DIODE				Q 329	2SC3576-JVC-T	TRANSISTOR		
	FL301	QQR0590-001	FILTER				Q 330	2SC3576-JVC-T	TRANSISTOR		
	FL302	QQR0590-001	FILTER				Q 332	DTC114YKA-X	CHIP D TRANSISTOR		
	IC201	NJM4580E-W	IC				Q 334	DTC114YKA-X	CHIP D TRANSISTOR		
	IC202	TC9164AF-X	IC				Q 342	DTA114YKA-X	TRANSISTOR		
	IC204	NJM4580E-W	IC				Q 343	DTA114YKA-X	TRANSISTOR		
	IC211	TC9162AF-X	IC				Q 345	DTA114YKA-X	TRANSISTOR		
	IC213	TC9162AF-X	IC				Q 351	KRC105M-T	D TRANSISTOR		
	IC221	TC9459F-X	IC				Q 401	KTA1267/YG/-T	TRANSISTOR		
	IC222	TC9459F-X	IC				Q 402	KTA1267/YG/-T	TRANSISTOR		
	IC223	TC9459F-X	IC				Q 403	KRC110M-T	TRANSISTOR		
	IC224	TC9459F-X	IC				Q 404	KRC107M-T	D TRANSISTOR		
	IC241	NJM4580E-W	IC				Q 405	KTA1267/YG/-T	TRANSISTOR		
	IC242	NJM4580E-W	IC				Q 406	KTA1267/YG/-T	TRANSISTOR		
	IC251	NJM4580E-W	IC				Q 407	KTA1267/YG/-T	TRANSISTOR		
	IC252	NJM4580E-W	IC				Q 431	KTA1267/YG/-T	TRANSISTOR		
	IC253	NJM4580E-W	IC				Q 432	KTA1267/YG/-T	TRANSISTOR		
	IC254	NJM4580E-W	IC				Q 433	KTA1267/YG/-T	TRANSISTOR		
	IC271	NJM4580E-W	IC				Q 434	KTA1267/YG/-T	TRANSISTOR		
	IC272	NJM4580E-W	IC				Q 461	DTC114EKA-X	TRANSISTOR		
	IC273	NJM4580E-W	IC				Q 462	DTC114EKA-X	TRANSISTOR		
	IC281	NJM4580E-W	IC				Q 463	DTC114EKA-X	TRANSISTOR		
	IC282	NJM2903M-XE	IC				Q 464	KTC3199/GL/-T	TRANSISTOR		
	IC283	NJM78L05A-T	IC				Q 465	KTC3199/GL/-T	TRANSISTOR		
	IC311	SAA6588	IC				Q 466	KTC3199/GL/-T	TRANSISTOR		
	IC321	TC9163AF-X	IC				Q 467	KTA1267/YG/-T	TRANSISTOR		
	IC401	BA7625	IC				Q2501	KTC3199/GL/-T	TRANSISTOR		

■ Electrical parts list

(Audio/video input & output board)

Block No. 02

△	Item	Parts number	Parts name	Remarks	Area	△	Item	Parts number	Parts name	Remarks	Area
	R 201	NRSA63J-222X	MG RESISTOR				R 301	NRSA63J-103X	MG RESISTOR		
	R 202	NRSA63J-222X	MG RESISTOR				R 302	NRSA63J-103X	MG RESISTOR		
	R 203	NRSA63J-473X	MG RESISTOR				R 303	QRA14CF-1001Y	MF RESISTOR	10 1/4W	
	R 204	NRSA63J-473X	MG RESISTOR				R 304	QRA14CF-1001Y	MF RESISTOR	10 1/4W	
	R 205	NRSA63J-221X	MG RESISTOR				R 305	NRSA63J-103X	MG RESISTOR		
	R 206	NRSA63J-221X	MG RESISTOR				R 306	NRSA63J-103X	MG RESISTOR		
	R 207	NRSA63J-153X	MG RESISTOR				R 307	NRSA63J-102X	MG RESISTOR		
	R 208	NRSA63J-153X	MG RESISTOR				R 308	NRSA63J-474X	MG RESISTOR		
	R 209	NRSA63J-184X	MG RESISTOR				R 311	NRSA63J-102X	MG RESISTOR		
	R 210	NRSA63J-184X	MG RESISTOR				R 312	NRSA63J-102X	MG RESISTOR		
	R 211	NRSA63J-103X	MG RESISTOR				R 313	NRSA63J-102X	MG RESISTOR		
	R 212	NRSA63J-103X	MG RESISTOR				R 319	QRA14CF-1001Y	MF RESISTOR	10 1/4W	
	R 213	NRSA63J-104X	MG RESISTOR				R 320	NRSA63J-103X	MG RESISTOR		
	R 214	NRSA63J-104X	MG RESISTOR				R 321	NRSA63J-471X	MG RESISTOR		
	R 215	NRSA63J-101X	MG RESISTOR				R 322	NRSA63J-471X	MG RESISTOR		
	R 216	NRSA63J-101X	MG RESISTOR				R 323	NRSA63J-471X	MG RESISTOR		
△	R 217	QRJ146J-331X	UNF C RESISTOR	330 5% 1/4W			R 324	NRSA63J-471X	MG RESISTOR		
△	R 218	QRJ146J-331X	UNF C RESISTOR	330 5% 1/4W			R 325	NRSA63J-471X	MG RESISTOR		
△	R 231	QRZ9005-680X	F RESISTOR	68 1/4W			R 326	NRSA63J-471X	MG RESISTOR		
△	R 232	QRZ9005-680X	F RESISTOR	68 1/4W			R 327	NRSA63J-471X	MG RESISTOR		
△	R 237	QRZ9005-680X	F RESISTOR	68 1/4W			R 328	NRSA63J-471X	MG RESISTOR		
△	R 238	QRZ9005-680X	F RESISTOR	68 1/4W			R 329	NRSA63J-471X	MG RESISTOR		
△	R 240	QRZ9005-331X	F RESISTOR	330 1/4W			R 330	NRSA63J-471X	MG RESISTOR		
	R 241	NRSA63J-104X	MG RESISTOR				R 331	NRSA63J-471X	MG RESISTOR		
	R 242	NRSA63J-104X	MG RESISTOR				R 332	NRSA63J-471X	MG RESISTOR		
	R 243	NRSA63J-104X	MG RESISTOR				R 333	NRSA63J-471X	MG RESISTOR		
	R 244	NRSA63J-104X	MG RESISTOR				R 334	NRSA63J-471X	MG RESISTOR		
	R 245	NRSA63J-104X	MG RESISTOR				R 335	NRSA63J-471X	MG RESISTOR		
	R 246	NRSA63J-104X	MG RESISTOR				R 336	NRSA63J-471X	MG RESISTOR		
	R 247	QRA14CF-1001Y	MF RESISTOR	10 1/4W			R 337	NRSA63J-471X	MG RESISTOR		
	R 248	QRA14CF-1001Y	MF RESISTOR	10 1/4W			R 338	NRSA63J-471X	MG RESISTOR		
	R 249	QRA14CF-1001Y	MF RESISTOR	10 1/4W		△	R 339	QRZ9005-680X	F RESISTOR	68 1/4W	
	R 250	QRA14CF-1001Y	MF RESISTOR	10 1/4W		△	R 340	QRZ9005-680X	F RESISTOR	68 1/4W	
	R 251	NRSA63J-471X	MG RESISTOR				R 341	NRSA63J-471X	MG RESISTOR		
	R 252	NRSA63J-471X	MG RESISTOR				R 342	NRSA63J-471X	MG RESISTOR		
	R 253	NRSA63J-471X	MG RESISTOR				R 345	NRSA63J-471X	MG RESISTOR		
	R 254	NRSA63J-471X	MG RESISTOR				R 346	NRSA63J-471X	MG RESISTOR		
	R 255	NRSA63J-471X	MG RESISTOR				R 347	NRSA63J-103X	MG RESISTOR		
	R 256	NRSA63J-471X	MG RESISTOR				R 348	NRSA63J-103X	MG RESISTOR		
	R 257	NRSA63J-471X	MG RESISTOR				R 349	NRSA63J-471X	MG RESISTOR		
	R 258	NRSA63J-471X	MG RESISTOR				R 350	NRSA63J-103X	MG RESISTOR		
	R 259	NRSA63J-471X	MG RESISTOR				R 351	NRSA63J-471X	MG RESISTOR		
	R 260	NRSA63J-471X	MG RESISTOR				R 352	NRSA63J-471X	MG RESISTOR		
	R 261	NRSA63J-561X	MG RESISTOR				R 355	NRSA63J-471X	MG RESISTOR		
	R 262	NRSA63J-561X	MG RESISTOR				R 356	NRSA63J-471X	MG RESISTOR		
	R 263	NRSA63J-561X	MG RESISTOR				R 357	NRSA63J-103X	MG RESISTOR		
	R 264	NRSA63J-561X	MG RESISTOR				R 358	NRSA63J-103X	MG RESISTOR		
	R 265	NRSA63J-561X	MG RESISTOR				R 363	NRSA63J-102X	MG RESISTOR		
	R 266	NRSA63J-561X	MG RESISTOR				R 364	NRSA63J-474X	MG RESISTOR		
△	R 267	QRZ9005-680X	F RESISTOR	68 1/4W			R 365	NRSA63J-102X	MG RESISTOR		
△	R 268	QRZ9005-680X	F RESISTOR	68 1/4W			R 366	NRSA63J-474X	MG RESISTOR		
△	R 281	QRZ9005-680X	F RESISTOR	68 1/4W			R 369	NRSA63J-102X	MG RESISTOR		
△	R 282	QRZ9005-680X	F RESISTOR	68 1/4W			R 370	NRSA63J-474X	MG RESISTOR		
	R 291	QRA14CF-1001Y	MF RESISTOR	10 1/4W			R 399	NRSA63J-471X	MG RESISTOR		
	R 292	QRA14CF-1001Y	MF RESISTOR	10 1/4W			R 400	NRSA63J-471X	MG RESISTOR		
	R 293	NRSA63J-103X	MG RESISTOR				R 401	NRSA63J-750X	MG RESISTOR		
	R 294	NRSA63J-103X	MG RESISTOR				R 402	NRSA63J-750X	MG RESISTOR		
	R 295	QRA14CF-1001Y	MF RESISTOR	10 1/4W			R 403	NRSA63J-750X	MG RESISTOR		
	R 296	QRA14CF-1001Y	MF RESISTOR	10 1/4W			R 404	NRSA63J-750X	MG RESISTOR		
	R 297	NRSA63J-103X	MG RESISTOR				R 405	NRSA63J-750X	MG RESISTOR		
	R 298	NRSA63J-103X	MG RESISTOR				R 406	NRSA63J-750X	MG RESISTOR		
	R 299	QRA14CF-1001Y	MF RESISTOR	10 1/4W			R 407	NRSA63J-750X	MG RESISTOR		
	R 300	QRA14CF-1001Y	MF RESISTOR	10 1/4W			R 408	NRSA63J-331X	MG RESISTOR		

■ Electrical parts list
(Audio/video input & output board)

Block No. 02

△	Item	Parts number	Parts name	Remarks	Area
	R 409	NRSA63J-473X	MG RESISTOR		
	R 410	NRSA63J-331X	MG RESISTOR		
	R 411	NRSA63J-473X	MG RESISTOR		
	R 412	NRSA63J-331X	MG RESISTOR		
	R 413	NRSA63J-331X	MG RESISTOR		
	R 414	NRSA63J-473X	MG RESISTOR		
	R 415	NRSA63J-151X	MG RESISTOR		
	R 416	NRSA63J-151X	MG RESISTOR		
	R 417	NRSA63J-301X	MG RESISTOR		
	R 418	NRSA63J-103X	MG RESISTOR		
	R 419	NRSA63J-331X	MG RESISTOR		
	R 420	NRSA63J-101X	MG RESISTOR		
	R 421	NRSA63J-121X	MG RESISTOR		
	R 422	NRSA63J-151X	MG RESISTOR		
	R 423	NRSA63J-561X	MG RESISTOR		
	R 424	NRSA63J-561X	MG RESISTOR		
	R 425	NRSA63J-561X	MG RESISTOR		
△	R 426	QRJ146J-1R0X	UNF C RESISTOR	1.0 5% 1/4W	
	R 431	NRSA63J-750X	MG RESISTOR		
	R 432	NRSA63J-750X	MG RESISTOR		
	R 433	NRSA63J-750X	MG RESISTOR		
	R 434	NRSA63J-750X	MG RESISTOR		
	R 435	NRSA63J-473X	MG RESISTOR		
	R 436	NRSA63J-750X	MG RESISTOR		
	R 437	NRSA63J-750X	MG RESISTOR		
	R 438	NRSA63J-750X	MG RESISTOR		
	R 439	NRSA63J-750X	MG RESISTOR		
	R 440	NRSA63J-473X	MG RESISTOR		
	R 441	NRSA63J-750X	MG RESISTOR		
	R 442	NRSA63J-750X	MG RESISTOR		
	R 443	NRSA63J-750X	MG RESISTOR		
	R 444	NRSA63J-750X	MG RESISTOR		
	R 445	NRSA63J-750X	MG RESISTOR		
	R 446	NRSA63J-750X	MG RESISTOR		
	R 447	NRSA63J-473X	MG RESISTOR		
	R 448	NRSA63J-121X	MG RESISTOR		
	R 449	NRSA63J-121X	MG RESISTOR		
	R 450	NRSA63J-151X	MG RESISTOR		
	R 451	NRSA63J-151X	MG RESISTOR		
△	R 452	QRJ146J-6R8X	UNF C RESISTOR	6.8 5% 1/4W	
△	R 453	QRJ146J-2R2X	UNF C RESISTOR	2.2 5% 1/4W	
	R 461	NRSA63J-562X	MG RESISTOR		
	R 462	NRSA63J-562X	MG RESISTOR		
	R 463	NRSA63J-562X	MG RESISTOR		
	R 464	NRSA63J-562X	MG RESISTOR		
	R 465	NRSA63J-562X	MG RESISTOR		
	R 466	NRSA63J-223X	MG RESISTOR		
	R 467	NRSA63J-223X	MG RESISTOR		
	R 468	NRSA63J-223X	MG RESISTOR		
	R 469	NRSA63J-104X	MG RESISTOR		
	R 470	NRSA63J-334X	MG RESISTOR		
	R 471	NRSA63J-472X	MG RESISTOR		
	R 472	NRSA63J-472X	MG RESISTOR		
	R 473	NRSA63J-472X	MG RESISTOR		
	R 474	NRSA63J-103X	MG RESISTOR		
	R 475	NRSA63J-103X	MG RESISTOR		
	R 476	NRSA63J-103X	MG RESISTOR		
	RY240	QSK0125-001	RELAY		
	RY351	QSK0125-001	RELAY		
△	R1351	QRZ9005-331X	F RESISTOR	330 1/4W	
	R2051	NRSA63J-334X	MG RESISTOR		
	R2052	NRSA63J-334X	MG RESISTOR		
	R2053	NRSA63J-104X	MG RESISTOR		

△	Item	Parts number	Parts name	Remarks	Area
	R2054	NRSA63J-104X	MG RESISTOR		
	R2055	NRSA63J-104X	MG RESISTOR		
	R2056	NRSA63J-104X	MG RESISTOR		
△	R2057	QRZ9005-680X	F RESISTOR	68 1/4W	
△	R2058	QRZ9005-680X	F RESISTOR	68 1/4W	
	R2059	NRSA63J-334X	MG RESISTOR		
	R2060	NRSA63J-334X	MG RESISTOR		
	R2061	NRSA63J-104X	MG RESISTOR		
	R2062	NRSA63J-104X	MG RESISTOR		
	R2063	NRSA63J-104X	MG RESISTOR		
	R2064	NRSA63J-104X	MG RESISTOR		
△	R2065	QRZ9005-680X	F RESISTOR	68 1/4W	
△	R2066	QRZ9005-680X	F RESISTOR	68 1/4W	
	R2067	NRSA63J-334X	MG RESISTOR		
	R2068	NRSA63J-334X	MG RESISTOR		
	R2069	NRSA63J-104X	MG RESISTOR		
	R2070	NRSA63J-104X	MG RESISTOR		
	R2071	NRSA63J-104X	MG RESISTOR		
	R2072	NRSA63J-104X	MG RESISTOR		
△	R2073	QRZ9005-680X	F RESISTOR	68 1/4W	
△	R2074	QRZ9005-680X	F RESISTOR	68 1/4W	
	R2075	NRSA63J-334X	MG RESISTOR		
	R2076	NRSA63J-334X	MG RESISTOR		
	R2077	NRSA63J-104X	MG RESISTOR		
	R2078	NRSA63J-104X	MG RESISTOR		
	R2079	NRSA63J-104X	MG RESISTOR		
	R2080	NRSA63J-104X	MG RESISTOR		
△	R2081	QRZ9005-680X	F RESISTOR	68 1/4W	
△	R2082	QRZ9005-680X	F RESISTOR	68 1/4W	
	R2211	NRSA63J-102X	MG RESISTOR		
	R2212	NRSA63J-102X	MG RESISTOR		
	R2213	NRSA63J-102X	MG RESISTOR		
	R2214	NRSA63J-102X	MG RESISTOR		
	R2215	NRSA63J-102X	MG RESISTOR		
	R2216	NRSA63J-102X	MG RESISTOR		
	R2259	NRSA63J-333X	MG RESISTOR		
	R2260	NRSA63J-333X	MG RESISTOR		
	R2261	NRSA63J-333X	MG RESISTOR		
	R2262	NRSA63J-333X	MG RESISTOR		
	R2263	NRSA63J-333X	MG RESISTOR		
	R2264	NRSA63J-333X	MG RESISTOR		
	R2265	NRSA63J-333X	MG RESISTOR		
	R2266	NRSA63J-333X	MG RESISTOR		
	R2267	NRSA63J-333X	MG RESISTOR		
	R2268	NRSA63J-333X	MG RESISTOR		
	R2269	NRSA63J-102X	MG RESISTOR		
	R2270	NRSA63J-102X	MG RESISTOR		
	R2273	NRSA63J-102X	MG RESISTOR		
	R2274	NRSA63J-102X	MG RESISTOR		
△	R2275	QRZ9005-680X	F RESISTOR	68 1/4W	
△	R2276	QRZ9005-680X	F RESISTOR	68 1/4W	
	R2301	NRSA63J-682X	MG RESISTOR		
	R2302	NRSA63J-682X	MG RESISTOR		
	R2303	NRSA63J-102X	MG RESISTOR		
	R2304	NRSA63J-102X	MG RESISTOR		
	R2311	NRSA63J-102X	MG RESISTOR		
	R2312	NRSA63J-474X	MG RESISTOR		
	R2313	NRSA63J-103X	MG RESISTOR		
	R2314	NRSA63J-103X	MG RESISTOR		
	R2315	NRSA63J-102X	MG RESISTOR		
	R2316	NRSA63J-103X	MG RESISTOR		
	R2317	NRSA63J-103X	MG RESISTOR		
	R2351	QRA14CF-1001Y	MF RESISTOR	10 1/4W	

■ Electrical parts list
(Audio/video input & output board)

Block No. 02

△	Item	Parts number	Parts name	Remarks	Area
	R2352	QRA14CF-1001Y	MF RESISTOR	10 1/4W	
	R2353	QRA14CF-5101Y	MF RESISTOR	51 1/4W	
	R2354	QRA14CF-5101Y	MF RESISTOR	51 1/4W	
	R2355	QRA14CF-1001Y	MF RESISTOR	10 1/4W	
	R2356	QRA14CF-1001Y	MF RESISTOR	10 1/4W	
	R2357	QRA14CF-5101Y	MF RESISTOR	51 1/4W	
	R2358	QRA14CF-1802Y	MF RESISTOR	18 1/4W	
	R2359	QRA14CF-1001Y	MF RESISTOR	10 1/4W	
	R2360	QRA14CF-1001Y	MF RESISTOR	10 1/4W	
	R2361	QRA14CF-5101Y	MF RESISTOR	51 1/4W	
	R2362	QRA14CF-5101Y	MF RESISTOR	51 1/4W	
	R2363	QRA14CF-1001Y	MF RESISTOR	10 1/4W	
	R2364	QRA14CF-1001Y	MF RESISTOR	10 1/4W	
	R2365	QRA14CF-5101Y	MF RESISTOR	51 1/4W	
	R2366	QRA14CF-5101Y	MF RESISTOR	51 1/4W	
	R2401	NRSA63J-104X	MG RESISTOR		
	R2402	NRSA63J-104X	MG RESISTOR		
	R2403	NRSA63J-104X	MG RESISTOR		
	R2404	NRSA63J-104X	MG RESISTOR		
	R2405	NRSA63J-104X	MG RESISTOR		
	R2406	NRSA63J-104X	MG RESISTOR		
	R2411	NRSA63J-104X	MG RESISTOR		
	R2412	NRSA63J-104X	MG RESISTOR		
	R2413	NRSA63J-104X	MG RESISTOR		
	R2414	NRSA63J-104X	MG RESISTOR		
	R2415	NRSA63J-104X	MG RESISTOR		
	R2416	NRSA63J-104X	MG RESISTOR		
	R2421	NRSA63J-104X	MG RESISTOR		
	R2422	NRSA63J-104X	MG RESISTOR		
	R2423	NRSA63J-104X	MG RESISTOR		
	R2424	NRSA63J-104X	MG RESISTOR		
	R2425	NRSA63J-104X	MG RESISTOR		
	R2426	NRSA63J-104X	MG RESISTOR		
	R2501	NRSA63J-333X	MG RESISTOR		
	R2502	NRSA63J-333X	MG RESISTOR		
	R2503	NRSA63J-104X	MG RESISTOR		
	R2504	NRSA63J-104X	MG RESISTOR		
	R2505	NRSA63J-223X	MG RESISTOR		
	R2506	NRSA63J-223X	MG RESISTOR		
	R2507	NRSA63J-333X	MG RESISTOR		
	R2508	NRSA63J-333X	MG RESISTOR		
	R2509	NRSA63J-622X	MG RESISTOR		
	R2510	NRSA63J-102X	MG RESISTOR		
	R2511	NRSA63J-103X	MG RESISTOR		
	SP403	VYH7653-001	IC HOLDER		
	WR204	QJK016-031803	SIN CR C-B WIRE		
	WR307	QJP001-031001	SHI CR C-B WIRE		
	WR322	WJP0032-001A	E-SH C WIRE C-B		
	WR323	QJK016-111401	SIN CR C-B WIRE		
	WR324	WJK0130-001A	E-SI C WIRE C-B		
	X 311	QAX0263-001Z	CRYSTAL		
	X 401	QAX0261-001Z	CRYSTAL		

■ Electrical parts list (Power supply board)

Block No. 03

△	Item	Parts number	Parts name	Remarks	Area	△	Item	Parts number	Parts name	Remarks	Area
	C 1	QER61CM-107Z	E CAPACITOR	100MF 20% 16V			CN 66	QGA2001C1-02	2P PLUG ASSY		
△	C 21	QCZ9104-472	C CAPACITOR	4700PF			CN 67	QGA2001C1-02	2P PLUG ASSY		
	C 22	QFN32AK-472Z	M CAPACITOR	4700PF 10% 100V			D 1	1SS133-T2	SI DIODE		
	C 23	QETM1EM-228	E CAPACITOR	2200MF 20% 25V			D 2	1SS133-T2	SI DIODE		
	C 24	QCF31HZ-472Z	C CAPACITOR	4700PF +80:-20%			D 3	MTZJ4.7B-T2	ZENER DIODE		
	C 25	QETN1CM-477Z	E CAPACITOR	470MF 20% 16V			D 4	1SS133-T2	SI DIODE		
	C 41	QFVJ1HJ-104Z	MF CAPACITOR	0.1MF 5% 50V			D 5	1SS133-T2	SI DIODE		
	C 42	QETM1EM-478	E CAPACITOR	4700MF 20% 25V			D 6	1SS133-T2	SI DIODE		
	C 43	QCF31HZ-472Z	C CAPACITOR	4700PF +80:-20%			D 7	1SS133-T2	SI DIODE		
	C 44	QEHR1EM-107Z	E CAPACITOR	100MF 20% 25V		△	D 21	1SR35-400A-T5	DIODE		
	C 45	QCF31HZ-472Z	C CAPACITOR	4700PF +80:-20%		△	D 22	1SR35-400A-T5	DIODE		
	C 46	QEHR1EM-107Z	E CAPACITOR	100MF 20% 25V		△	D 23	1SR35-400A-T5	DIODE		
	C 47	QCF31HZ-472Z	C CAPACITOR	4700PF +80:-20%		△	D 24	1SR35-400A-T5	DIODE		
	C 48	QEHR1EM-107Z	E CAPACITOR	100MF 20% 25V			D 25	1SS133-T2	SI DIODE		
	C 49	QEHR1EM-107Z	E CAPACITOR	100MF 20% 25V			D 26	MTZJ6.2A-T2	ZENER DIODE		
	C 50	QCF31HZ-472Z	C CAPACITOR	4700PF +80:-20%		△	D 41	1GWJ42-T5	DIODE		
	C 51	QETN1JM-227Z	E CAPACITOR	220MF 20% 63V		△	D 42	1GWJ42-T5	DIODE		
	C 52	QETN1HM-226Z	E CAPACITOR	22MF 20% 50V		△	D 43	1GWJ42-T5	DIODE		
	C 53	QETN1HM-226Z	E CAPACITOR	22MF 20% 50V		△	D 44	1GWJ42-T5	DIODE		
	C 54	QETN1HM-105Z	E CAPACITOR	1.0MF 20% 50V			D 45	1SS133-T2	SI DIODE		
	C 55	QFN31HJ-473Z	M CAPACITOR	0.047MF 5% 50V			D 46	MTZJ6.2C-T2	ZENER DIODE		
	C 56	QFN31HJ-473Z	M CAPACITOR	0.047MF 5% 50V			D 47	1SS133-T2	SI DIODE		
	C 60	QEHC1EM-227Z	E CAPACITOR	220MF 20% 25V			D 48	MTZJ6.2C-T2	ZENER DIODE		
	C 61	QFN32AJ-104Z	M CAPACITOR	0.1MF 5% 100V			D 49	1SS133-T2	SI DIODE		
	C 62	QFN32AJ-104Z	M CAPACITOR	0.1MF 5% 100V			D 50	MTZJ6.2C-T2	ZENER DIODE		
	C 63	QFN32AJ-104Z	M CAPACITOR	0.1MF 5% 100V			D 51	1SS133-T2	SI DIODE		
	C 64	QFN32AJ-104Z	M CAPACITOR	0.1MF 5% 100V			D 52	MTZJ6.8C-T2	ZENER DIODE		
	C 65	QFN32AJ-104Z	M CAPACITOR	0.1MF 5% 100V		△	D 53	1SR35-400A-T5	DIODE		
	C 66	QETM1VM-228	E CAPACITOR	2200MF 20% 35V			D 55	MTZJ36C-T2	ZENER DIODE		
	C 67	QETM1VM-228	E CAPACITOR	2200MF 20% 35V			D 56	MTZJ8.2C-T2	ZENER DIODE		
	C 68	QCF31HZ-472Z	C CAPACITOR	4700PF +80:-20%		△	D 61	1SR35-400A-T5	DIODE		
	C 69	QEHC1EM-227Z	E CAPACITOR	220MF 20% 25V		△	D 62	1SR35-400A-T5	DIODE		
	C 70	QCF31HZ-472Z	C CAPACITOR	4700PF +80:-20%		△	D 63	1SR35-400A-T5	DIODE		
	C 71	QEHC1EM-107Z	E CAPACITOR	100MF 20% 25V		△	D 64	1SR35-400A-T5	DIODE		
	C 72	QCF31HZ-472Z	C CAPACITOR	4700PF +80:-20%			D 65	1SS133-T2	SI DIODE		
	C 73	QEHC1EM-227Z	E CAPACITOR	220MF 20% 25V			D 66	MTZJ15C-T2	ZENER DIODE		
	C 74	QETN1HM-475Z	E CAPACITOR	4.7MF 20% 50V			D 67	1SS133-T2	SI DIODE		
	C 75	QEHR1VM-107Z	E CAPACITOR	100MF 20% 35V			D 68	MTZJ13C-T2	ZENER DIODE		
	C 76	QCF31HZ-472Z	C CAPACITOR	4700PF +80:-20%			D 69	1SS133-T2	SI DIODE		
	C 81	QCBB1HK-331Y	C CAPACITOR	330PF 10% 50V			D 70	MTZJ15C-T2	ZENER DIODE		
	C 82	QCBB1HK-331Y	C CAPACITOR	330PF 10% 50V			D 71	1SS133-T2	SI DIODE		
	C 83	QCBB1HK-331Y	C CAPACITOR	330PF 10% 50V			D 72	1SS133-T2	SI DIODE		
	CN 1	QGF1205C1-16	CONNECTOR				D 73	MTZJ24C-T2	ZENER DIODE		
	CN 2	QGF1205C1-20	CONNECTOR				EP 22	QNZ0136-001Z	EARTH PLATE		
	CN 3	QGB2510J1-11	CONNECTOR				EP 61	QNZ0136-001Z	EARTH PLATE		
	CN 4	QGB2510J1-04	CONNECTOR				FC 21	QNG0020-001Z	FUSE CLIP	F21	
	CN 5	QGB2510J1-20	CONNECTOR				FC 22	QNG0020-001Z	FUSE CLIP	F21	
	CN 6	QGB1214J1-20S	CONNECTOR				FC 25	QNG0020-001Z	FUSE CLIP	F23	
	CN 7	QGB1214J1-16S	CONNECTOR				FC 26	QNG0020-001Z	FUSE CLIP	F23	
	CN 8	QGB2510J1-15	CONNECTOR				FC 41	QNG0020-001Z	FUSE CLIP	F41	
	CN 11	QGA2001C1-08	8P PLUG ASSY				FC 42	QNG0020-001Z	FUSE CLIP	F41	
	CN 15	QGB2510J1-07	CONNECTOR				FC 43	QNG0020-001Z	FUSE CLIP	F42	
	CN 16	QGA2001C1-11	11P PLUG ASSY				FC 44	QNG0020-001Z	FUSE CLIP	F42	
	CN 17	QGA2001C1-05	5P PLUG ASSY				FC 61	QNG0020-001Z	FUSE CLIP	F61	
	CN 25	QGA2001C1-07	7P PLUG ASSY				FC 62	QNG0020-001Z	FUSE CLIP	F61	
	CN 41	QGA7901C1-02	CONNECTOR				FC 63	QNG0020-001Z	FUSE CLIP	F62	
	CN 42	QGA2001F1-05	5P PLUG ASSY				FC 64	QNG0020-001Z	FUSE CLIP	F62	
	CN 43	QGA2001F1-08	CONNECTOR				HS 41	E70306-005	HEAT SINK		
	CN 45	QGA2001F1-06	6P PLUG ASSY				HS 42	E70306-005	HEAT SINK		
	CN 61	QGA7901C1-04	CONNECTOR				HS 61	E70306-001	HEAT SINK		
	CN 63	QGA2001C1-08	8P PLUG ASSY				HS 62	E70306-001	HEAT SINK		
	CN 64	QGA2001C1-03	3P PLUG ASSY				HS 63	E70306-001	HEAT SINK		
	CN 65	QGA2501C1-02	2P CONNECTOR				J 81	QNS0061-001	6.3 JACK		

■ Electrical parts list (power supply board) Block No. 03

△	Item	Parts number	Parts name	Remarks	Area
	K 2	QQR0779-001Z	INDUCTOR		
	K 4	QQR0779-001Z	INDUCTOR		
	PW 23	WJK0132-001A	E-SI C WIRE C-B		
	Q 1	2SC1740S/RS/-T	TRANSISTOR		
	Q 2	KRC102M-T	D TRANSISTOR		
	Q 21	KRC105M-T	D TRANSISTOR		
	Q 22	2SC2235/OY/-T	TRANSISTOR		
	Q 41	2SD2394/EF/	TRANSISTOR		
	Q 42	2SD2394/EF/	TRANSISTOR		
	Q 43	2SD2394/EF/	TRANSISTOR		
	Q 44	2SD2394/EF/	TRANSISTOR		
△	Q 45	2SB1357/EF/-T	TRANSISTOR		
	Q 46	KRC102M-T	D TRANSISTOR		
	Q 47	KRA104M-T	D TRANSISTOR		
	Q 48	KTC3200/GL/-T	TRANSISTOR		
	Q 49	KRA104M-T	D TRANSISTOR		
	Q 50	KRC102M-T	D TRANSISTOR		
	Q 51	KRA104M-T	D TRANSISTOR		
	Q 52	KRC102M-T	D TRANSISTOR		
	Q 53	KRA104M-T	D TRANSISTOR		
	Q 54	KRC102M-T	D TRANSISTOR		
	Q 55	KRC102M-T	D TRANSISTOR		
	Q 56	KRC102M-T	D TRANSISTOR		
	Q 61	2SD2394/EF/	TRANSISTOR		
	Q 62	2SD2394/EF/	TRANSISTOR		
	Q 63	KTA1046/Y/	TRANSISTOR		
	Q 64	2SD2394/EF/	TRANSISTOR		
	Q 65	KRC102M-T	D TRANSISTOR		
	Q 66	KRA104M-T	D TRANSISTOR		
	R 2	QRE141J-222Y	C RESISTOR	2.2K 5% 1/4W	
	R 3	QRE141J-473Y	C RESISTOR	47K 5% 1/4W	
	R 4	QRE141J-103Y	C RESISTOR	10K 5% 1/4W	
	R 5	QRE141J-103Y	C RESISTOR	10K 5% 1/4W	
△	R 22	QRZ9015-3R9X	F RESISTOR	3.9 1/4W	
	R 23	QRE141J-821Y	C RESISTOR	820 5% 1/4W	
	R 41	QRJ146J-1R0X	UNF C RESISTOR	1.0 5% 1/4W	
	R 42	QRJ146J-122X	UNF C RESISTOR	1.2K 5% 1/4W	
	R 43	QRJ146J-1R0X	UNF C RESISTOR	1.0 5% 1/4W	
	R 44	QRJ146J-122X	UNF C RESISTOR	1.2K 5% 1/4W	
	R 45	QRJ146J-1R0X	UNF C RESISTOR	1.0 5% 1/4W	
	R 46	QRJ146J-122X	UNF C RESISTOR	1.2K 5% 1/4W	
	R 47	QRJ146J-1R0X	UNF C RESISTOR	1.0 5% 1/4W	
	R 48	QRJ146J-122X	UNF C RESISTOR	1.2K 5% 1/4W	
△	R 49	QRT017J-2R2	MF RESISTOR	2.2 5% 1/1W	
△	R 50	QRT017J-2R2	MF RESISTOR	2.2 5% 1/1W	
△	R 51	QRJ146J-332X	UNF C RESISTOR	3.3K 5% 1/4W	
	R 52	QRE141J-223Y	C RESISTOR	22K 5% 1/4W	
	R 53	QRE141J-104Y	C RESISTOR	100K 5% 1/4W	
	R 54	QRE141J-103Y	C RESISTOR	10K 5% 1/4W	
	R 55	QRE141J-103Y	C RESISTOR	10K 5% 1/4W	
△	R 61	QRL027J-180	UNF MF RESISTOR	18 5% 1/2W	
	R 62	QRZ9006-6R8X	F RESISTOR	6.8 1/4W	
	R 63	QRJ146J-222X	UNF C RESISTOR	2.2K 5% 1/4W	
	R 64	QRZ9005-120X	F RESISTOR	12 1/4W	
	R 65	QRJ146J-272X	UNF C RESISTOR	2.7K 5% 1/4W	
△	R 66	QRL027J-270	UNF MF RESISTOR	27 5% 1/2W	
	R 67	QRZ9006-6R8X	F RESISTOR	6.8 1/4W	
	R 68	QRJ146J-222X	UNF C RESISTOR	2.2K 5% 1/4W	
	R 69	QRE141J-562Y	C RESISTOR	5.6K 5% 1/4W	
	R 70	QRE141J-822Y	C RESISTOR	8.2K 5% 1/4W	
	R 71	QRE141J-103Y	C RESISTOR	10K 5% 1/4W	
	R 72	QRZ9006-6R8X	F RESISTOR	6.8 1/4W	
	R 73	QRJ146J-103X	UNF C RESISTOR	10K 5% 1/4W	

△	Item	Parts number	Parts name	Remarks	Area
	R 74	QRZ9006-6R8X	F RESISTOR	6.8 1/4W	
	R 81	QRL027J-471	UNF OMF RESISTOR	470 5% 1/2W	
	R 82	QRL027J-471	UNF OMF RESISTOR	470 5% 1/2W	
△	RY 21	QSK0098-001	RELAY		
△	T 21	QQT0281-002	POWER TRANSF		
	TA 1	QNZ0079-001Z	TAB		
	TA 2	QNZ0079-001Z	TAB		
△	TH 41	QAD0095-4R7Z	POSISTOR		
	WR 12	QJK016-055600	SIN CR C-B WIRE		
	WR 13	QJK016-086003	SIN CR C-B WIRE		
	WR 14	QJK016-100700	SIN CR C-B WIRE		
	WR 26	QJK016-071502	SIN CR C-B WIRE		
	WR 44	QJK016-060901	SIN CR C-B WIRE		
	WR 81	WJK0131-001A	E-SI C WIRE C-B		
	WR 85	QJP001-033801	SHI CR C-B WIRE		
	WR 86	QJK016-022402	SIN CR C-B WIRE		

RX-DP10RSL

■ Electrical parts list
(Front & system control board)

Block No. 04

Item	Parts number	Parts name	Remarks	Area
BK961	LV42093-001A	FL HOLDER(L)		
BK962	LV42092-001A	FL HOLDER(R)		
C 471	QCSB1HJ-470Y	C CAPACITOR	47PF 5% 50V	
C 472	QCSB1HJ-470Y	C CAPACITOR	47PF 5% 50V	
C 473	QCSB1HJ-470Y	C CAPACITOR	47PF 5% 50V	
C 474	QDVB1EZ-223Y	C CAPACITOR		
C 475	QCBB1HK-331Y	C CAPACITOR	330PF 10% 50V	
C 476	QCBB1HK-331Y	C CAPACITOR	330PF 10% 50V	
C 478	QDVB1EZ-223Y	C CAPACITOR		
C 479	QFN31HJ-473Z	M CAPACITOR	0.047MF 5% 50V	
CN301	QGA2001F1-07	CONNECTOR		
CN963	QGF1205F1-16	CONNECTOR		
CN964	QGF1205F1-20	CONNECTOR		
CN969	QGA2001C1-09	9P PLUG ASSY		
CN971	QGA2001F1-02	2P CONNECTOR		
CN973	QGA2501F1-09	CONNECTOR		
CN975	QGA2001F1-02	2P CONNECTOR		
CN977	QGA2001F1-04	4P PLUG ASSY		
CN981	QGA2001F1-02	2P CONNECTOR		
CN982	QGF1005F1-04	4P PLUG ASSY		
CN983	QGA2001F1-10	10P PLUG ASSY		
CN985	QGA2001F1-06	6P PLUG ASSY		
C1001	QEKCOJM-107Z	E CAPACITOR	100MF 20% 6.3V	
C1002	QCZ0202-155Z	ML C CAPACITOR	1.5MF	
C1003	QEZ0361-479	E.D.L. CAPACITOR	47000MF	
C1004	QEKCIHM-225Z	E CAPACITOR	2.2MF 20% 50V	
C1005	QDVB1EZ-223Y	C CAPACITOR		
C1006	QEKCOJM-107Z	E CAPACITOR	100MF 20% 6.3V	
C1007	QCZ0202-155Z	ML C CAPACITOR	1.5MF	
C1011	QEKCIHM-475Z	E CAPACITOR	4.7MF 20% 50V	
C1012	QEKCIHM-475Z	E CAPACITOR	4.7MF 20% 50V	
C1013	QEKCIHM-475Z	E CAPACITOR	4.7MF 20% 50V	
C1021	QCBB1HK-331Y	C CAPACITOR	330PF 10% 50V	
C1025	QEKCOJM-107Z	E CAPACITOR	100MF 20% 6.3V	
C1034	QDVB1EZ-223Y	C CAPACITOR		
C1035	QEKCIHM-476Z	E CAPACITOR	47MF 20% 16V	
C1036	QEKCIHM-106Z	E CAPACITOR	10MF 20% 16V	
C1037	QCZ0202-155Z	ML C CAPACITOR	1.5MF	
C1038	QEKCIHM-476Z	E CAPACITOR	47MF 20% 16V	
C1041	NCB31HK-471X	C CAPACITOR		
C1042	NCB31HK-471X	C CAPACITOR		
C1043	NCB31HK-471X	C CAPACITOR		
C1044	NCB31HK-471X	C CAPACITOR		
C1045	NCB31HK-471X	C CAPACITOR		
C1046	NCB31HK-471X	C CAPACITOR		
C1047	NCB31HK-471X	C CAPACITOR		
C1059	NCF31CZ-104X	C CAPACITOR		
C1060	NCF31CZ-104X	C CAPACITOR		
C1061	QCBB1HK-101Y	C CAPACITOR	100PF 10% 50V	
C1211	NCB31HK-221X	C CAPACITOR		
C1212	NCB31HK-221X	C CAPACITOR		
C1213	NCB31HK-221X	C CAPACITOR		
DI961	QLF0087-001	FL TUBE		
D1001	1SR35-400A-T5	DIODE		
D1002	1SR35-400A-T5	DIODE		
D1003	1SR35-400A-T5	DIODE		
D1004	1SR35-400A-T5	DIODE		
D1005	1SS133-T2	SI DIODE		
D1024	1SS133-T2	SI DIODE		
D1031	SLR-342VC-T	LED		
D1034	SELU2E10C	LED		
FS961	E3400-444	FELT SPACER		
FS962	E3400-444	FELT SPACER		

Item	Parts number	Parts name	Remarks	Area
IC961	MN101C49GJR	IC		
IC962	MN101C35DHN	IC		
IC963	IC-PST9139-T	IC		
IC964	GP1U271X	RM RECIVER		
IC967	TA8409S	IC		
J 471	QND0026-001	S JACK		
JS961	QSW0867-001	ROTARY ENCODER		
J1211	QNS0073-001	JACK		
J1213	QNS0077-001	3.5 JACK		
K 472	QQR0779-001Z	INDUCTOR		
K1035	QQR1183-001Z	F BEADS		
Q1003	KRC107M-T	D TRANSISTOR		
Q1011	KRC107M-T	D TRANSISTOR		
Q1012	KRA107M-T	D TRANSISTOR		
Q1013	KRA107M-T	D TRANSISTOR		
Q1014	KRA107M-T	D TRANSISTOR		
Q1015	KRA107M-T	D TRANSISTOR		
Q1016	KRA107M-T	D TRANSISTOR		
Q1017	KRA107M-T	D TRANSISTOR		
Q1018	KRA107M-T	D TRANSISTOR		
Q1019	KRA107M-T	D TRANSISTOR		
Q1020	KRA107M-T	D TRANSISTOR		
Q1021	KRC111M-T	TRANSISTOR		
Q1022	KRC109M-T	D TRANSISTOR		
Q1031	KRA107M-T	D TRANSISTOR		
Q1034	KRA107M-T	D TRANSISTOR		
Q1035	KRC103M-T	TRANSISTOR		
R 471	QRE141J-750Y	C RESISTOR	75 5% 1/4W	
R 472	QRE141J-750Y	C RESISTOR	75 5% 1/4W	
R 473	QRE141J-750Y	C RESISTOR	75 5% 1/4W	
RA966	QRB169J-104	R NETWORK	100K 5% 1/6W	
R1003	QRE141J-331Y	C RESISTOR	330 5% 1/4W	
R1004	QRE141J-223Y	C RESISTOR	22K 5% 1/4W	
R1005	QRE141J-472Y	C RESISTOR	4.7K 5% 1/4W	
R1011	QRE141J-513Y	C RESISTOR	51K 5% 1/4W	
R1021	QRE141J-471Y	C RESISTOR	470 5% 1/4W	
R1022	QRE141J-103Y	C RESISTOR	10K 5% 1/4W	
R1024	QRE141J-223Y	C RESISTOR	22K 5% 1/4W	
R1025	QRE141J-103Y	C RESISTOR	10K 5% 1/4W	
R1030	QRE141J-103Y	C RESISTOR	10K 5% 1/4W	
R1031	QRE141J-221Y	C RESISTOR	220 5% 1/4W	
R1034	QRD161J-122	C RESISTOR	1.2K 5% 1/6W	
R1035	QRE141J-100Y	C RESISTOR	10 5% 1/4W	
R1036	QRE141J-100Y	C RESISTOR	10 5% 1/4W	
R1037	QRE141J-153Y	C RESISTOR	15K 5% 1/4W	
R1038	QRE141J-333Y	C RESISTOR	33K 5% 1/4W	
R1039	QRE141J-273Y	C RESISTOR	27K 5% 1/4W	
R1041	NRSA63J-103X	MG RESISTOR		
R1042	NRSA63J-103X	MG RESISTOR		
R1043	NRSA63J-103X	MG RESISTOR		
R1044	NRSA63J-103X	MG RESISTOR		
R1045	NRSA63J-103X	MG RESISTOR		
R1046	NRSA63J-103X	MG RESISTOR		
R1047	NRSA63J-103X	MG RESISTOR		
R1048	NRSA63J-103X	MG RESISTOR		
R1049	NRSA63J-103X	MG RESISTOR		
R1050	NRSA63J-103X	MG RESISTOR		
R1051	NRSA63J-102X	MG RESISTOR		
R1052	NRSA63J-102X	MG RESISTOR		
R1053	NRSA63J-122X	MG RESISTOR		
R1054	NRSA63J-152X	MG RESISTOR		
R1056	NRSA63J-102X	MG RESISTOR		
R1057	NRSA63J-102X	MG RESISTOR		

■ Electrical parts list
(Front & system control board)

Block No. 04

△	Item	Parts number	Parts name	Remarks	Area	△	Item	Parts number	Parts name	Remarks	Area
	R1059	NRSA63J-104X	MG RESISTOR				R1161	NRSA63J-221X	MG RESISTOR		
	R1060	NRSA63J-104X	MG RESISTOR				R1162	NRSA63J-221X	MG RESISTOR		
	R1061	NRSA63J-103X	MG RESISTOR				R1163	NRSA63J-221X	MG RESISTOR		
	R1062	NRSA63J-103X	MG RESISTOR				R1164	NRSA63J-221X	MG RESISTOR		
	R1063	NRSA63J-103X	MG RESISTOR				R1165	NRSA63J-221X	MG RESISTOR		
	R1064	NRSA63J-103X	MG RESISTOR				R1166	NRSA63J-221X	MG RESISTOR		
	R1065	NRSA63J-103X	MG RESISTOR				R1167	NRSA63J-221X	MG RESISTOR		
	R1066	NRSA63J-103X	MG RESISTOR				R1168	NRSA63J-221X	MG RESISTOR		
	R1067	NRSA63J-103X	MG RESISTOR				R1169	NRSA63J-221X	MG RESISTOR		
	R1071	NRSA63J-221X	MG RESISTOR				R1170	NRSA63J-221X	MG RESISTOR		
	R1072	NRSA63J-221X	MG RESISTOR				R1171	NRSA63J-221X	MG RESISTOR		
	R1073	NRSA63J-221X	MG RESISTOR				R1172	NRSA63J-221X	MG RESISTOR		
	R1074	NRSA63J-221X	MG RESISTOR				R1173	NRSA63J-221X	MG RESISTOR		
	R1075	NRSA63J-221X	MG RESISTOR				R1174	NRSA63J-221X	MG RESISTOR		
	R1076	NRSA63J-221X	MG RESISTOR				R1175	NRSA63J-221X	MG RESISTOR		
	R1081	NRSA63J-103X	MG RESISTOR				R1176	NRSA63J-221X	MG RESISTOR		
	R1082	NRSA63J-103X	MG RESISTOR				R1177	NRSA63J-221X	MG RESISTOR		
	R1083	NRSA63J-103X	MG RESISTOR				R1178	NRSA63J-221X	MG RESISTOR		
	R1084	NRSA63J-474X	MG RESISTOR				R1179	NRSA63J-221X	MG RESISTOR		
	R1085	NRSA63J-103X	MG RESISTOR				R1180	NRSA63J-221X	MG RESISTOR		
	R1086	NRSA63J-103X	MG RESISTOR				R1181	NRSA63J-221X	MG RESISTOR		
	R1091	NRSA63J-221X	MG RESISTOR				R1182	NRSA63J-221X	MG RESISTOR		
	R1092	NRSA63J-221X	MG RESISTOR				R1183	NRSA63J-221X	MG RESISTOR		
	R1093	NRSA63J-221X	MG RESISTOR				R1184	NRSA63J-221X	MG RESISTOR		
	R1094	NRSA63J-221X	MG RESISTOR				R1191	NRSA63J-221X	MG RESISTOR		
	R1095	NRSA63J-221X	MG RESISTOR				R1192	NRSA63J-221X	MG RESISTOR		
	R1096	NRSA63J-221X	MG RESISTOR				R1193	NRSA63J-221X	MG RESISTOR		
	R1097	NRSA63J-221X	MG RESISTOR				R1194	NRSA63J-221X	MG RESISTOR		
	R1098	NRSA63J-221X	MG RESISTOR				R1195	NRSA63J-221X	MG RESISTOR		
	R1099	NRSA63J-221X	MG RESISTOR				R1196	NRSA63J-221X	MG RESISTOR		
	R1101	NRSA63J-102X	MG RESISTOR				R1197	NRSA63J-221X	MG RESISTOR		
	R1102	NRSA63J-102X	MG RESISTOR				R1198	NRSA63J-221X	MG RESISTOR		
	R1103	NRSA63J-122X	MG RESISTOR				R1211	NRSA63J-221X	MG RESISTOR		
	R1104	NRSA63J-152X	MG RESISTOR				R1212	NRSA63J-471X	MG RESISTOR		
	R1105	NRSA63J-222X	MG RESISTOR				R1213	NRSA63J-221X	MG RESISTOR		
	R1106	NRSA63J-272X	MG RESISTOR				R1214	NRSA63J-101X	MG RESISTOR		
	R1107	NRSA63J-332X	MG RESISTOR				R1215	NRSA63J-221X	MG RESISTOR		
	R1122	NRSA63J-102X	MG RESISTOR				S1001	QSW0683-001Z	PUSH SWITCH	(SURROUND)	
	R1123	NRSA63J-102X	MG RESISTOR				S1002	QSW0683-001Z	PUSH SWITCH	(DSP MODE)	
	R1124	NRSA63J-122X	MG RESISTOR				S1003	QSW0683-001Z	PUSH SWITCH	(DIRECT)	
	R1125	NRSA63J-102X	MG RESISTOR				S1004	QSW0683-001Z	PUSH SWITCH	(THX)	
	R1126	NRSA63J-102X	MG RESISTOR				S1005	QSW0683-001Z	PUSH SWITCH	(SPK1)	
	R1127	NRSA63J-122X	MG RESISTOR				S1006	QSW0683-001Z	PUSH SWITCH	(SPK2)	
	R1128	NRSA63J-152X	MG RESISTOR				S1007	QSW0683-001Z	PUSH SWITCH	(SUBROOM CONT)	
	R1129	NRSA63J-222X	MG RESISTOR				S1024	QSW0683-001Z	PUSH SWITCH	(POWER)	
	R1130	NRSA63J-272X	MG RESISTOR				S1025	QSW0683-001Z	PUSH SWITCH	(DOWN)	
	R1131	NRSA63J-102X	MG RESISTOR				S1026	QSW0683-001Z	PUSH SWITCH	(LEFT)	
	R1132	NRSA63J-102X	MG RESISTOR				S1027	QSW0683-001Z	PUSH SWITCH	(SET)	
	R1133	NRSA63J-122X	MG RESISTOR				S1028	QSW0683-001Z	PUSH SWITCH	(SETUP)	
	R1134	NRSA63J-152X	MG RESISTOR				S1029	QSW0683-001Z	PUSH SWITCH	(FM MODE)	
	R1135	NRSA63J-222X	MG RESISTOR				S1030	QSW0683-001Z	PUSH SWITCH	(SOUND SEL)	
	R1141	NRSA63J-152X	MG RESISTOR				S1031	QSW0683-001Z	PUSH SWITCH	(UP)	
	R1142	NRSA63J-222X	MG RESISTOR				S1032	QSW0683-001Z	PUSH SWITCH	(RIGHT)	
	R1143	NRSA63J-272X	MG RESISTOR				S1033	QSW0683-001Z	PUSH SWITCH	(EXIT)	
	R1144	NRSA63J-332X	MG RESISTOR				S1034	QSW0683-001Z	PUSH SWITCH	(ADJUST)	
	R1151	NRSA63J-221X	MG RESISTOR				S1035	QSW0683-001Z	PUSH SWITCH	(INPUT MODE)	
	R1152	NRSA63J-221X	MG RESISTOR				S1041	QSW0683-001Z	PUSH SWITCH	(EX K2)	
	R1153	NRSA63J-221X	MG RESISTOR				S1042	QSW0683-001Z	PUSH SWITCH	(DIMMER)	
	R1154	NRSA63J-221X	MG RESISTOR				S1043	QSW0683-001Z	PUSH SWITCH	(DOOR OPEN)	
	R1155	NRSA63J-221X	MG RESISTOR				S1044	QSW0683-001Z	PUSH SWITCH	(DOOR CLOSE)	
	R1156	NRSA63J-221X	MG RESISTOR				S1051	QSW0851-001	DETECT SWITCH		
	R1157	NRSA63J-221X	MG RESISTOR				S1052	QSW0851-001	DETECT SWITCH		
	R1158	NRSA63J-221X	MG RESISTOR				WR961	QJK030-075002	SIN CR C-B WIRE		

RX-DP10VBK/RX-DP10VSL

RX-DP10RSL

■ Electrical parts list

(Front & system control board)

Block No. 04

△	Item	Parts number	Parts name	Remarks	Area
	WR962	QJK030-081803	SIN CR C-B WIRE		
	WR965	QJK016-092404	SIN CR C-B WIRE		
	WR966	QJK016-062401	SIN CR C-B WIRE		
	WR968	QJK016-094403	SIN CR C-B WIRE		
	WR970	QJK016-090802	SIN CR C-B WIRE		
	WR972	QJK016-021002	SIN CR C-B WIRE		
	WR977	QJK030-042404	SIN CR C-B WIRE		
	WR984	QJK016-101104	SIN CR C-B WIRE		
	WR986	QJK016-061102	SIN CR C-B WIRE		
	X1001	QAX0246-001Z	RESONATOR		
	X1002	QAX0246-001Z	RESONATOR		

■ Electrical parts list (DSP board)

Block No. 05

△	Item	Parts number	Parts name	Remarks	Area	△	Item	Parts number	Parts name	Remarks	Area
	CN 83	QGA3901C1-05	5P CONNECTOR				C3173	NCB31HK-103X	C CAPACITOR		
	CN 84	QGA3901C1-05	5P CONNECTOR				C3174	NCB31HK-103X	C CAPACITOR		
	CN631	QGA2001F1-03	CONNECTOR				C3175	NCB31HK-103X	C CAPACITOR		
	CN633	QGB2510K1-11	CONNECTOR				C3181	QETN1HM-106Z	E CAPACITOR	10MF 20% 50V	
	C3001	QETN1HM-475Z	E CAPACITOR	4.7MF 20% 50V			C3182	QETN1HM-106Z	E CAPACITOR	10MF 20% 50V	
	C3002	QETN1HM-475Z	E CAPACITOR	4.7MF 20% 50V			C3183	NCB30JK-105X	C CAPACITOR		
	C3003	NCB31HK-561X	C CAPACITOR				C3184	NCB30JK-105X	C CAPACITOR		
	C3004	NCB31HK-561X	C CAPACITOR				C3185	NCB31AK-224X	C CAPACITOR		
	C3005	NCS31HJ-680X	C CAPACITOR				C3186	NCB31HK-103X	C CAPACITOR		
	C3006	NCS31HJ-680X	C CAPACITOR				C3187	QETN1HM-106Z	E CAPACITOR	10MF 20% 50V	
	C3007	NCS31HJ-181X	C CAPACITOR				C3188	NCB30JK-105X	C CAPACITOR		
	C3008	NCS31HJ-181X	C CAPACITOR				C3189	NCB30JK-105X	C CAPACITOR		
	C3009	QETN1HM-106Z	E CAPACITOR	10MF 20% 50V			C3190	NCF31CZ-104X	C CAPACITOR		
	C3010	QETN1HM-106Z	E CAPACITOR	10MF 20% 50V			C3191	QETN1HM-106Z	E CAPACITOR	10MF 20% 50V	
	C3013	NCS31HJ-330X	C CAPACITOR				C3192	QETN1HM-106Z	E CAPACITOR	10MF 20% 50V	
	C3014	NCS31HJ-330X	C CAPACITOR				C3193	QETN1HM-474Z	E CAPACITOR	0.47MF 20% 50V	
	C3018	QETN1CM-476Z	E CAPACITOR	47MF 20% 16V			C3194	NCF31CZ-104X	C CAPACITOR		
	C3019	QETN1HM-106Z	E CAPACITOR	10MF 20% 50V			C3195	NCF31CZ-104X	C CAPACITOR		
	C3020	QETN1HM-106Z	E CAPACITOR	10MF 20% 50V			C3196	NCF31CZ-104X	C CAPACITOR		
	C3031	QETN1HM-106Z	E CAPACITOR	10MF 20% 50V			C3197	NEA70JM-107X	E CAPACITOR		
	C3032	QETN1HM-106Z	E CAPACITOR	10MF 20% 50V			C3198	NCF31CZ-104X	C CAPACITOR		
	C3033	NCB31CK-104X	C CAPACITOR				C3201	NCB31HK-182X	C CAPACITOR		
	C3034	NCB31CK-104X	C CAPACITOR				C3202	NCB31HK-182X	C CAPACITOR		
	C3035	NCB31AK-224X	C CAPACITOR				C3211	NCS31HJ-181X	C CAPACITOR		
	C3036	NCB31AK-224X	C CAPACITOR				C3212	NCS31HJ-181X	C CAPACITOR		
	C3037	QETN1HM-106Z	E CAPACITOR	10MF 20% 50V			C3215	NCB31CK-683X	C CAPACITOR		
	C3038	QETN1HM-106Z	E CAPACITOR	10MF 20% 50V			C3216	NCB31CK-683X	C CAPACITOR		
	C3039	NCS31HJ-101X	C CAPACITOR				C3217	QETN1HM-475Z	E CAPACITOR	4.7MF 20% 50V	
	C3040	NCS31HJ-101X	C CAPACITOR				C3218	QETN1HM-475Z	E CAPACITOR	4.7MF 20% 50V	
	C3041	NCS31HJ-100X	C CAPACITOR				C3221	NCB31HK-222X	C CAPACITOR		
	C3042	NCS31HJ-100X	C CAPACITOR				C3222	QETN1HM-474Z	E CAPACITOR	0.47MF 20% 50V	
	C3045	NCF31CZ-104X	C CAPACITOR				C3223	NCB31HK-122X	C CAPACITOR		
	C3046	NCF31CZ-104X	C CAPACITOR				C3225	NCB31HK-103X	C CAPACITOR		
	C3101	NCB31HK-182X	C CAPACITOR				C3226	NCB30JK-105X	C CAPACITOR		
	C3102	NCB31HK-182X	C CAPACITOR				C3229	QETN1HM-475Z	E CAPACITOR	4.7MF 20% 50V	
	C3111	NCS31HJ-181X	C CAPACITOR				C3230	QETN1HM-475Z	E CAPACITOR	4.7MF 20% 50V	
	C3112	NCS31HJ-181X	C CAPACITOR				C3237	QETN1HM-475Z	E CAPACITOR	4.7MF 20% 50V	
	C3115	NCB31CK-683X	C CAPACITOR				C3238	QETN1HM-475Z	E CAPACITOR	4.7MF 20% 50V	
	C3116	NCB31CK-683X	C CAPACITOR				C3239	NCB31HK-182X	C CAPACITOR		
	C3121	NCB31HK-103X	C CAPACITOR				C3240	NCB31HK-182X	C CAPACITOR		
	C3122	NCB31HK-103X	C CAPACITOR				C3251	QETN1HM-106Z	E CAPACITOR	10MF 20% 50V	
	C3125	NCB31HK-102X	C CAPACITOR				C3252	QETN1HM-106Z	E CAPACITOR	10MF 20% 50V	
	C3126	NCB31HK-102X	C CAPACITOR				C3253	QETN1HM-106Z	E CAPACITOR	10MF 20% 50V	
	C3129	QETN1HM-475Z	E CAPACITOR	4.7MF 20% 50V			C3254	QETN1HM-106Z	E CAPACITOR	10MF 20% 50V	
	C3130	QETN1HM-475Z	E CAPACITOR	4.7MF 20% 50V			C3255	QETN1HM-106Z	E CAPACITOR	10MF 20% 50V	
	C3137	QETN1HM-475Z	E CAPACITOR	4.7MF 20% 50V			C3256	QETN1HM-106Z	E CAPACITOR	10MF 20% 50V	
	C3138	QETN1HM-475Z	E CAPACITOR	4.7MF 20% 50V			C3261	NCF31CZ-104X	C CAPACITOR		
	C3139	NCB31HK-182X	C CAPACITOR				C3262	NCF31CZ-104X	C CAPACITOR		
	C3140	NCB31HK-182X	C CAPACITOR				C3263	NCS31HJ-330X	C CAPACITOR		
	C3141	QETN1HM-475Z	E CAPACITOR	4.7MF 20% 50V			C3264	QETN1HM-475Z	E CAPACITOR	4.7MF 20% 50V	
	C3142	QETN1HM-475Z	E CAPACITOR	4.7MF 20% 50V			C3266	NCB30JK-105X	C CAPACITOR		
	C3143	NCS31HJ-100X	C CAPACITOR				C3267	QETN1HM-224Z	E CAPACITOR	0.22MF 20% 50V	
	C3144	NCS31HJ-100X	C CAPACITOR				C3268	NCB31AK-474X	C CAPACITOR		
	C3145	NCF31CZ-104X	C CAPACITOR				C3271	NCS31HJ-101X	C CAPACITOR		
	C3146	NCF31CZ-104X	C CAPACITOR				C3272	NCB31HK-103X	C CAPACITOR		
	C3151	QETN1HM-106Z	E CAPACITOR	10MF 20% 50V			C3273	NCB31HK-103X	C CAPACITOR		
	C3152	QETN1HM-106Z	E CAPACITOR	10MF 20% 50V			C3274	NCB31HK-103X	C CAPACITOR		
	C3153	QETN1HM-106Z	E CAPACITOR	10MF 20% 50V			C3275	NCB31HK-103X	C CAPACITOR		
	C3154	QETN1HM-106Z	E CAPACITOR	10MF 20% 50V			C3281	QETN1HM-106Z	E CAPACITOR	10MF 20% 50V	
	C3155	NCF31CZ-104X	C CAPACITOR				C3282	QETN1HM-106Z	E CAPACITOR	10MF 20% 50V	
	C3156	NCF31CZ-104X	C CAPACITOR				C3283	NCB30JK-105X	C CAPACITOR		
	C3171	NCS31HJ-101X	C CAPACITOR				C3284	NCB30JK-105X	C CAPACITOR		
	C3172	NCB31HK-103X	C CAPACITOR				C3285	NCB31AK-224X	C CAPACITOR		

■ Electrical parts list (DSP board)

Block No. 05

△	Item	Parts number	Parts name	Remarks	Area	△	Item	Parts number	Parts name	Remarks	Area
	C3286	NCB31HK-103X	C CAPACITOR				C3424	NCB31HK-122X	C CAPACITOR		
	C3287	QETN1HM-106Z	E CAPACITOR	10MF 20% 50V			C3425	NCB31HK-103X	C CAPACITOR		
	C3288	NCB30JK-105X	C CAPACITOR				C3426	NCB31HK-103X	C CAPACITOR		
	C3289	NCB30JK-105X	C CAPACITOR				C3429	QETN1HM-475Z	E CAPACITOR	4.7MF 20% 50V	
	C3291	QETN1HM-475Z	E CAPACITOR	4.7MF 20% 50V			C3430	QETN1HM-475Z	E CAPACITOR	4.7MF 20% 50V	
	C3292	QETN1HM-475Z	E CAPACITOR	4.7MF 20% 50V			C3437	QETN1HM-475Z	E CAPACITOR	4.7MF 20% 50V	
	C3293	NCF31CZ-104X	C CAPACITOR				C3438	QETN1HM-475Z	E CAPACITOR	4.7MF 20% 50V	
	C3294	NCF31CZ-104X	C CAPACITOR				C3439	NCB31HK-182X	C CAPACITOR		
	C3297	NEA70JM-107X	E CAPACITOR				C3440	NCB31HK-182X	C CAPACITOR		
	C3298	NCF31CZ-104X	C CAPACITOR				C3451	QETN1HM-106Z	E CAPACITOR	10MF 20% 50V	
	C3301	NCB31HK-182X	C CAPACITOR				C3452	QETN1HM-106Z	E CAPACITOR	10MF 20% 50V	
	C3302	NCB31HK-182X	C CAPACITOR				C3453	QETN1HM-106Z	E CAPACITOR	10MF 20% 50V	
	C3311	NCS31HJ-181X	C CAPACITOR				C3454	QETN1HM-106Z	E CAPACITOR	10MF 20% 50V	
	C3312	NCS31HJ-181X	C CAPACITOR				C3455	QETN1HM-106Z	E CAPACITOR	10MF 20% 50V	
	C3315	NCB31CK-683X	C CAPACITOR				C3456	QETN1HM-106Z	E CAPACITOR	10MF 20% 50V	
	C3316	NCB31CK-683X	C CAPACITOR				C3471	NCS31HJ-101X	C CAPACITOR		
	C3317	QETN1HM-475Z	E CAPACITOR	4.7MF 20% 50V			C3472	NCB31HK-103X	C CAPACITOR		
	C3318	QETN1HM-475Z	E CAPACITOR	4.7MF 20% 50V			C3473	NCB31HK-103X	C CAPACITOR		
	C3321	NCB31HK-222X	C CAPACITOR				C3474	NCB31HK-103X	C CAPACITOR		
	C3322	NCB31HK-222X	C CAPACITOR				C3475	NCB31HK-103X	C CAPACITOR		
	C3323	NCB31HK-122X	C CAPACITOR				C3481	QETN1HM-106Z	E CAPACITOR	10MF 20% 50V	
	C3324	NCB31HK-122X	C CAPACITOR				C3482	QETN1HM-106Z	E CAPACITOR	10MF 20% 50V	
	C3325	NCB31HK-103X	C CAPACITOR				C3483	NCB30JK-105X	C CAPACITOR		
	C3326	NCB31HK-103X	C CAPACITOR				C3484	NCB30JK-105X	C CAPACITOR		
	C3329	QETN1HM-475Z	E CAPACITOR	4.7MF 20% 50V			C3485	NCB31AK-224X	C CAPACITOR		
	C3330	QETN1HM-475Z	E CAPACITOR	4.7MF 20% 50V			C3486	NCB31HK-103X	C CAPACITOR		
	C3337	QETN1HM-475Z	E CAPACITOR	4.7MF 20% 50V			C3487	QETN1HM-106Z	E CAPACITOR	10MF 20% 50V	
	C3338	QETN1HM-475Z	E CAPACITOR	4.7MF 20% 50V			C3488	NCB30JK-105X	C CAPACITOR		
	C3339	NCB31HK-182X	C CAPACITOR				C3489	NCB30JK-105X	C CAPACITOR		
	C3340	NCB31HK-182X	C CAPACITOR				C3497	NEA70JM-107X	E CAPACITOR		
	C3351	QETN1HM-106Z	E CAPACITOR	10MF 20% 50V			C3498	NCF31CZ-104X	C CAPACITOR		
	C3352	QETN1HM-106Z	E CAPACITOR	10MF 20% 50V			C3501	NCB31HK-103X	C CAPACITOR		
	C3353	QETN1HM-106Z	E CAPACITOR	10MF 20% 50V			C3502	NCB31HK-103X	C CAPACITOR		
	C3354	QETN1HM-106Z	E CAPACITOR	10MF 20% 50V			C3503	NCB31HK-103X	C CAPACITOR		
	C3355	QETN1HM-106Z	E CAPACITOR	10MF 20% 50V			C3504	NCB31HK-103X	C CAPACITOR		
	C3356	QETN1HM-106Z	E CAPACITOR	10MF 20% 50V			C3505	NCB31HK-103X	C CAPACITOR		
	C3371	NCS31HJ-101X	C CAPACITOR				C3506	NCB31HK-103X	C CAPACITOR		
	C3372	NCB31HK-103X	C CAPACITOR				C3507	NCB31HK-103X	C CAPACITOR		
	C3373	NCB31HK-103X	C CAPACITOR				C3508	NCB31HK-103X	C CAPACITOR		
	C3374	NCB31HK-103X	C CAPACITOR				C3509	NCB31HK-103X	C CAPACITOR		
	C3375	NCB31HK-103X	C CAPACITOR				C3510	NCB31HK-103X	C CAPACITOR		
	C3381	QETN1HM-106Z	E CAPACITOR	10MF 20% 50V			C3511	NCB31HK-103X	C CAPACITOR		
	C3382	QETN1HM-106Z	E CAPACITOR	10MF 20% 50V			C3512	NCB31HK-103X	C CAPACITOR		
	C3383	NCB30JK-105X	C CAPACITOR				C3513	NCB31HK-103X	C CAPACITOR		
	C3384	NCB30JK-105X	C CAPACITOR				C3514	NCB31HK-103X	C CAPACITOR		
	C3385	NCB31AK-224X	C CAPACITOR				C3515	NCB31HK-103X	C CAPACITOR		
	C3386	NCB31HK-103X	C CAPACITOR				C3516	NCB31HK-103X	C CAPACITOR		
	C3387	QETN1HM-106Z	E CAPACITOR	10MF 20% 50V			C3517	NCB31HK-103X	C CAPACITOR		
	C3388	NCB30JK-105X	C CAPACITOR				C3518	NCB31HK-103X	C CAPACITOR		
	C3389	NCB30JK-105X	C CAPACITOR				C3519	NCB31HK-103X	C CAPACITOR		
	C3397	NEA70JM-107X	E CAPACITOR				C3520	NCB31HK-103X	C CAPACITOR		
	C3398	NCF31CZ-104X	C CAPACITOR				C3521	NEA70JM-107X	E CAPACITOR		
	C3401	NCB31HK-182X	C CAPACITOR				C3523	NCF31CZ-104X	C CAPACITOR		
	C3402	NCB31HK-182X	C CAPACITOR				C3525	NCB31HK-123X	C CAPACITOR		
	C3411	NCS31HJ-181X	C CAPACITOR				C3601	NCB31HK-103X	C CAPACITOR		
	C3412	NCS31HJ-181X	C CAPACITOR				C3602	NCB31HK-103X	C CAPACITOR		
	C3415	NCB31CK-683X	C CAPACITOR				C3603	NCB31HK-103X	C CAPACITOR		
	C3416	NCB31CK-683X	C CAPACITOR				C3604	NCB31HK-103X	C CAPACITOR		
	C3417	QETN1HM-475Z	E CAPACITOR	4.7MF 20% 50V			C3605	NCB31HK-103X	C CAPACITOR		
	C3418	QETN1HM-475Z	E CAPACITOR	4.7MF 20% 50V			C3606	NCB31HK-103X	C CAPACITOR		
	C3421	NCB31HK-222X	C CAPACITOR				C3607	NCB31HK-103X	C CAPACITOR		
	C3422	NCB31HK-222X	C CAPACITOR				C3608	NCB31HK-103X	C CAPACITOR		
	C3423	NCB31HK-122X	C CAPACITOR				C3609	NCB31HK-103X	C CAPACITOR		

■ Electrical parts list (DSP board)

Block No. 05

△	Item	Parts number	Parts name	Remarks	Area	△	Item	Parts number	Parts name	Remarks	Area
	C3610	NCB31HK-103X	C CAPACITOR				C3991	QETN1AM-107Z	E CAPACITOR	100MF 20% 10V	
	C3611	NCB31HK-103X	C CAPACITOR				C3992	QETN1AM-107Z	E CAPACITOR	100MF 20% 10V	
	C3612	NCB31HK-103X	C CAPACITOR				C3993	QETN1AM-107Z	E CAPACITOR	100MF 20% 10V	
	C3613	NCB31HK-103X	C CAPACITOR				C3995	QETN1AM-227Z	E CAPACITOR	220MF 20% 10V	
	C3614	NCB31HK-103X	C CAPACITOR				C3996	QETN1AM-227Z	E CAPACITOR	220MF 20% 10V	
	C3615	NCB31HK-103X	C CAPACITOR				C3999	QETN1AM-477Z	E CAPACITOR	470MF 20% 10V	
	C3616	NCB31HK-103X	C CAPACITOR				C5001	NCB30JK-105X	C CAPACITOR		
	C3617	NCB31HK-103X	C CAPACITOR				C5002	NCB31AK-224X	C CAPACITOR		
	C3618	NCB31HK-103X	C CAPACITOR			△	D 745	F10P20F	DIODE		
	C3619	NCB31HK-103X	C CAPACITOR			△	D 746	F10P20FR	DIODE		
	C3620	NCB31HK-103X	C CAPACITOR			△	D 795	F10P20F	DIODE		
	C3621	NEA70JM-107X	E CAPACITOR			△	D 796	F10P20FR	DIODE		
	C3623	NCF31CZ-104X	C CAPACITOR			△	D 845	F10P20F	DIODE		
	C3625	NCB31HK-123X	C CAPACITOR			△	D 846	F10P20FR	DIODE		
	C3631	NEA71CM-106X	E CAPACITOR				D3191	MA3068/M/-X	ZENER DIODE		
	C3632	NCB31HK-103X	C CAPACITOR				D3192	MA3068/M/-X	ZENER DIODE		
	C3633	NEA71CM-106X	E CAPACITOR				D5001	UDZS5.1B-X	ZENER DIODE		
	C3634	NCB31HK-103X	C CAPACITOR				EP710	E409182-001SM	GRAND TERMINAL		
	C3635	NEA71CM-106X	E CAPACITOR				IC631	NJM4580E-W	IC		
	C3636	NCB31HK-103X	C CAPACITOR				IC632	NJM4580E-W	IC		
	C3637	NEA71CM-106X	E CAPACITOR				IC633	NJM4580E-W	IC		
	C3638	NCB31HK-103X	C CAPACITOR				IC634	MN35505-X	IC		
	C3701	NCS31HJ-101X	C CAPACITOR				IC635	JCV8006	IC		
	C3702	NEA71HM-105X	E CAPACITOR				IC636	NJM4580E-W	IC		
	C3703	NCF31CZ-104X	C CAPACITOR				IC637	NJM4580E-W	IC		
	C3704	NCF31CZ-104X	C CAPACITOR				IC638	NJM4580E-W	IC		
	C3705	NCF31CZ-104X	C CAPACITOR				IC639	MN35505-X	IC		
	C3706	NCF31CZ-104X	C CAPACITOR				IC640	JCV8006	IC		
	C3713	NCS31HJ-330X	C CAPACITOR				IC641	NJM4580E-W	IC		
	C3715	NCF31CZ-104X	C CAPACITOR				IC642	NJM4580E-W	IC		
	C3721	NEA71CM-106X	E CAPACITOR				IC643	NJM4580E-W	IC		
	C3722	NEA71CM-106X	E CAPACITOR				IC644	MN35505-X	IC		
	C3723	NCF31CZ-104X	C CAPACITOR				IC645	JCV8006	IC		
	C3724	NCF31CZ-104X	C CAPACITOR				IC646	NJM4580E-W	IC		
	C3725	NCS31HJ-101X	C CAPACITOR				IC647	NJM4580E-W	IC		
	C3735	NCF31CZ-104X	C CAPACITOR				IC648	NJM4580E-W	IC		
	C3801	NCF31CZ-104X	C CAPACITOR				IC649	MN35505-X	IC		
	C3802	NCF31CZ-104X	C CAPACITOR				IC650	JCV8006	IC		
	C3803	NEA70JM-107X	E CAPACITOR				IC652	NJM2121M-X	IC		
	C3804	NCF31CZ-104X	C CAPACITOR				IC653	M62446FP-X	IC		
	C3805	NCF31CZ-104X	C CAPACITOR				IC654	TC74HCT04AF-X	IC		
	C3806	NCF31CZ-104X	C CAPACITOR				IC655	NJM4580E-W	IC		
	C3807	NCF31CZ-104X	C CAPACITOR				IC656	NJM4580E-W	IC		
	C3808	NCF31CZ-104X	C CAPACITOR				IC657	AK5383VF-X	IC		
	C3811	NCF31CZ-104X	C CAPACITOR				IC658	TC7S04FU-X	IC		
	C3900	NCB30JK-105X	C CAPACITOR				IC659	TC7WH74FU-X	IC		
	C3901	NCB30JK-105X	C CAPACITOR				IC660	TC7S04FU-X	IC		
	C3902	NCB30JK-105X	C CAPACITOR				IC661	XCA56367PV150	IC		
	C3903	NCB30JK-105X	C CAPACITOR				IC666	XCA56367PV150	IC		
	C3905	NCB30JK-105X	C CAPACITOR				IC667	39VF0207CWHM03	IC		
	C3906	NCB30JK-105X	C CAPACITOR				IC668	W24L010AJ-12-X	IC		
	C3910	NCF31CZ-104X	C CAPACITOR				IC669	W24L010AJ-12-X	IC		
	C3911	NCF31CZ-104X	C CAPACITOR				IC670	W24L010AJ-12-X	IC		
	C3912	NCF31CZ-104X	C CAPACITOR				IC671	UPD784215AGC165	IC		
	C3913	NCF31CZ-104X	C CAPACITOR				IC672	TC7S04FU-X	IC		
	C3915	NCF31CZ-104X	C CAPACITOR				IC673	AK4112AVF-X	IC		
	C3916	NCF31CZ-104X	C CAPACITOR				IC674	TC7WH241FU-X	IC		
	C3919	NEA70JM-107X	E CAPACITOR				IC681	TC74VHC157FT-X	IC		
	C3921	NCS31HJ-101X	C CAPACITOR				IC682	TC74VHC157FT-X	IC		
	C3922	NCS31HJ-101X	C CAPACITOR				IC683	TC74VHC74FT-X	IC		
	C3923	NCF31CZ-104X	C CAPACITOR				IC684	TC7WH74FU-X	IC		
	C3924	NCF31CZ-104X	C CAPACITOR				IC685	TC7WH241FU-X	IC		
	C3990	QETN1AM-107Z	E CAPACITOR	100MF 20% 10V			IC686	NJM4580E-W	IC		

■ Electrical parts list (DSP board)

Block No. 05

△	Item	Parts number	Parts name	Remarks	Area	△	Item	Parts number	Parts name	Remarks	Area
	IC687	NJM4580E-W	IC				Q3307	2SD1328/ST/-X	TRANSISTOR		
	IC690	PQ20VZ11-X	IC				Q3308	2SD1328/ST/-X	TRANSISTOR		
	IC691	PQ3DZ53-X	IC				Q3361	2SC2412K/RS/-X	CHIP TRANSISTOR		
	IC692	PQ3DZ53-X	IC				Q3362	2SC2412K/RS/-X	CHIP TRANSISTOR		
	IC693	PQ3DZ53-X	IC				Q3363	DTA114YE-X	TRANSISTOR		
	IC695	PQ3DZ53-X	IC				Q3403	2SC2412K/RS/-X	CHIP TRANSISTOR		
	IC696	PQ3DZ53-X	IC				Q3404	2SC2412K/RS/-X	CHIP TRANSISTOR		
	IC998	NJM2903M-XE	IC				Q3407	2SD1328/ST/-X	TRANSISTOR		
	IC999	LM45CIM3-X	IC				Q3408	2SD1328/ST/-X	TRANSISTOR		
	J3701	QNN0404-001	PIN JACK				Q3461	2SC2412K/RS/-X	CHIP TRANSISTOR		
	K3181	NQR0229-001X	FERRITE BEADS				Q3462	2SC2412K/RS/-X	CHIP TRANSISTOR		
	K3182	NQR0229-001X	FERRITE BEADS				Q3463	DTA114YE-X	TRANSISTOR		
	K3183	NQR0229-001X	FERRITE BEADS				Q3921	DTC114YE-X	TRANSISTOR		
	K3184	NQR0229-001X	FERRITE BEADS				R1108	NRSA63J-102X	MG RESISTOR		
	K3281	NQR0229-001X	FERRITE BEADS				R1109	NRSA63J-102X	MG RESISTOR		
	K3282	NQR0229-001X	FERRITE BEADS				R1110	NRSA63J-122X	MG RESISTOR		
	K3283	NQR0229-001X	FERRITE BEADS				R1111	NRSA63J-152X	MG RESISTOR		
	K3284	NQR0229-001X	FERRITE BEADS				R1112	NRSA63J-222X	MG RESISTOR		
	K3381	NQR0229-001X	FERRITE BEADS				R1113	NRSA63J-272X	MG RESISTOR		
	K3382	NQR0229-001X	FERRITE BEADS				R1114	NRSA63J-332X	MG RESISTOR		
	K3383	NQR0229-001X	FERRITE BEADS				R1115	NRSA63J-102X	MG RESISTOR		
	K3384	NQR0229-001X	FERRITE BEADS				R1116	NRSA63J-102X	MG RESISTOR		
	K3481	NQR0229-001X	FERRITE BEADS				R1117	NRSA63J-122X	MG RESISTOR		
	K3482	NQR0229-001X	FERRITE BEADS				R1118	NRSA63J-152X	MG RESISTOR		
	K3483	NQR0229-001X	FERRITE BEADS				R1119	NRSA63J-222X	MG RESISTOR		
	K3484	NQR0229-001X	FERRITE BEADS				R1120	NRSA63J-272X	MG RESISTOR		
	K3701	NQR0269-004X	FERRITE BEADS				R1121	NRSA63J-332X	MG RESISTOR		
	K3702	NQR0269-004X	FERRITE BEADS				R3001	NRSA63J-104X	MG RESISTOR		
	K3703	QQR0779-001Z	INDUCTOR				R3002	NRSA63J-104X	MG RESISTOR		
	K3704	QQR0779-001Z	INDUCTOR				R3003	NRSA63J-103X	MG RESISTOR		
	LC635	NQR0450-001X	EMI FILTER				R3004	NRSA63J-103X	MG RESISTOR		
	LC640	NQR0450-001X	EMI FILTER				R3005	NRSA63J-103X	MG RESISTOR		
	LC645	NQR0450-001X	EMI FILTER				R3006	NRSA63J-103X	MG RESISTOR		
	LC650	NQR0450-001X	EMI FILTER				R3007	NRSA63J-103X	MG RESISTOR		
	LC661	NQR0450-001X	EMI FILTER				R3008	NRSA63J-103X	MG RESISTOR		
	LC666	NQR0450-001X	EMI FILTER				R3009	NRSA63J-103X	MG RESISTOR		
	LC667	NQR0450-001X	EMI FILTER				R3010	NRSA63J-103X	MG RESISTOR		
	LC668	NQR0450-001X	EMI FILTER				R3011	NRSA63J-273X	MG RESISTOR		
	LC669	NQR0450-001X	EMI FILTER				R3012	NRSA63J-273X	MG RESISTOR		
	LC670	NQR0450-001X	EMI FILTER				R3013	NRSA63J-273X	MG RESISTOR		
	LC671	NQR0450-001X	EMI FILTER				R3014	NRSA63J-273X	MG RESISTOR		
	LC673	NQR0450-001X	EMI FILTER				R3017	NRSA63J-472X	MG RESISTOR		
	LC691	NQR0450-001X	EMI FILTER				R3018	NRSA63J-472X	MG RESISTOR		
	LC692	NQR0450-001X	EMI FILTER				R3021	NRSA63J-1R0X	MG RESISTOR		
	Q3103	2SC2412K/RS/-X	CHIP TRANSISTOR				R3022	NRSA63J-1R0X	MG RESISTOR		
	Q3104	2SC2412K/RS/-X	CHIP TRANSISTOR				R3031	NRSA63J-103X	MG RESISTOR		
	Q3105	DTA114YE-X	TRANSISTOR				R3032	NRSA63J-103X	MG RESISTOR		
	Q3107	2SD1328/ST/-X	TRANSISTOR				R3033	NRSA63J-103X	MG RESISTOR		
	Q3108	2SD1328/ST/-X	TRANSISTOR				R3034	NRSA63J-103X	MG RESISTOR		
	Q3161	2SC2412K/RS/-X	CHIP TRANSISTOR				R3035	NRSA63J-103X	MG RESISTOR		
	Q3162	2SC2412K/RS/-X	CHIP TRANSISTOR				R3041	NRSA63J-221X	MG RESISTOR		
	Q3163	DTA114YE-X	TRANSISTOR				R3042	NRSA63J-221X	MG RESISTOR		
	Q3203	2SC2412K/RS/-X	CHIP TRANSISTOR				R3043	NRSA63J-221X	MG RESISTOR		
	Q3207	2SD1328/ST/-X	TRANSISTOR				R3044	NRSA63J-101X	MG RESISTOR		
	Q3208	2SD1328/ST/-X	TRANSISTOR				R3045	NRSA63J-105X	MG RESISTOR		
	Q3261	2SC2412K/RS/-X	CHIP TRANSISTOR				R3101	NRSA63J-243X	MG RESISTOR		
	Q3263	DTA114YE-X	TRANSISTOR				R3102	NRSA63J-243X	MG RESISTOR		
	Q3265	DTA114YE-X	TRANSISTOR				R3103	NRSA63J-243X	MG RESISTOR		
	Q3266	2SD1328/ST/-X	TRANSISTOR				R3104	NRSA63J-243X	MG RESISTOR		
	Q3291	DTC114YE-X	TRANSISTOR				R3105	NRSA63F-163X	MG RESISTOR		
	Q3301	DTA114YE-X	TRANSISTOR				R3106	NRSA63F-163X	MG RESISTOR		
	Q3303	2SC2412K/RS/-X	CHIP TRANSISTOR				R3107	NRSA63F-163X	MG RESISTOR		
	Q3304	2SC2412K/RS/-X	CHIP TRANSISTOR				R3108	NRSA63F-163X	MG RESISTOR		

■ Electrical parts list (DSP board)

Block No. 05

△	Item	Parts number	Parts name	Remarks	Area	△	Item	Parts number	Parts name	Remarks	Area
	R3109	NRSA63J-362X	MG RESISTOR				R3187	NRSA63J-561X	MG RESISTOR		
	R3110	NRSA63J-362X	MG RESISTOR				R3188	NRSA63J-221X	MG RESISTOR		
	R3111	NRSA63J-163X	MG RESISTOR				R3189	NRSA63J-221X	MG RESISTOR		
	R3112	NRSA63J-163X	MG RESISTOR				R3190	NRSA63J-221X	MG RESISTOR		
	R3113	NRSA63J-162X	MG RESISTOR				R3191	QRJ146J-271X	UNF C RESISTOR	270 5% 1/4W	
	R3114	NRSA63J-162X	MG RESISTOR				R3192	QRJ146J-271X	UNF C RESISTOR	270 5% 1/4W	
	R3115	NRSA63J-182X	MG RESISTOR				R3193	NRSA63J-561X	MG RESISTOR		
	R3116	NRSA63J-182X	MG RESISTOR				R3194	NRSA63J-561X	MG RESISTOR		
	R3117	NRSA63J-183X	MG RESISTOR				R3201	NRSA63J-243X	MG RESISTOR		
	R3118	NRSA63J-183X	MG RESISTOR				R3202	NRSA63J-243X	MG RESISTOR		
	R3121	NRSA63J-561X	MG RESISTOR				R3203	NRSA63J-243X	MG RESISTOR		
	R3122	NRSA63J-561X	MG RESISTOR				R3204	NRSA63J-243X	MG RESISTOR		
	R3123	NRSA63J-561X	MG RESISTOR				R3205	NRSA63F-163X	MG RESISTOR		
	R3124	NRSA63J-561X	MG RESISTOR				R3206	NRSA63F-163X	MG RESISTOR		
	R3125	NRSA63J-561X	MG RESISTOR				R3207	NRSA63F-163X	MG RESISTOR		
	R3126	NRSA63J-561X	MG RESISTOR				R3208	NRSA63F-163X	MG RESISTOR		
	R3127	NRSA63J-105X	MG RESISTOR				R3209	NRSA63J-362X	MG RESISTOR		
	R3128	NRSA63J-105X	MG RESISTOR				R3210	NRSA63J-362X	MG RESISTOR		
	R3129	NRSA63J-473X	MG RESISTOR				R3211	NRSA63J-163X	MG RESISTOR		
	R3130	NRSA63J-473X	MG RESISTOR				R3212	NRSA63J-163X	MG RESISTOR		
	R3131	NRSA63J-222X	MG RESISTOR				R3213	NRSA63J-162X	MG RESISTOR		
	R3132	NRSA63J-222X	MG RESISTOR				R3214	NRSA63J-162X	MG RESISTOR		
	R3133	NRSA63J-222X	MG RESISTOR				R3215	NRSA63J-182X	MG RESISTOR		
	R3134	NRSA63J-222X	MG RESISTOR				R3216	NRSA63J-182X	MG RESISTOR		
	R3135	NRSA63J-183X	MG RESISTOR				R3217	NRSA63J-183X	MG RESISTOR		
	R3136	NRSA63J-183X	MG RESISTOR				R3221	NRSA63J-561X	MG RESISTOR		
	R3137	NRSA63J-104X	MG RESISTOR				R3222	NRSA63J-202X	MG RESISTOR		
	R3138	NRSA63J-104X	MG RESISTOR				R3223	NRSA63J-471X	MG RESISTOR		
	R3139	NRSA63J-561X	MG RESISTOR				R3224	NRSA63J-202X	MG RESISTOR		
	R3140	NRSA63J-561X	MG RESISTOR				R3225	NRSA63J-821X	MG RESISTOR		
	R3141	NRSA63J-101X	MG RESISTOR				R3226	NRSA63J-1R0X	MG RESISTOR		
	R3142	NRSA63J-101X	MG RESISTOR				R3227	NRSA63J-105X	MG RESISTOR		
	R3143	NRSA63J-104X	MG RESISTOR				R3229	NRSA63J-473X	MG RESISTOR		
	R3144	NRSA63J-104X	MG RESISTOR				R3230	NRSA63J-473X	MG RESISTOR		
	R3145	NRSA63J-333X	MG RESISTOR				R3231	NRSA63J-393X	MG RESISTOR		
	R3146	NRSA63J-333X	MG RESISTOR				R3232	NRSA63J-133X	MG RESISTOR		
	R3147	NRSA63J-333X	MG RESISTOR				R3233	NRSA63J-113X	MG RESISTOR		
	R3148	NRSA63J-333X	MG RESISTOR				R3234	NRSA63J-242X	MG RESISTOR		
	R3149	NRSA63J-333X	MG RESISTOR				R3235	NRSA63J-183X	MG RESISTOR		
	R3150	NRSA63J-333X	MG RESISTOR				R3236	NRSA63J-183X	MG RESISTOR		
	R3151	NRSA63J-472X	MG RESISTOR				R3237	NRSA63J-104X	MG RESISTOR		
	R3152	NRSA63J-472X	MG RESISTOR				R3238	NRSA63J-104X	MG RESISTOR		
	R3155	NRSA63J-474X	MG RESISTOR				R3239	NRSA63J-561X	MG RESISTOR		
	R3157	NRSA63J-332X	MG RESISTOR				R3240	NRSA63J-561X	MG RESISTOR		
	R3158	NRSA63J-332X	MG RESISTOR				R3241	NRSA63J-101X	MG RESISTOR		
	R3161	NRSA63J-103X	MG RESISTOR				R3242	NRSA63J-101X	MG RESISTOR		
	R3162	NRSA63J-103X	MG RESISTOR				R3251	NRSA63J-472X	MG RESISTOR		
	R3163	NRSA63J-105X	MG RESISTOR				R3255	NRSA63J-202X	MG RESISTOR		
	R3164	NRSA63J-105X	MG RESISTOR				R3256	NRSA63J-202X	MG RESISTOR		
	R3165	NRSA63J-105X	MG RESISTOR				R3257	NRSA63J-332X	MG RESISTOR		
	R3171	NRSA63J-221X	MG RESISTOR				R3258	NRSA63J-332X	MG RESISTOR		
	R3172	NRSA63J-221X	MG RESISTOR				R3261	NRSA63J-103X	MG RESISTOR		
	R3173	NRSA63J-221X	MG RESISTOR				R3262	NRSA63J-474X	MG RESISTOR		
	R3174	NRSA63J-221X	MG RESISTOR				R3263	NRSA63J-912X	MG RESISTOR		
	R3175	NRSA63J-101X	MG RESISTOR				R3264	NRSA63J-472X	MG RESISTOR		
	R3176	NRSA63J-470X	MG RESISTOR				R3265	NRSA63J-105X	MG RESISTOR		
	R3177	NRSA63J-470X	MG RESISTOR				R3266	NRSA63J-243X	MG RESISTOR		
	R3181	NRSA63J-101X	MG RESISTOR				R3267	NRSA63J-103X	MG RESISTOR		
	R3182	NRSA63J-101X	MG RESISTOR				R3268	NRSA63J-102X	MG RESISTOR		
	R3183	NRSA63J-101X	MG RESISTOR				R3269	NRSA63J-104X	MG RESISTOR		
	R3184	NRSA63J-101X	MG RESISTOR				R3271	NRSA63J-221X	MG RESISTOR		
	R3185	NRSA63J-332X	MG RESISTOR				R3272	NRSA63J-221X	MG RESISTOR		
	R3186	NRSA63J-561X	MG RESISTOR				R3273	NRSA63J-221X	MG RESISTOR		

■ Electrical parts list (DSP board)

Block No. 05

△	Item	Parts number	Parts name	Remarks	Area	△	Item	Parts number	Parts name	Remarks	Area
	R3274	NRSA63J-221X	MG RESISTOR				R3352	NRSA63J-472X	MG RESISTOR		
	R3275	NRSA63J-101X	MG RESISTOR				R3353	NRSA63J-474X	MG RESISTOR		
	R3276	NRSA63J-470X	MG RESISTOR				R3357	NRSA63J-332X	MG RESISTOR		
	R3277	NRSA63J-470X	MG RESISTOR				R3358	NRSA63J-332X	MG RESISTOR		
	R3281	NRSA63J-101X	MG RESISTOR				R3361	NRSA63J-103X	MG RESISTOR		
	R3282	NRSA63J-101X	MG RESISTOR				R3362	NRSA63J-103X	MG RESISTOR		
	R3283	NRSA63J-101X	MG RESISTOR				R3363	NRSA63J-752X	MG RESISTOR		
	R3284	NRSA63J-101X	MG RESISTOR				R3364	NRSA63J-752X	MG RESISTOR		
	R3285	NRSA63J-332X	MG RESISTOR				R3365	NRSA63J-105X	MG RESISTOR		
	R3286	NRSA63J-561X	MG RESISTOR				R3371	NRSA63J-221X	MG RESISTOR		
	R3287	NRSA63J-561X	MG RESISTOR				R3372	NRSA63J-221X	MG RESISTOR		
	R3288	NRSA63J-221X	MG RESISTOR				R3373	NRSA63J-221X	MG RESISTOR		
	R3289	NRSA63J-221X	MG RESISTOR				R3374	NRSA63J-221X	MG RESISTOR		
	R3290	NRSA63J-221X	MG RESISTOR				R3375	NRSA63J-101X	MG RESISTOR		
	R3291	NRSA63J-333X	MG RESISTOR				R3376	NRSA63J-470X	MG RESISTOR		
	R3292	NRSA63J-333X	MG RESISTOR				R3377	NRSA63J-470X	MG RESISTOR		
	R3293	NRSA63J-243X	MG RESISTOR				R3381	NRSA63J-101X	MG RESISTOR		
	R3294	NRSA63J-104X	MG RESISTOR				R3382	NRSA63J-101X	MG RESISTOR		
	R3295	NRSA63J-102X	MG RESISTOR				R3383	NRSA63J-101X	MG RESISTOR		
	R3296	NRSA63J-102X	MG RESISTOR				R3384	NRSA63J-101X	MG RESISTOR		
	R3297	NRSA63J-473X	MG RESISTOR				R3385	NRSA63J-332X	MG RESISTOR		
	R3298	NRSA63J-473X	MG RESISTOR				R3386	NRSA63J-561X	MG RESISTOR		
	R3301	NRSA63J-243X	MG RESISTOR				R3387	NRSA63J-561X	MG RESISTOR		
	R3302	NRSA63J-243X	MG RESISTOR				R3388	NRSA63J-221X	MG RESISTOR		
	R3303	NRSA63J-243X	MG RESISTOR				R3389	NRSA63J-221X	MG RESISTOR		
	R3304	NRSA63J-243X	MG RESISTOR				R3390	NRSA63J-221X	MG RESISTOR		
	R3305	NRSA63F-163X	MG RESISTOR				R3401	NRSA63J-243X	MG RESISTOR		
	R3306	NRSA63F-163X	MG RESISTOR				R3402	NRSA63J-243X	MG RESISTOR		
	R3307	NRSA63F-163X	MG RESISTOR				R3403	NRSA63J-243X	MG RESISTOR		
	R3308	NRSA63F-163X	MG RESISTOR				R3404	NRSA63J-243X	MG RESISTOR		
	R3309	NRSA63J-362X	MG RESISTOR				R3405	NRSA63F-163X	MG RESISTOR		
	R3310	NRSA63J-362X	MG RESISTOR				R3406	NRSA63F-163X	MG RESISTOR		
	R3311	NRSA63J-163X	MG RESISTOR				R3407	NRSA63F-163X	MG RESISTOR		
	R3312	NRSA63J-163X	MG RESISTOR				R3408	NRSA63F-163X	MG RESISTOR		
	R3313	NRSA63J-162X	MG RESISTOR				R3409	NRSA63J-362X	MG RESISTOR		
	R3314	NRSA63J-162X	MG RESISTOR				R3410	NRSA63J-362X	MG RESISTOR		
	R3315	NRSA63J-182X	MG RESISTOR				R3411	NRSA63J-163X	MG RESISTOR		
	R3316	NRSA63J-182X	MG RESISTOR				R3412	NRSA63J-163X	MG RESISTOR		
	R3317	NRSA63J-183X	MG RESISTOR				R3413	NRSA63J-162X	MG RESISTOR		
	R3318	NRSA63J-183X	MG RESISTOR				R3414	NRSA63J-162X	MG RESISTOR		
	R3321	NRSA63J-561X	MG RESISTOR				R3415	NRSA63J-182X	MG RESISTOR		
	R3322	NRSA63J-561X	MG RESISTOR				R3416	NRSA63J-182X	MG RESISTOR		
	R3323	NRSA63J-471X	MG RESISTOR				R3417	NRSA63J-183X	MG RESISTOR		
	R3324	NRSA63J-471X	MG RESISTOR				R3418	NRSA63J-183X	MG RESISTOR		
	R3325	NRSA63J-821X	MG RESISTOR				R3421	NRSA63J-561X	MG RESISTOR		
	R3326	NRSA63J-821X	MG RESISTOR				R3422	NRSA63J-561X	MG RESISTOR		
	R3327	NRSA63J-105X	MG RESISTOR				R3423	NRSA63J-471X	MG RESISTOR		
	R3328	NRSA63J-105X	MG RESISTOR				R3424	NRSA63J-471X	MG RESISTOR		
	R3329	NRSA63J-473X	MG RESISTOR				R3425	NRSA63J-821X	MG RESISTOR		
	R3330	NRSA63J-473X	MG RESISTOR				R3426	NRSA63J-821X	MG RESISTOR		
	R3331	NRSA63J-243X	MG RESISTOR				R3427	NRSA63J-105X	MG RESISTOR		
	R3332	NRSA63J-243X	MG RESISTOR				R3428	NRSA63J-105X	MG RESISTOR		
	R3333	NRSA63J-113X	MG RESISTOR				R3429	NRSA63J-473X	MG RESISTOR		
	R3334	NRSA63J-113X	MG RESISTOR				R3430	NRSA63J-473X	MG RESISTOR		
	R3335	NRSA63J-183X	MG RESISTOR				R3431	NRSA63J-243X	MG RESISTOR		
	R3336	NRSA63J-183X	MG RESISTOR				R3432	NRSA63J-243X	MG RESISTOR		
	R3337	NRSA63J-104X	MG RESISTOR				R3433	NRSA63J-113X	MG RESISTOR		
	R3338	NRSA63J-104X	MG RESISTOR				R3434	NRSA63J-113X	MG RESISTOR		
	R3339	NRSA63J-561X	MG RESISTOR				R3435	NRSA63J-183X	MG RESISTOR		
	R3340	NRSA63J-561X	MG RESISTOR				R3436	NRSA63J-183X	MG RESISTOR		
	R3341	NRSA63J-101X	MG RESISTOR				R3437	NRSA63J-104X	MG RESISTOR		
	R3342	NRSA63J-101X	MG RESISTOR				R3438	NRSA63J-104X	MG RESISTOR		
	R3351	NRSA63J-472X	MG RESISTOR				R3439	NRSA63J-561X	MG RESISTOR		

■ Electrical parts list (DSP board)

Block No. 05

△	Item	Parts number	Parts name	Remarks	Area	△	Item	Parts number	Parts name	Remarks	Area
	R3440	NRSA63J-561X	MG RESISTOR				R3608	NRSA63J-473X	MG RESISTOR		
	R3441	NRSA63J-101X	MG RESISTOR				R3609	NRSA63J-473X	MG RESISTOR		
	R3442	NRSA63J-101X	MG RESISTOR				R3610	NRSA63J-473X	MG RESISTOR		
	R3451	NRSA63J-472X	MG RESISTOR				R3611	NRSA63J-473X	MG RESISTOR		
	R3452	NRSA63J-472X	MG RESISTOR				R3612	NRSA63J-473X	MG RESISTOR		
	R3457	NRSA63J-332X	MG RESISTOR				R3613	NRSA63J-473X	MG RESISTOR		
	R3458	NRSA63J-332X	MG RESISTOR				R3614	NRSA63J-473X	MG RESISTOR		
	R3461	NRSA63J-103X	MG RESISTOR				R3615	NRSA63J-473X	MG RESISTOR		
	R3462	NRSA63J-103X	MG RESISTOR				R3616	NRSA63J-473X	MG RESISTOR		
	R3463	NRSA63J-752X	MG RESISTOR				R3617	NRSA63J-473X	MG RESISTOR		
	R3464	NRSA63J-752X	MG RESISTOR				R3618	NRSA63J-473X	MG RESISTOR		
	R3465	NRSA63J-105X	MG RESISTOR				R3620	NRSA63J-101X	MG RESISTOR		
	R3471	NRSA63J-221X	MG RESISTOR				R3621	NRSA63J-103X	MG RESISTOR		
	R3472	NRSA63J-221X	MG RESISTOR				R3622	NRSA63J-103X	MG RESISTOR		
	R3473	NRSA63J-221X	MG RESISTOR				R3623	NRSA63J-103X	MG RESISTOR		
	R3474	NRSA63J-221X	MG RESISTOR				R3624	NRSA63J-103X	MG RESISTOR		
	R3475	NRSA63J-101X	MG RESISTOR				R3626	NRSA63J-470X	MG RESISTOR		
	R3476	NRSA63J-470X	MG RESISTOR				R3627	NRSA63J-470X	MG RESISTOR		
	R3477	NRSA63J-470X	MG RESISTOR				R3628	NRSA63J-470X	MG RESISTOR		
	R3481	NRSA63J-101X	MG RESISTOR				R3629	NRSA63J-470X	MG RESISTOR		
	R3482	NRSA63J-101X	MG RESISTOR				R3701	NRSA63J-750X	MG RESISTOR		
	R3483	NRSA63J-101X	MG RESISTOR				R3702	NRSA63J-221X	MG RESISTOR		
	R3484	NRSA63J-101X	MG RESISTOR				R3703	NRSA63J-112X	MG RESISTOR		
	R3485	NRSA63J-332X	MG RESISTOR				R3704	NRSA63J-112X	MG RESISTOR		
	R3486	NRSA63J-561X	MG RESISTOR				R3705	NRSA63J-112X	MG RESISTOR		
	R3487	NRSA63J-561X	MG RESISTOR				R3706	NRSA63J-112X	MG RESISTOR		
	R3488	NRSA63J-221X	MG RESISTOR				R3707	NRSA63J-512X	MG RESISTOR		
	R3489	NRSA63J-221X	MG RESISTOR				R3708	NRSA63J-512X	MG RESISTOR		
	R3490	NRSA63J-221X	MG RESISTOR				R3709	NRSA63J-512X	MG RESISTOR		
	R3501	NRSA63J-473X	MG RESISTOR				R3710	NRSA63J-512X	MG RESISTOR		
	R3502	NRSA63J-470X	MG RESISTOR				R3721	NRSA63F-183X	MG RESISTOR		
	R3503	NRSA63J-470X	MG RESISTOR				R3722	NRSA63J-100X	MG RESISTOR		
	R3504	NRSA63J-470X	MG RESISTOR				R3723	NRSA63J-101X	MG RESISTOR		
	R3505	NRSA63J-470X	MG RESISTOR				R3724	NRSA63J-221X	MG RESISTOR		
	R3506	NRSA63J-473X	MG RESISTOR				R3725	NRSA63J-221X	MG RESISTOR		
	R3507	NRSA63J-473X	MG RESISTOR				R3726	NRSA63J-221X	MG RESISTOR		
	R3508	NRSA63J-473X	MG RESISTOR				R3727	NRSA63J-221X	MG RESISTOR		
	R3509	NRSA63J-473X	MG RESISTOR				R3735	NRSA63J-221X	MG RESISTOR		
	R3510	NRSA63J-473X	MG RESISTOR				R3801	NRSA63J-105X	MG RESISTOR		
	R3511	NRSA63J-473X	MG RESISTOR				R3802	NRSA63J-105X	MG RESISTOR		
	R3512	NRSA63J-473X	MG RESISTOR				R3803	NRSA63J-470X	MG RESISTOR		
	R3513	NRSA63J-473X	MG RESISTOR				R3805	NRSA63F-511X	MG RESISTOR		
	R3514	NRSA63J-473X	MG RESISTOR				R3806	NRSA63F-102X	MG RESISTOR		
	R3515	NRSA63J-473X	MG RESISTOR				R3807	NRSA63J-103X	MG RESISTOR		
	R3516	NRSA63J-473X	MG RESISTOR				R3811	NRSA63J-221X	MG RESISTOR		
	R3517	NRSA63J-473X	MG RESISTOR				R3812	NRSA63J-221X	MG RESISTOR		
	R3518	NRSA63J-473X	MG RESISTOR				R3813	NRSA63J-221X	MG RESISTOR		
	R3519	NRSA63J-473X	MG RESISTOR				R3814	NRSA63J-470X	MG RESISTOR		
	R3520	NRSA63J-101X	MG RESISTOR				R3815	NRSA63J-470X	MG RESISTOR		
	R3521	NRSA63J-103X	MG RESISTOR				R3816	NRSA63J-470X	MG RESISTOR		
	R3522	NRSA63J-103X	MG RESISTOR				R3920	NRSA63J-103X	MG RESISTOR		
	R3523	NRSA63J-103X	MG RESISTOR				R3921	NRSA63J-512X	MG RESISTOR		
	R3524	NRSA63J-103X	MG RESISTOR				R3922	NRSA63J-512X	MG RESISTOR		
	R3525	NRSA63J-103X	MG RESISTOR				R3923	NRSA63J-221X	MG RESISTOR		
	R3526	NRSA63J-470X	MG RESISTOR				R3924	NRSA63J-512X	MG RESISTOR		
	R3527	NRSA63J-470X	MG RESISTOR				R3925	NRSA63J-512X	MG RESISTOR		
	R3601	NRSA63J-473X	MG RESISTOR				R3926	NRSA63J-103X	MG RESISTOR		
	R3602	NRSA63J-470X	MG RESISTOR				R3927	NRSA63J-103X	MG RESISTOR		
	R3603	NRSA63J-470X	MG RESISTOR				R3928	NRSA63J-103X	MG RESISTOR		
	R3604	NRSA63J-470X	MG RESISTOR				R3929	NRSA63J-103X	MG RESISTOR		
	R3605	NRSA63J-470X	MG RESISTOR				R3930	NRSA63J-103X	MG RESISTOR		
	R3606	NRSA63J-473X	MG RESISTOR				R5001	NRSA63J-223X	MG RESISTOR		
	R3607	NRSA63J-473X	MG RESISTOR				R5002	NRSA63J-102X	MG RESISTOR		

■ Electrical parts list (DSP board)

Block No. 05

△	Item	Parts number	Parts name	Remarks	Area
	R5003	NRSA63J-153X	MG RESISTOR		
	R5004	NRSA63J-112X	MG RESISTOR		
	R5005	NRSA63J-222X	MG RESISTOR		
	R5006	NRSA63J-473X	MG RESISTOR		
	R5007	NRSA63J-105X	MG RESISTOR		
	R5008	NRSA63J-102X	MG RESISTOR		
	R5009	NRSA63J-473X	MG RESISTOR		
	R5010	NRSA63J-105X	MG RESISTOR		
	R5011	NRSA63J-102X	MG RESISTOR		
	R5012	NRSA63J-223X	MG RESISTOR		
	S1009	NSW0059-001X	TACT SWITCH		
	S1010	NSW0059-001X	TACT SWITCH		
	S1011	NSW0059-001X	TACT SWITCH		
	S1012	NSW0059-001X	TACT SWITCH		
	S1013	NSW0059-001X	TACT SWITCH		
	S1014	NSW0059-001X	TACT SWITCH		
	S1016	NSW0059-001X	TACT SWITCH		
	S1017	NSW0059-001X	TACT SWITCH		
	S1018	NSW0059-001X	TACT SWITCH		
	S1019	NSW0059-001X	TACT SWITCH		
	S1020	NSW0059-001X	TACT SWITCH		
	S1021	NSW0059-001X	TACT SWITCH		
	TP671	QMV5005-002K	2P PLUG ASSY		
	UN631	GP1FA550RZ	OPT RECEIVER		
	UN632	GP1FA550RZ	OPT RECEIVER		
	UN633	GP1FA550RZ	OPT RECEIVER		
	UN634	GP1FA550RZ	OPT RECEIVER		
	UN635	GP1FA550TZ	OPT TRANSMITTER		
	WR 54	QJK016-035203	SIN CR C-B WIRE		
	WR632	QJK016-153000	SIN CR C-B WIRE		
	X3001	NAX0435-001X	CRYSTAL		
	X3801	NAX0308-001X	RESONATOR		
	X3802	NAX0275-001X	1COSCIALLATOR		

■ Electrical parts list
(Thermal compensation board)

Block No. 06

△	Item	Parts number	Parts name	Remarks	Area
	CN701	QGA2501F1-03	CONNECTOR		
	CN702	QGA2501F1-03	CONNECTOR		
	CN703	QGA2501F1-03	CONNECTOR		
	CN704	QGA2501F1-03	CONNECTOR		
	CN705	QGA2501F1-03	CONNECTOR		
	CN706	QGA2501F1-03	CONNECTOR		
	CN707	QGA2501F1-03	CONNECTOR		
	C7191	QDVB1EZ-103Y	C CAPACITOR		
	C7192	QDVB1EZ-103Y	C CAPACITOR		
	C7193	QDVB1EZ-103Y	C CAPACITOR		
	C7194	QDVB1EZ-103Y	C CAPACITOR		
	C7195	QDVB1EZ-103Y	C CAPACITOR		
	C7196	QDVB1EZ-103Y	C CAPACITOR		
	C7197	QDVB1EZ-103Y	C CAPACITOR		
	Q7091	2SC3422/OY/	TRANSISTOR		
	Q7092	2SC3422/OY/	TRANSISTOR		
	Q7093	2SC3422/OY/	TRANSISTOR		
	Q7094	2SC3422/OY/	TRANSISTOR		
	Q7095	2SC3422/OY/	TRANSISTOR		
	Q7096	2SC3422/OY/	TRANSISTOR		
	Q7097	2SC3422/OY/	TRANSISTOR		

< MEMO >

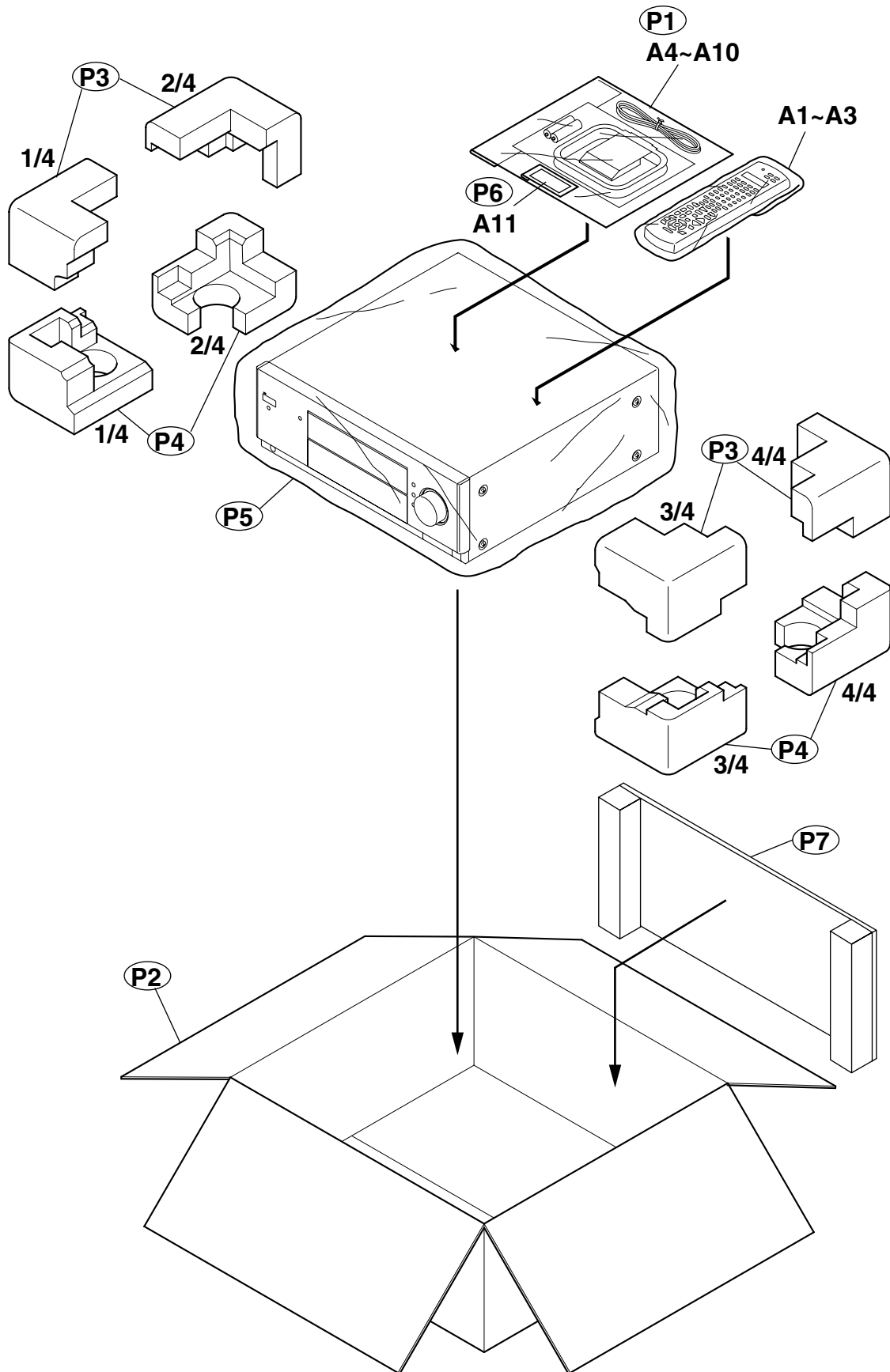
Packing materials and accessories parts list

Block No.

M	3	M	M
---	---	---	---

Block No.

M	5	M	M
---	---	---	---



■ Parts list (Packing)

Block No. M3MM

△	Item	Parts number	Parts name	Q'ty	Description	Area
	P 1	QPA02504505P	POLY BAG	1	INST BOOK	EN
		QPA02503505P	POLY BAG	1	INST BOOK	B,E
	P 2	LV21071-016A	CARTON BOX	1		B,E
		LV21071-015A	CARTON BOX	1		EN
	P 3	LV21069-001A	CUSHION	1		
	P 4	LV21070-001A	CUSHION	1		
	P 5	QPC08008015P	POLY BAG	1	SET	
	P 6	QPC00501205	POLY BAG	1	COVER	
	P 7	LV30385-008A	SHEET	1		

■ Parts list (Accessories)

Block No. M5MM

△	Item	Parts number	Parts name	Q'ty	Description	Area
	A 1	RM-SRXDP10R	REMOCON	1		
	A 2	LV42570-001A	SHEET	1		
	A 3	LV30256-007A	SHEET	1		
	A 4	LVT0722-007B	INST BOOK	1	SWE,FIN,DAN,GER	EN
		LVT0722-006A	INST BOOK	1	GER,FRE,DUT	E
		LVT0722-007B	INST BOOK	1	FRE,SPA,ITA	EN
		LVT0722-005A	INST BOOK	1	ENG	B
	A 5	VNA3000-204	REGIST.CARD	1		B
	A 6	E43486-340A	BS=SAFETY INST	1		B
	A 7	BT-54013-2	WARRANTY CARD	1		E
		BT-54008-2	WARRANTY CARD	1		B,EN
	A 8	-----	AL BATTERY	2		
	A 9	EWP503-001C	ANT.WIRE	1		
	A 10	QAL0204-001	AM LOOP ANT	1		
	A 11	LV32823-001A	COVER ASSY	1		